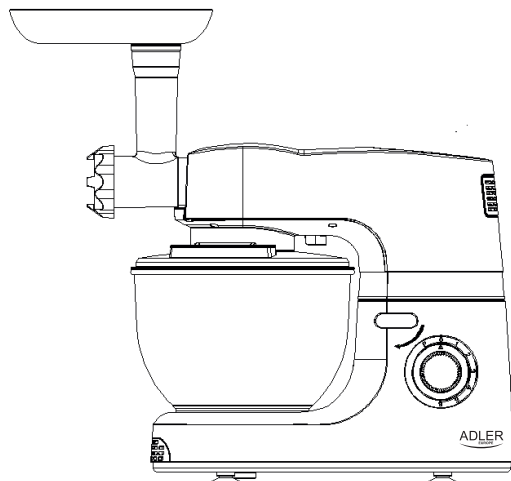


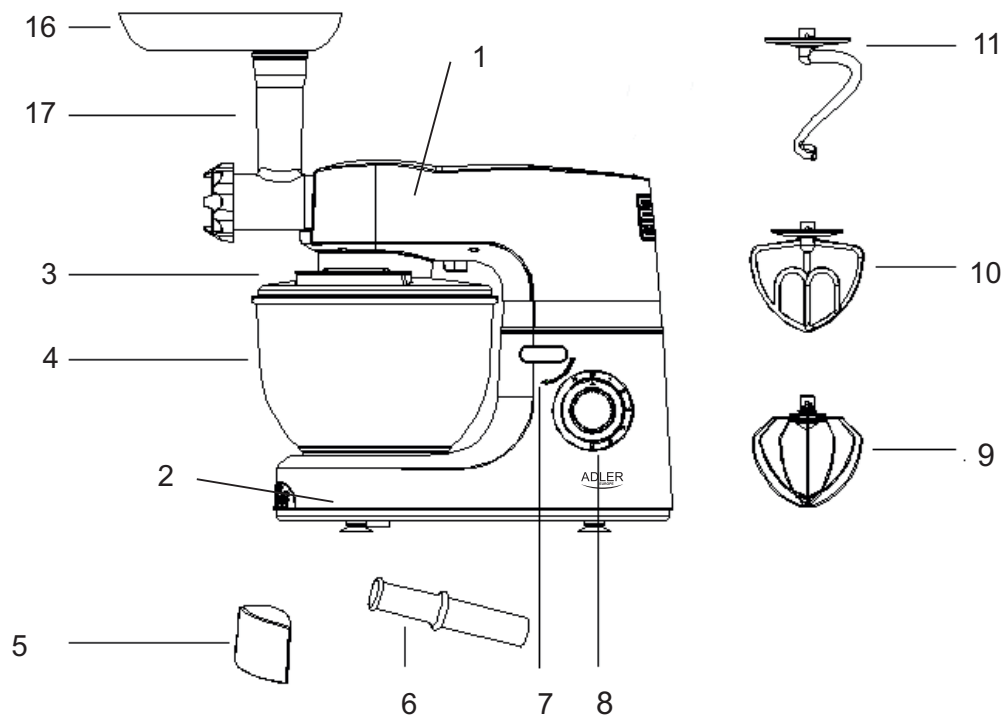
# ADLER

EUROPE

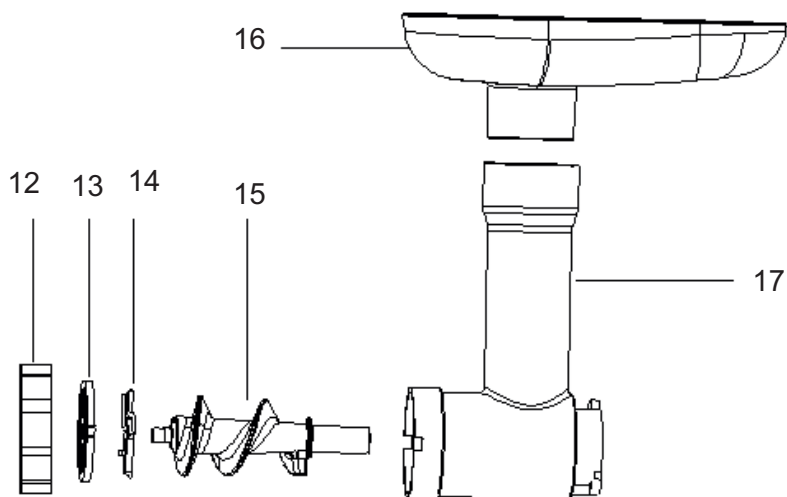


## AD 4221

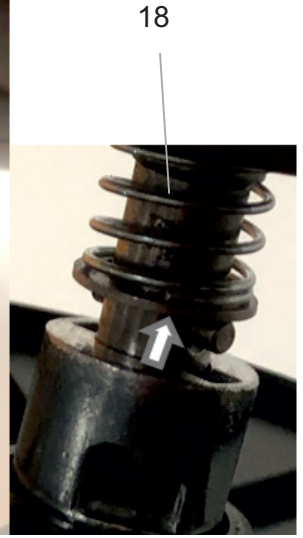
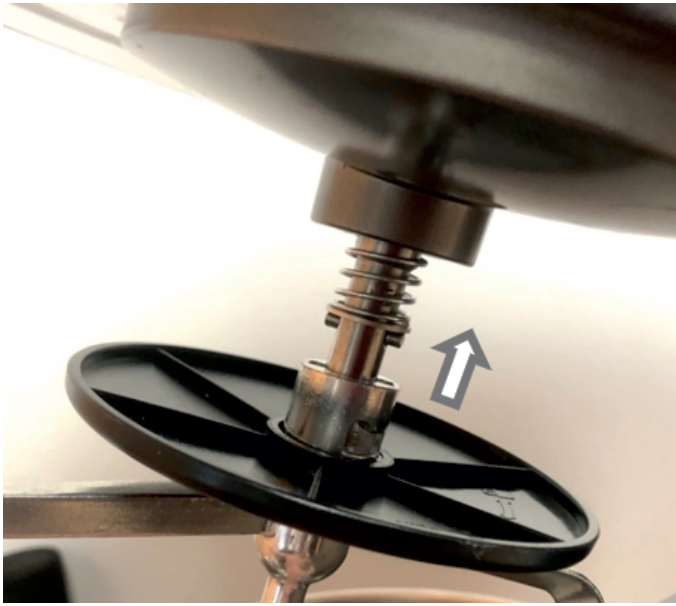
|  |                                     |
|--|-------------------------------------|
| (GB) user manual - 5                   | (D) bedienungsanweisung - 8         |
| (F) mode d'emploi - 11                 | (E) manual de uso - 14              |
| (P) manual de serviço - 17             | (LT) naudojimo instrukcija - 20     |
| (LV) lietošanas instrukcija - 23       | (EST) kasutusjuhend - 26            |
| (H) felhasználói kézikönyv - 36        | (BIH) upute za rad - 33             |
| (RO) Instrucțiunea de deservire - 29   | (CZ) návod k obsluze - 45           |
| (RUS) инструкция обслуживания - 76     | (GR) οδηγίες χρήσεως - 53           |
| (MK) упатство за корисникот - 67       | (NL) handleiding - 72               |
| (SLO) navodila za uporabo - 42         | (FIN) manwal ng pagtuturo - 38      |
| (PL) instrukcja obsługi - 120          | (I) istruzioni operative - 63       |
| (HR) upute za uporabu - 58             | (S) instruktionsbok - 81            |
| (DK) brugsanvisning - 49               | (UA) інструкція з експлуатації - 94 |
| (SR) Корисничко упутство - 89          | (SK) Používateľská príručka - 85    |
| (AR) دليل التعليمات - 99               | (BG) Инструкция за употреба - 102   |
| (AZ) İstifadəyə dair göstərişlər - 106 | (ALB) Udhëzime për përdorim - 110   |
| (KA) ინსტრუქცია - 113                  |                                     |



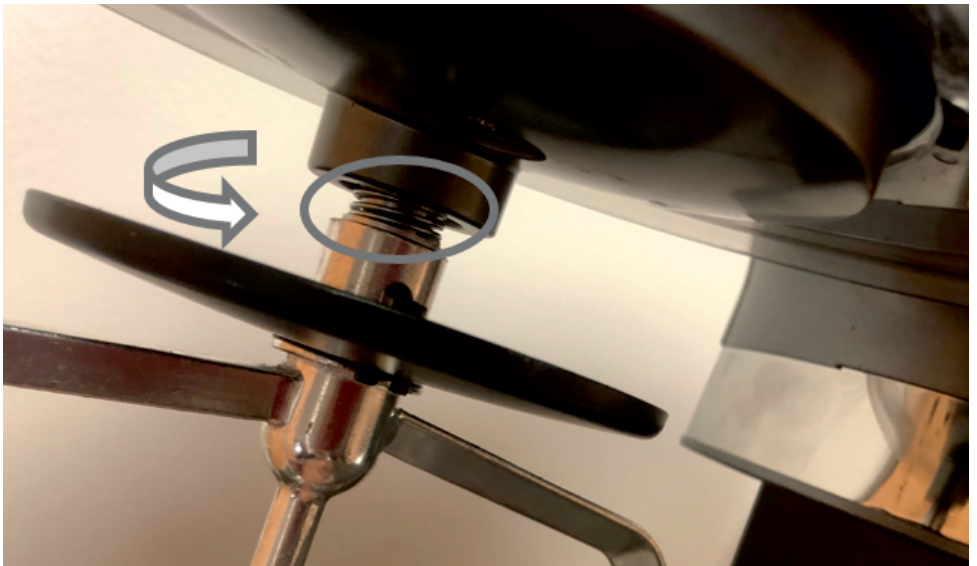
1.



2.



A.



B.

C.



D1.



D2.



D3.



D4.

SAFETY CONDITIONS. IMPORTANT INSTRUCTIONS ON SAFETY OF USE  
PLEASE READ CAREFULLY AND KEEP FOR FUTURE REFERENCE

The warranty conditions are different, if the device is used for commercial purpose.

1. Before using the product please read carefully and always comply with the following instructions. The manufacturer is not responsible for any damages due to any misuse.
2. The product is only to be used indoors. Do not use the product for any purpose that is not compatible with its application.
3. The device voltage is 220-240V, ~50/60Hz. For safety reasons it is not appropriate to connect multiple devices to one power outlet.
4. Please be cautious when using around children. Do not let the children to play with the product. Do not let children or people who do not know the device to use it without supervision.
5. **WARNING:** This device may be used by children over 8 years of age and persons with reduced physical, sensory or mental capabilities, or persons without experience or knowledge of the device, only under the supervision of a person responsible for their safety, or if they were instructed on the safe use of the device and are aware of the dangers associated with its operation. Children should not play with the device. Cleaning and maintenance of the device should not be carried out by children, unless they are over 8 years of age and these activities are carried out under supervision.
6. After you are finished using the product always remember to gently remove the plug from the power outlet holding the outlet with your hand. Never pull the power cable!!!
7. Never leave the product connected to the power source without supervision. Even when use is interrupted for a short time, turn it off from the network, unplug the power.
8. Never put the power cable, the plug or the whole device into the water. Never expose the product to the atmospheric conditions such as direct sun light or rain, etc.. Never use the product in humid conditions.
9. Periodically check the power cable condition. If the power cable is damaged the product should be turned to a professional service location to be replaced in order to avoid hazardous situations.
10. Never use the product with a damaged power cable or if it was dropped or damaged in any other way or if it does not work properly. Do not try to repair the defected product yourself because it can lead to electric shock. Always turn the damaged device to a professional service location in order to repair it. All the repairs can be done only by authorized service professionals. The repair that was done incorrectly can cause hazardous situations for the user.
11. Never put the product on or close to the hot or warm surfaces or the kitchen appliances like the electric oven or gas burner.
12. Never use the product close to combustibles.
13. Do not let cord hang over edge of counter or touch hot surfaces.
14. In order to provide additional protection, it is recommended to install residue current device (RCD) in the power circuit, with residual current rating not more than 30 mA. Contact professional electrician in this matter.
15. The device is not intended for industrial food processing.
16. Do not immerse the motor unit in water. Do not wash in dishwashers. Do not expose the device and its accessories to high temperatures (above 60°C).
17. Before cleaning and removing accessories set the speed control to "0" position and

unplug the power cable.

18. Before operating the device check if all parts and accessories are properly mounted:
  - planetary food processor: ensure the attachment is fully inserted into the socket, otherwise your mixing result may be affected.
  - meat grinder: the grinding assembly needs to be carefully assembled. Inaccurate assembly can cause poor grinding performance and knife and hole plate blunting.
19. Use only original accessories supplied with the meat grinder and planetary food processor.
20. Do not overload the device with excess product or shoving the product in too hard. Use only the pusher for shoving the product in. Using other object can damage the meat grinder.
22. The meat to be ground should be free of bones, gristles, tendons or veins. Cut the bigger parts into pieces.
23. Do not cover the ventilation holes in the housing while the device is on.
24. Do not grind dry poppy seed. The poppy seed needs to be steamed and soaked before grinding.
25. Do not exceed  $\frac{3}{4}$  bowl high when fill up by food ingredients.
26. Store the device out of the reach of children.

Product description: Multifunction Planetary food processor AD4221

- |                          |   |
|--------------------------|---|
| 1. Housing arm           | 2. Motor housing                        |
| 3. Anti-splash cover     | 4. Mixing bowl 7,0 liters               |
| 5. Front cover of mincer | 6. Plastic pusher                       |
| 7. Tilt knob             | 8. Speed control knob                   |
| 9. Egg whisk             | 10. Mixing beater                       |
| 11. Dough hook           | 12. Fixing nut                          |
| 13. Sieves 3, 5, 7mm     | 14. Mincing cross blade                 |
| 15. Worm gear            | 16. Mincing tray                        |
| 17. Mincing chamber      | 18. Mixer's attachment nest with spring |

#### BEFORE FIRST USING

1. All parts of the device are to be thoroughly cleaned before being used for the first time. See section: "Cleaning and Maintenance".
  2. Stand the device on a horizontal and flat surface.
  3. Never operate the device without the supervision.
  4. Do not touch moving parts with your fingers. Let the rotating accessories to stop before open the bowl.
- WARNING: DO NOT USE MIXING AND MINCING FUNCTIONS AT THE SAME TIME !! ONLY USE ONE OF THEM.**
- When using mixing function the front cover (5) should be located at its position.
  - When using mincing function the bowl (4) with anti-splash cover (3) should be located at their position to protect end user against rotation of the mixer's attachment nest with spring (18).
5. Switch off the device and disconnect from supply before changing accessories.

#### ASSEMBLY WAY: Mixer function

Before assembling the food processor, be sure the power cord unplugged from the power outlet and the speed control knob is on the "0" position.

1. Place the bowl in the motor unit, then turn it clockwise until you feel it cannot move any further to the left. The bowl is blocked.
2. Choose proper attachment to required operation:
  - Egg whisk (9) for whipping: egg whites, cake creams, whipped cream, etc.
  - Mixing beater (10) for mixing light mixtures: mayonnaise, pancake batter, sponge cake, etc.
  - Dough hook (11) for kneading heavy dough: bread dough, yeast dough, etc.
3. Put the proper attachment (9 or 10 or 11) on the bolt of the mixer's attachment nest with spring (18). Adjust the position of two protrude metal elements to come inside concave places of the mixer's attachment nest with spring (18) – look at picture A. Push the attachment upwards until the spring is fully compressed, turn fully clockwise and release – look at picture B.
4. Put food ingredients into the bowl and press the tilt knob (7) down side to close the housing arm (1).
5. Plug in the device and rotate the speed knob (8) for required speed. The speed 0 means motor stopped, the speed 1 means slowest speed, the speed 6 means maximum rotation. P – means Pulse mode, it means pulse rotating of gears when the knob (8) is kept at Pulse position.
6. After use switch off the device by rotate the speed knob (8) to position 0 and plug off the device.
7. Press the tilt knob (7) down side to lift the housing arm (1). If mixed mixture is correct, take away the attachment. To take away the attachment, lift it a little to compress the spring completely, then turn left side whole attachment and pull it down.
8. Turn the bowl (4) counterclockwise and remove it from the motor housing (2) by keeping with both hands. Remember the bowl can be heavy.

#### ASSEMBLY WAY: Grinder function

1. Place the bowl (4) on the motor housing (2) and close the housing arm (1) by pressing the tilt knob (7). Do not assemble any attachments inside the bowl (4). It is needed to protect you against rotating of the mixer's attachment nest with spring (18). It is normal the mixer's attachment nest with spring (18) is rotating inside the bowl when using the mincer.
  2. Take away the front cover (5) to set up the grinder.
  3. Inside mincing chamber (17) place the worm gear (15), next place the mincing cross blade (14) correct. Take attention to place it correct side, same as shown at picture C. Next, place the proper sieve (13) and LIGHTLY screw the fixing nut (12) in the end.
- REMARK: the fixing nut (12) has to be screwed LIGHTLY BEFORE assemble the whole mincing unit to the motor housing (2). It is needed to adjust the position of hexagonal hole (picture D1) in mincing unit to the hexagonal shaft in motor housing (2).
4. Place the mincer's unit in the position shown at picture D3 (slope position), push it inside the motor housing (2) and turn left to vertical position shown at picture D4. The black round button close to the mincer's unit will come back to protrude position. Screw the fixing nut (12) tightly now.
  5. Mount the mincing tray (16) on the top of the mincing chamber (17).
  6. To dismantle the mincer's unit, press the black round button act in the reverse order.

#### USAGE: Mixer function

- Kneading heavy dough (bread dough, yeast dough, etc.)  
Assemble the dough hook (11). Put food ingredients inside the bowl. Suggested flour and water ration is: 5:3. Maximum flour quantity: 1500g. It is recommended to start kneading at speed 1 or 2 for not longer than 20 seconds continuously operation. Next, set up the speed 3 and operate not longer than 4 minutes continuously at a time.
- Mixing light mixtures (mayonnaise, pancake batter, sponge cake, etc.)  
Assemble the mixing beater (10). Put food ingredients inside the bowl to max ¾ high of the bowl. Switch on speed 3-4 and mix as long need to achieve desired density. Use not longer than 4 minutes continuously at a time.
- Whipping (egg whites, cake creams, whipped cream, etc.)  
Assemble the egg whisk (9).  
For egg whites whipping: Put egg whites inside the bowl to max 24 eggs. Switch on speed 4-6 and mix, about 5 minutes until stiff. Mixing time depends of the size of eggs.  
For whipped cream: put at least 250ml of fresh cream (previously chilled in a refrigerator for at least 8 hours).. Mix it at speed 4 to 6 for about 5 minutes. Do not exceed the quantity of ½ high of the bowl of poured fresh cream to keep enough space for whipped cream.

#### USAGE: Grinder function

1. Cut all foods into pieces (sinewless, boneless and fatless beef or pork is recommended, approximately size: (20 mm x 20 mm x 60 mm,) so that they fit easily into the mincing tube (17).
  2. Plug in the device and switch on and then turn the speed control knob (8) to 4-6 speeds.
  3. Feed food into the mincing tray (16). Use for it only the plastic pusher (6).
  4. After use switch the device off and unplug it from the power supply.
  5. Use no longer than 4 minutes continuously at a time.
  6. The device is equipped in 3 sieves with holes diameter 3mm, 5mm and 7mm, chose suitable hole plate to your desired dish.
- 3 mm sieve - fine mesh for grinding to a fairly compact, uniform consistency. Perfect for stuffing and pâté.
  - 5 mm strainer - medium mesh for grinding meat for minced outlets, burgers, meatballs and fillings for dumplings, pancakes and tortillas. By using this strainer you can also grind vegetables, hard cheese and even nuts.
  - 7 mm strainer - thick mesh for grinding meat with a distinct structure. The strainer is intended for the production of sausages and giblets.

#### OVERHEAT PROTECTION DEVICE

The device will switch off automatically after 15 minutes of continuous operation to protect the motor against overheating. There is need to plug off the device and let it cool down before next use. The device when cooled down will operate normally.

#### CLEANING AND MAINTENANCE

1. Before cleaning the device, be sure the power cord unplugged from the power outlet and the speed control knob is on the "0" position. Let the device cools down before cleaning.
2. Disassemble all accessories from motor housing (2). Do not clean the accessories while mounted on the machine's drive assembly.
3. Don't use aggressive detergents to clean the motor housing (2), as it may remove the informational graphic symbols such as: scale, signs, safety marks, etc.
4. Do not wash the metal parts in dishwashers. Aggressive cleaning agents used in dishwashers cause the metal parts to turn black. Handwash the metal parts using traditional washing-up liquid. Use soft brush.
5. Wipe the external parts with kitchen towel or soft cloth.
6. Do not use abrasive materials to clean the device.
7. Don't immerse the motor housing (1) in water or other liquids.

#### TECHNICAL DATA

Power supply: 220-240V ~50/60Hz

Power: 1200W

Max Power: 2200W

Stainless steel bowl 7 liters

Max operation time in one cycle: 15 minutes.

Minimum rest time between cycles: 10 minutes at least.



To protect your environment: please separate carton boxes and plastic bags and dispose them in corresponding waste bins. Used appliance should be delivered to the dedicated collecting points due to hazardous components, which may affect the environment. Do not dispose this appliance in the common waste bin.

**SICHERHEITSBEDINGUNGEN. WICHTIGE HINWEISE ZUR SICHERHEIT DES GEBRAUCHS****BITTE SORGFÄLTIG LESEN UND FÜR ZUKÜNFTIGE BEZUG AUFBEWAHREN**

Die Garantiebedingungen gelten abweichend, wenn das Gerät gewerblich genutzt wird.

1. Bitte lesen Sie vor der Verwendung des Produkts die folgenden Anweisungen sorgfältig durch und befolgen Sie sie immer. Der Hersteller haftet nicht für Schäden durch Missbrauch.

2. Das Produkt darf nur in Innenräumen verwendet werden. Verwenden Sie das Produkt nicht für einen Zweck, der nicht mit seiner Anwendung kompatibel ist.

3. Die Gerätespannung beträgt 220-240V, ~50/60Hz. Aus Sicherheitsgründen ist es nicht sinnvoll, mehrere Geräte an eine Steckdose anzuschließen.

4. Bitte seien Sie vorsichtig, wenn Sie in der Nähe von Kindern verwenden. Lassen Sie die Kinder nicht mit dem Produkt spielen. Lassen Sie Kinder oder Personen, die das Gerät nicht kennen, es nicht ohne Aufsicht benutzen.

5. **WARNUNG:** Dieses Gerät darf von Kindern über 8 Jahren und Personen mit eingeschränkten physischen, sensorischen oder geistigen Fähigkeiten oder Personen ohne Erfahrung oder Kenntnis des Geräts nur unter Aufsicht einer für ihre Sicherheit verantwortlichen Person verwendet werden, oder wenn sie in den sicheren Umgang mit dem Gerät eingewiesen wurden und sich der Gefahren bewusst sind, die mit dem Betrieb verbunden sind. Kinder sollten nicht mit dem Gerät spielen. Die Reinigung und Wartung des Gerätes sollte nicht von Kindern durchgeführt werden, es sei denn, sie sind über 8 Jahre alt und diese Tätigkeiten werden unter Aufsicht durchgeführt.

6. Denken Sie nach Beendigung der Verwendung des Produkts immer daran, den Stecker vorsichtig aus der Steckdose zu ziehen, indem Sie die Steckdose mit der Hand halten. Ziehen Sie niemals am Netzkabel!!!

7. Lassen Sie das Produkt niemals ohne Aufsicht an die Stromquelle angeschlossen. Auch wenn die Nutzung für kurze Zeit unterbrochen wird, schalten Sie es vom Netzwerk aus, ziehen Sie den Netzstecker.

8. Niemals das Netzkabel, den Stecker oder das ganze Gerät ins Wasser tauchen. Setzen Sie das Produkt niemals atmosphärischen Bedingungen wie direkter Sonneneinstrahlung oder Regen usw. aus. Verwenden Sie das Produkt niemals unter feuchten Bedingungen.

9. Überprüfen Sie regelmäßig den Zustand des Netzkabels. Wenn das Netzkabel beschädigt ist, sollte das Produkt zum Austausch an eine Fachwerkstatt übergeben werden, um gefährliche Situationen zu vermeiden.

10. Verwenden Sie das Produkt niemals mit einem beschädigten Netzkabel oder wenn es heruntergefallen oder auf andere Weise beschädigt wurde oder wenn es nicht richtig funktioniert. Versuchen Sie nicht, das defekte Produkt selbst zu reparieren, da dies zu einem Stromschlag führen kann. Bringen Sie das beschädigte Gerät immer zu einer Fachwerkstatt, um es reparieren zu lassen. Alle Reparaturen dürfen nur von autorisierten Servicetechnikern durchgeführt werden. Die unsachgemäß durchgeführte Reparatur kann zu gefährlichen Situationen für den Benutzer führen.

11. Stellen Sie das Produkt niemals auf oder in die Nähe von heißen oder warmen Oberflächen oder Küchengeräten wie Elektroherd oder Gasbrenner.

12. Verwenden Sie das Produkt niemals in der Nähe von brennbaren Stoffen.

13. Lassen Sie das Kabel nicht über die Kante der Theke hängen oder heiße Oberflächen berühren.

14. Um zusätzlichen Schutz zu bieten, wird empfohlen, einen Fehlerstromschutzschalter (RCD) im Stromkreis mit einem Fehlerstromwert von nicht mehr als 30 mA zu installieren. Wenden Sie sich in dieser Angelegenheit an einen Elektrofachmann.

15. Das Gerät ist nicht für die industrielle Lebensmittelverarbeitung bestimmt.



16. Tauchen Sie die Motoreinheit nicht in Wasser. Nicht in Spülmaschinen waschen. Setzen Sie das Gerät und sein Zubehör keinen hohen Temperaturen (über 60°C) aus.
17. Bevor Sie Zubehör reinigen und entfernen, stellen Sie den Geschwindigkeitsregler auf Position „0“ und ziehen Sie das Netzkabel ab.
18. Bevor Sie das Gerät in Betrieb nehmen, prüfen Sie, ob alle Teile und Zubehörteile richtig montiert sind:
  - Planeten-Küchenmaschine: Stellen Sie sicher, dass der Aufsatz vollständig in die Buchse eingesteckt ist, da sonst Ihr Rührergebnis beeinträchtigt werden kann.
  - Fleischwolf: Die Mahleinheit muss sorgfältig zusammengebaut werden. Eine ungenaue Montage kann zu schlechter Schleifleistung und zum Abstumpfen von Messer und Lochplatte führen.
19. Verwenden Sie nur Originalzubehör, das mit dem Fleischwolf und der Planeten-Küchenmaschine geliefert wurde.
20. Überladen Sie das Gerät nicht mit überschüssigem Produkt oder schieben Sie das Produkt nicht zu stark ein. Verwenden Sie zum Einschieben des Produkts nur den Stopfer. Die Verwendung anderer Gegenstände kann den Fleischwolf beschädigen.
22. Das zu zerkleinernde Fleisch sollte frei von Knochen, Knorpeln, Sehnen oder Adern sein. Schneiden Sie die größeren Teile in Stücke.
23. Decken Sie die Belüftungsöffnungen im Gehäuse nicht ab, während das Gerät eingeschaltet ist.
24. Mahlen Sie keinen trockenen Mohn. Der Mohn muss vor dem Mahlen gedämpft und eingeweicht werden.
25. Überschreiten Sie nicht die Höhe von  $\frac{3}{4}$  Schüssel, wenn Sie sich mit Lebensmittلزutaten füllen.
26. Bewahren Sie das Gerät außerhalb der Reichweite von Kindern auf.

Produktbeschreibung: Multifunktions-Planeten-Küchenmaschine Ad4221

- |                                    |                                       |
|------------------------------------|---------------------------------------|
| 1. Gehäusearm                      | 2. Motorgehäuse                       |
| 3. Spritzschutzdeckel              | 4. Rührschüssel 7,0 Liter             |
| 5. Frontabdeckung des Fleischwolfs | 6. Kunststoffschieber                 |
| 7. Neigungsknopf                   | 8. Geschwindigkeitsregler             |
| 9. Schneebesen                     | 10. Rührbesen                         |
| 11. Knethaken                      | 12. Befestigungsmutter                |
| 13. Siebe 3, 5, 7 mm               | 14. Zerkleinerungskreuzmesser         |
| 15. Schneckengetriebe              | 16. Fleischwolf                       |
| 17. Zerkleinerungskammer           | 18. Aufsatznest für Mischer mit Feder |

#### VOR DER ERSTEN VERWENDUNG

1. Alle Teile des Gerätes sind vor der ersten Inbetriebnahme gründlich zu reinigen. Siehe Abschnitt: „Reinigung und Wartung“.
  2. Stellen Sie das Gerät auf eine horizontale und ebene Fläche.
  3. Betreiben Sie das Gerät niemals ohne Aufsicht.
  4. Berühren Sie keine beweglichen Teile mit den Fingern. Lassen Sie das rotierende Zubehör stehen, bevor Sie die Schüssel öffnen.
- WARNUNG: VERWENDEN SIE NICHT DIE FUNKTIONEN MISCHEN UND WACKEN GLEICHZEITIG !! VERWENDEN SIE NUR EINEN.**
- Bei Verwendung der Mischfunktion sollte sich die Frontabdeckung (5) an ihrer Position befinden.
  - Bei Verwendung der Zerkleinerungsfunktion sollte sich die Schüssel (4) mit Spritzschutzdeckel (3) an ihrer Position befinden, um den Endverbraucher gegen das Drehen des Aufsatznests des Mixers mit Feder (18) zu schützen.
5. Schalten Sie das Gerät aus und trennen Sie es von der Stromversorgung, bevor Sie Zubehör wechseln.

#### MONTAGEWEG: Mixer-Funktion

Stellen Sie vor dem Zusammenbau der Küchenmaschine sicher, dass das Netzkabel aus der Steckdose gezogen ist und sich der Geschwindigkeitsregler auf der Position „0“ befindet.

1. Setzen Sie die Schüssel in die Motoreinheit und drehen Sie sie dann im Uhrzeigersinn, bis Sie spüren, dass sie sich nicht weiter nach links bewegen kann. Die Schüssel ist blockiert.
2. Wählen Sie die richtige Befestigung für den erforderlichen Betrieb:
  - Schneebesen (9) zum Schlagen von: Eiweiß, Kuchencreme, Schlagsahne usw.
  - Rührbesen (10) zum Mischen von leichten Mischungen: Mayonnaise, Pfannkuchenteig, Biskuitkuchen usw.
  - Knethaken (11) zum Kneten von schweren Teigen: Brotteig, Hefeteig usw.
3. Setzen Sie den passenden Aufsatz (9 oder 10 oder 11) auf den Bolzen des Befestigungsnecks des Mixers mit Feder (18). Stellen Sie die Position zweier hervorstehender Metallelemente so ein, dass sie mit der Feder (18) in die konkaven Stellen des Aufsatznests des Mixers kommen – siehe Bild A. Drücken Sie den Aufsatz nach oben, bis die Feder vollständig zusammengedrückt ist, drehen Sie ihn vollständig im Uhrzeigersinn und lassen Sie ihn los – siehe Bild B.
4. Geben Sie Lebensmittلزutaten in die Schüssel und drücken Sie den Kippknopf (7) nach unten, um den Gehäusearm (1) zu schließen.
5. Stecken Sie das Gerät ein und drehen Sie den Geschwindigkeitsknopf (8) auf die gewünschte Geschwindigkeit. Geschwindigkeit 0 bedeutet Motor gestoppt, Geschwindigkeit 1 bedeutet langsamste Geschwindigkeit, Geschwindigkeit 6 bedeutet maximale Rotation. P – bedeutet Puls-Modus, bedeutet Puls-Drehen der Zahnräder, wenn der Knopf (8) in der Puls-Position gehalten wird.
6. Schalten Sie das Gerät nach Gebrauch aus, indem Sie den Geschwindigkeitsknopf (8) auf Position 0 drehen und das Gerät

ausstecken.

7. Drücken Sie den Kippknopf (7) nach unten, um den Gehäusearm (1) anzuheben. Wenn die gemischte Mischung richtig ist, nehmen Sie den Aufsatz weg. Um den Aufsatz zu entfernen, heben Sie ihn ein wenig an, um die Feder vollständig zusammenzudrücken, drehen Sie dann den gesamten Aufsatz nach links und ziehen Sie ihn nach unten.

8. Drehen Sie die Schüssel (4) gegen den Uhrzeigersinn und nehmen Sie sie mit beiden Händen vom Motorgehäuse (2) ab. Denken Sie daran, dass die Schüssel schwer sein kann.

#### MONTAGE WEG: Grinder-Funktion

1. Setzen Sie die Schüssel (4) auf das Motorgehäuse (2) und schließen Sie den Gehäusearm (1) durch Drücken des Kippknopfes (7). Montieren Sie keine Aufsätze am Inneren der Schüssel (4). Es ist notwendig, Sie mit der Feder (18) gegen das Verdrehen des Befestigungsneests des Mixers zu schützen. Es ist normal, dass sich das Aufsatznest des Mixers mit der Feder (18) in der Schüssel dreht, wenn der Fleischwolf verwendet wird.

2. Zum Aufstellen des Mahlwerks die Frontabdeckung (5) abnehmen.

3. Platzieren Sie in der Hackkammer (17) das Schneckenrad (15), dann setzen Sie das Hackmesser (14) richtig ein. Achten Sie auf die richtige Seite, wie in Bild C gezeigt. Setzen Sie dann das richtige Sieb (13) ein und schrauben Sie die Befestigungsmutter (12) LEICHT am Ende fest.

ANMERKUNG: Die Befestigungsmutter (12) muss LEICHT angeschraubt werden, BEVOR das gesamte Zerkleinerungsaggregat am Motorgehäuse (2) montiert wird. Es ist erforderlich, die Position des Sechskantlochs (Bild D1) im Fleischwolf auf die Sechskantwelle im Motorgehäuse (2) anzupassen.

4. Stellen Sie die Fleischwolfeneinheit in die in Bild D3 gezeigte Position (schräge Position), schieben Sie sie in das Motorgehäuse (2) und drehen Sie sie nach links in die in Bild D4 gezeigte vertikale Position. Der schwarze runde Knopf in der Nähe des Fleischwolfs kehrt in die hervorstehende Position zurück. Schrauben Sie nun die Befestigungsmutter (12) fest.

5. Montieren Sie das Zerkleinerungsblech (16) oben auf der Zerkleinerungskammer (17).

6. Um die Fleischwolfeneinheit zu demontieren, drücken Sie den schwarzen runden Knopf in umgekehrter Reihenfolge.

#### VERWENDUNG: Mixer-Funktion

• Kneten von schwerem Teig (Brotteig, Hefeteig, etc.)

Den Knehtaken (11) zusammenbauen. Geben Sie Lebensmittelzutaten in die Schüssel. Das empfohlene Mehl- und Wasserverhältnis ist: 5:3. Maximale Mehlmenge: 1500g. Es wird empfohlen, mit dem Kneten bei Geschwindigkeit 1 oder 2 für nicht länger als 20 Sekunden Dauerbetrieb zu beginnen. Stellen Sie als nächstes die Geschwindigkeit 3 ein und betreiben Sie nicht länger als 4 Minuten am Stück.

• Mischen von leichten Mischungen (Mayonnaise, Pfannkuchenteig, Biskuitkuchen usw.)

Montieren Sie den Mischrührer (10). Geben Sie Lebensmittelzutaten in die Schüssel bis maximal  $\frac{3}{4}$  Höhe der Schüssel. Schalten Sie Geschwindigkeit 3-4 ein und mischen Sie so lange, bis die gewünschte Dichte erreicht ist. Nicht länger als 4 Minuten am Stück verwenden.

• Schlagen (Eiweiß, Kuchencreme, Schlagsahne usw.)

Montieren Sie den Schneebesen (9).

Für das Schlagen von Eiweiß: Geben Sie das Eiweiß in die Schüssel, bis maximal 24 Eier vorhanden sind. Geschwindigkeit 4-6 einschalten und ca. 5 Minuten steif mischen. Die Mischzeit hängt von der Größe der Eier ab.

Für Schlagsahne: Geben Sie mindestens 250 ml frische Sahne (zuvor für mindestens 8 Stunden im Kühlschrank gekühlt). Mischen Sie sie auf Stufe 4 bis 6 für etwa 5 Minuten. Überschreiten Sie nicht die Menge von  $\frac{1}{2}$  Höhe der Schüssel mit eingegossener frischer Sahne, um genügend Platz für die Schlagsahne zu haben.

#### VERWENDUNG: Grinder-Funktion

1. Schneiden Sie alle Lebensmittel in Stücke (empfohlen wird sehnens-, knochen- und fettreife Rind- oder Schweinefleisch, ungefähre Größe: (20 mm x 20 mm x 60 mm), damit sie leicht in das Fleischwolfrohr (17) passen.

2. Stecken Sie das Gerät ein und schalten Sie es ein und drehen Sie dann den Geschwindigkeitsregler (8) auf 4-6 Geschwindigkeiten.

3. Füttern Sie das Futter in das Fleischwolf-Tablett (16). Verwenden Sie dazu nur den Kunststoffschieber (6).

4. Schalten Sie das Gerät nach Gebrauch aus und trennen Sie es vom Stromnetz.

5. Nicht länger als 4 Minuten am Stück verwenden.

6. Das Gerät ist ausgestattet mit 3 Sieben mit Lochdurchmesser 3mm, 5mm und 7mm, wählen Sie passende Lochplatte zu Ihrem gewünschten Gericht.

- 3 mm Sieb - feinstmaschig zum Mahlen zu einer relativ kompakten, gleichmäßigen Konsistenz. Perfekt zum Füllen und Pasteten.

- 5 mm Sieb - mittlere Maschenweite zum Zerkleinern von Fleisch für Hackschnitzel, Burger, Frikadellen und Füllungen für Knödel, Pfannkuchen und Tortillas. Mit diesem Sieb können Sie auch Gemüse, Hartkäse und sogar Nüsse mahlen.

- 7 mm Sieb - dickes Sieb zum Zerkleinern von Fleisch mit einer ausgeprägten Struktur. Das Sieb ist für die Herstellung von Würsten und Innereien bestimmt.

#### ÜBERHITZUNGSSCHUTZVORRICHTUNG

Das Gerät schaltet sich nach 15 Minuten Dauerbetrieb automatisch ab, um den Motor vor Überhitzung zu schützen. Vor dem nächsten Gebrauch muss das Gerät vom Stromnetz getrennt und abgekühlt werden. Nach dem Abkühlen funktioniert das Gerät normal.

#### REINIGUNG UND INSTANDHALTUNG

1. Bevor Sie das Gerät reinigen, vergewissern Sie sich, dass das Netzkabel aus der Steckdose gezogen ist und sich der Geschwindigkeitsregler auf der Position „0“ befindet. Lassen Sie das Gerät vor der Reinigung abkühlen.

2. Demontieren Sie alle Zubehörteile vom Motorgehäuse (2). Reinigen Sie das Zubehör nicht, während es an der Antriebsbaugruppe der Maschine montiert ist.

3. Verwenden Sie keine aggressiven Reinigungsmittel zum Reinigen des Motorgehäuses (2), da dadurch die grafischen Informationssymbole wie: Skala, Schilder, Sicherheitsmarkierungen usw. entfernt werden können.

4. Waschen Sie die Metallteile nicht in Spülmaschinen. Aggressive Reinigungsmittel in Geschirrspülmern lassen die Metallteile schwarz werden. Waschen Sie die Metallteile von Hand mit einem herkömmlichen Spülmittel. Verwenden Sie eine weiche Bürste.

5. Wischen Sie die äußeren Teile mit einem Küchentuch oder einem weichen Tuch ab.

6. Verwenden Sie keine scheuernden Materialien, um das Gerät zu reinigen.

7. Tauchen Sie das Motorgehäuse (2) nicht in Wasser oder andere Flüssigkeiten.

#### TECHNISCHE DATEN

Stromversorgung: 220-240V ~50/60Hz

Leistung: 1200W

Maximale Leistung: 2200W

Edelstahlschüssel 7 Liter  
Maximale Betriebszeit in einem Zyklus: 15 Minuten.  
Mindestruhezeit zwischen den Zyklen: mindestens 10 Minuten.



Den Pappkarton im Altpapier entsorgen. Polyäthylenbeutel (PE) in dem Behälter für Kunststoff entsorgen. Das abgenutzte Gerät zum Recycling zu einer offiziellen Sammelstelle bringen, da es gefährliche Substanzen enthält, die die Umwelt gefährden können. Das Gerät sollte in einer Form abgegeben werden, die eine weitere Nutzung unmöglich macht. Wenn es Batterien enthält, sollten diese rausgenommen und separat an einer Sammelstelle abgegeben werden. Das Gerät darf nicht in den Hausmüll rausgeworfen werden!!!

## FRANÇAIS

### CONDITIONS DE SÉCURITÉ. INSTRUCTIONS IMPORTANTES SUR LA SÉCURITÉ D'UTILISATION

#### VEUILLEZ LIRE ATTENTIVEMENT ET CONSERVER POUR RÉFÉRENCE FUTURE

Les conditions de garantie sont différentes si l'appareil est utilisé à des fins commerciales.

1. Avant d'utiliser le produit, veuillez lire attentivement et toujours respecter les instructions suivantes. Le fabricant n'est pas responsable des dommages dus à une mauvaise utilisation.
2. Le produit ne doit être utilisé qu'à l'intérieur. N'utilisez pas le produit à des fins incompatibles avec son application.
3. La tension de l'appareil est de 220-240V, ~50/60Hz. Pour des raisons de sécurité, il n'est pas approprié de connecter plusieurs appareils à une seule prise de courant.
4. S'il vous plaît soyez prudent lorsque vous utilisez autour des enfants. Ne laissez pas les enfants jouer avec le produit. Ne laissez pas des enfants ou des personnes qui ne connaissent pas l'appareil l'utiliser sans surveillance.
5. **AVERTISSEMENT** : Cet appareil peut être utilisé par des enfants de plus de 8 ans et des personnes ayant des capacités physiques, sensorielles ou mentales réduites, ou des personnes sans expérience ou connaissance de l'appareil, uniquement sous la supervision d'une personne responsable de leur sécurité, ou s'ils ont reçu des instructions sur l'utilisation sûre de l'appareil et sont conscients des dangers associés à son fonctionnement. Les enfants ne doivent pas jouer avec l'appareil. Le nettoyage et l'entretien de l'appareil ne doivent pas être effectués par des enfants, sauf s'ils ont plus de 8 ans et que ces activités sont effectuées sous surveillance.
6. Une fois que vous avez fini d'utiliser le produit, n'oubliez jamais de retirer délicatement la fiche de la prise de courant en tenant la prise avec votre main. Ne tirez jamais sur le câble d'alimentation !!!
7. Ne laissez jamais le produit connecté à la source d'alimentation sans surveillance. Même lorsque l'utilisation est interrompue pendant une courte période, éteignez-le du réseau, débranchez l'alimentation.
8. Ne mettez jamais le câble d'alimentation, la fiche ou l'ensemble de l'appareil dans l'eau. N'exposez jamais le produit aux conditions atmosphériques telles que la lumière directe du soleil ou la pluie, etc. N'utilisez jamais le produit dans des conditions humides.
9. Vérifiez périodiquement l'état du câble d'alimentation. Si le câble d'alimentation est endommagé, le produit doit être remis à un centre de service professionnel pour être remplacé afin d'éviter les situations dangereuses.
10. N'utilisez jamais le produit avec un câble d'alimentation endommagé ou s'il est tombé ou endommagé de toute autre manière ou s'il ne fonctionne pas correctement. N'essayez pas de réparer vous-même le produit défectueux car cela peut entraîner un choc électrique. Confiez toujours l'appareil endommagé à un centre de service professionnel afin de le réparer. Toutes les réparations ne peuvent être effectuées que par des professionnels de service agréés. La réparation qui a été effectuée de manière incorrecte peut entraîner des

situations dangereuses pour l'utilisateur.

11. Ne placez jamais le produit sur ou à proximité de surfaces chaudes ou chaudes ou d'appareils de cuisine tels que le four électrique ou le brûleur à gaz.

12. N'utilisez jamais le produit à proximité de combustibles.

13. Ne laissez pas le cordon pendre du bord du comptoir ou toucher des surfaces chaudes.

14. Afin de fournir une protection supplémentaire, il est recommandé d'installer un dispositif de courant résiduel (RCD) dans le circuit d'alimentation, avec un courant résiduel nominal ne dépassant pas 30 mA. Contactez un électricien professionnel à ce sujet.

15. L'appareil n'est pas destiné à la transformation industrielle des aliments.

16. Ne plongez pas le bloc moteur dans l'eau. Ne pas laver au lave-vaisselle. N'exposez pas l'appareil et ses accessoires à des températures élevées (supérieures à 60°C).

17. Avant de nettoyer et de retirer les accessoires, réglez la commande de vitesse sur la position « 0 » et débranchez le câble d'alimentation.

18. Avant d'utiliser l'appareil, vérifiez si toutes les pièces et accessoires sont correctement montés :

- robot culinaire planétaire : assurez-vous que l'accessoire est complètement inséré dans la douille, sinon le résultat de votre mélange pourrait être affecté.

- hachoir à viande : l'ensemble de broyage doit être soigneusement assemblé. Un assemblage imprécis peut entraîner de mauvaises performances de meulage et un émoussement du couteau et de la plaque perforée.

19. Utilisez uniquement les accessoires d'origine fournis avec le hachoir à viande et le robot culinaire planétaire.

20. Ne surchargez pas l'appareil avec un excès de produit ou ne poussez pas le produit trop fort. Utilisez uniquement le poussoir pour enfoncer le produit. L'utilisation d'un autre objet peut endommager le hachoir à viande.

22. La viande à hacher doit être exempte d'os, de cartilages, de tendons ou de veines. Coupez les plus grosses parties en morceaux.

23. Ne couvrez pas les orifices de ventilation du boîtier lorsque l'appareil est allumé.

24. Ne pas broyer les graines de pavot sèches. La graine de pavot doit être cuite à la vapeur et trempée avant de la moulin.

25. Ne dépassez pas  $\frac{3}{4}$  du bol lorsque vous le remplissez d'ingrédients alimentaires.

26. Rangez l'appareil hors de portée des enfants.

Description du produit : Robot de cuisine planétaire multifonction Ad4221

- |                                 |  |
|---------------------------------|--|
| 1. Bras de boîtier              | 2. Boîtier du moteur                       |
| 3. Couvercle anti-éclaboussures | 4. Bol de mélange 7,0 litres               |
| 5. Couvercle avant du hachoir   | 6. Poussoir en plastique                   |
| 7. Bouton d'inclinaison         | 8. Bouton de commande de vitesse           |
| 9. Fouet à œufs                 | 10. Mélange batteur                        |
| 11. Crochet pétrisseur          | 12. Écrou de fixation                      |
| 13. Tamis 3, 5, 7mm             | 14. Lame de hachage en croix               |
| 15. Engrenage à vis sans fin    | 16. Plateau à hacher                       |
| 17. Chambre de hachage          | 18. Nid de fixation du mixeur avec ressort |

#### AVANT LA PREMIÈRE UTILISATION

1. Toutes les pièces de l'appareil doivent être soigneusement nettoyées avant d'être utilisées pour la première fois. Voir la section : « Nettoyage et entretien ».

2. Placez l'appareil sur une surface horizontale et plane.

3. N'utilisez jamais l'appareil sans surveillance.

4. Ne touchez pas les pièces mobiles avec vos doigts. Laissez les accessoires en rotation s'arrêter avant d'ouvrir le bol.

**ATTENTION : NE PAS UTILISER LES FONCTIONS DE MÉLANGE ET DE HACHAGE EN MÊME TEMPS !! UTILISEZ UNIQUEMENT L'UN D'EUX.**

• Lors de l'utilisation de la fonction de mélange, le couvercle avant (5) doit être placé à sa place.

• Lors de l'utilisation de la fonction hachage, le bol (4) avec couvercle anti-éclaboussures (3) doit être placé à leur position pour protéger l'utilisateur final contre la rotation du nid de fixation du mixeur avec ressort (18).

5. Mettez l'appareil hors tension et débranchez-le avant de changer d'accessoire.

#### MANIÈRE D'ASSEMBLAGE : fonction de mélangeur

Avant d'assembler le robot culinaire, assurez-vous que le cordon d'alimentation est débranché de la prise de courant et que le bouton de commande de vitesse est sur la position « 0 ».

1. Placez le bol dans le bloc moteur, puis tournez-le dans le sens des aiguilles d'une montre jusqu'à ce que vous sentiez qu'il ne peut plus se déplacer vers la gauche. Le bol est bloqué.

2. Choisissez l'attachement approprié à l'opération requise :

- Fouet à œufs (9) pour monter : blancs d'œufs, crèmes à gâteaux, chantilly, etc.
- Bateau mélangeur (10) pour mélanger des mélanges légers : mayonnaise, pâte à crêpes, génoise, etc.
- Crochet pétrisseur (11) pour pétrir les pâtes lourdes : pâte à pain, pâte levée, etc.

3. Placez la fixation appropriée (9 ou 10 ou 11) sur le boulon du nid de fixation du mélangeur avec le ressort (18). Ajustez la position de deux éléments métalliques en saillie pour qu'ils pénètrent dans les endroits concaves du nid de fixation du mélangeur avec le ressort (18) - regardez l'image A. Poussez l'accessoire vers le haut jusqu'à ce que le ressort soit complètement comprimé, tournez complètement dans le sens des aiguilles d'une montre et relâchez - regardez l'image B.

4. Mettez les ingrédients alimentaires dans le bol et appuyez sur le bouton d'inclinaison (7) vers le bas pour fermer le bras du boîtier (1).

5. Branchez l'appareil et tournez le bouton de vitesse (8) pour obtenir la vitesse requise. La vitesse 0 signifie que le moteur est arrêté, la vitesse 1 signifie la vitesse la plus lente, la vitesse 6 signifie la rotation maximale. P – signifie mode Pulse, cela signifie la rotation des engrenages par impulsion lorsque le bouton (8) est maintenu en position Pulse.

6. Après utilisation, éteignez l'appareil en tournant le bouton de vitesse (8) sur la position 0 et débranchez l'appareil.

7. Appuyez sur le bouton d'inclinaison (7) vers le bas pour soulever le bras du boîtier (1). Si le mélange mélangé est correct, retirez l'accessoire. Pour retirer l'accessoire, soulevez-le un peu pour comprimer complètement le ressort, puis tournez l'accessoire entier du côté gauche et tirez-le vers le bas.

8. Tournez le bol (4) dans le sens inverse des aiguilles d'une montre et retirez-le du boîtier du moteur (2) en le maintenant avec les deux mains. N'oubliez pas que le bol peut être lourd.

#### MANIÈRE D'ASSEMBLAGE : fonction broyeur

1. Placez le bol (4) sur le carter du moteur (2) et fermez le bras du carter (1) en appuyant sur le bouton d'inclinaison (7). N'assemblez aucun accessoire à l'intérieur du bol (4). Il est nécessaire de vous protéger contre la rotation du nid de fixation du mélangeur avec ressort (18). Il est normal que le nid de fixation du mixeur avec ressort (18) tourne à l'intérieur du bol lors de l'utilisation du hachoir.

2. Retirez le couvercle avant (5) pour installer le broyeur.

3. À l'intérieur de la chambre de hachage (17), placez la vis sans fin (15), puis placez correctement la lame transversale de hachage (14).

Faites attention à le placer du bon côté, comme indiqué sur l'image C. Ensuite, placez le bon tamis (13) et vissez LÉGÈREMENT l'écrou de fixation (12) à l'extrémité.

REMARQUE : l'écrou de fixation (12) est à visser LÉGÈREMENT AVANT de monter l'ensemble hachoir sur le carter moteur (2). Il est nécessaire d'ajuster la position du trou hexagonal (photo D1) dans l'unité de hachage à l'arbre hexagonal dans le boîtier du moteur (2).

4. Placez le bloc hachoir dans la position indiquée sur l'image D3 (position inclinée), poussez-le à l'intérieur du boîtier du moteur (2) et tournez à gauche jusqu'à la position verticale indiquée sur l'image D4. Le bouton rond noir près de l'unité du hachoir revient en position saillante. Vissez à fond l'écrou de fixation (12).

5. Montez le plateau de hachage (16) sur le dessus de la chambre de hachage (17).

6. Pour démonter le bloc hachoir, appuyez sur le bouton rond noir et agissez dans l'ordre inverse.

#### UTILISATION : Fonction mixeur

- Pétrir des pâtes lourdes (pâte à pain, pâte levée, etc.)

Assembler le crochet pétrisseur (11). Mettez les ingrédients alimentaires dans le bol. La ration suggérée de farine et d'eau est : 5:3.

Quantité maximale de farine : 1500g. Il est recommandé de commencer à pétrir à la vitesse 1 ou 2 pendant 20 secondes maximum en continu. Ensuite, réglez la vitesse 3 et ne faites pas fonctionner plus de 4 minutes en continu à la fois.

- Mélanger des mélanges légers (mayonnaise, pâte à crêpes, génoise, etc.)

Assembler le batteur mélangeur (10). Mettez les ingrédients alimentaires à l'intérieur du bol jusqu'à max  $\frac{3}{4}$  de la hauteur du bol. Allumez la vitesse 3-4 et mélangez aussi longtemps que nécessaire pour obtenir la densité souhaitée. Ne pas utiliser plus de 4 minutes en continu à la fois.

- Monter (blancs d'œufs, crèmes à gâteaux, chantilly, etc.)

Assembler le fouet à œufs (9).

Pour monter les blancs d'œufs : mettre les blancs d'œufs dans le bol pour un maximum de 24 œufs. Allumez la vitesse 4-6 et mélangez, environ 5 minutes jusqu'à consistance ferme. Le temps de mélange dépend de la taille des œufs.

Pour la chantilly : mettre au moins 250 ml de crème fraîche (préalablement réfrigérée au réfrigérateur pendant au moins 8 heures). Mixer en vitesse 4 à 6 pendant environ 5 minutes. Ne pas dépasser la quantité de  $\frac{1}{2}$  haut du bol de crème fraîche coulée pour garder suffisamment d'espace pour la chantilly.

#### UTILISATION: fonction broyeur

1. Couper tous les aliments en morceaux (sinewless, boeuf sans os et dégraissée ou du porc est recommandé, environ la taille: (20 mm x 20 mm x 60 mm), de sorte qu'ils soient facilement dans le tube de hachoir (17).

2. Branchez l'appareil et allumez-le, puis tournez le bouton de commande de vitesse (8) sur 4 à 6 vitesses.

3. Introduisez les aliments dans le bac à hacher (16). Utilisez pour cela uniquement le poussoir en plastique (6).

4. Après utilisation, éteignez l'appareil et débranchez-le de l'alimentation électrique.

5. N'utilisez pas plus de 4 minutes en continu à la fois.

6. L'appareil est équipé de 3 tamis avec des trous de diamètre 3 mm, 5 mm et 7 mm, choisissez une plaque à trous adaptée à votre plat souhaité.

- tamis de 3 mm - maille fine pour le broyage jusqu'à une consistance assez compacte et uniforme. Parfait pour la farce et le pâté.

- Passoire de 5 mm - maille moyenne pour hacher la viande pour les côtelettes hachées, les hamburgers, les boulettes de viande et les garnitures pour les boulettes, les crêpes et les tortillas. En utilisant cette passoire, vous pouvez également broyer des légumes, du

fromage à pâte dure et même des noix.

- Passoire 7 mm - maille épaisse pour hacher la viande avec une structure distincte. La passoire est destinée à la production de saucisses et d'abats.

#### DISPOSITIF DE PROTECTION CONTRE LA SURCHAUFFE

L'appareil s'éteindra automatiquement après 15 minutes de fonctionnement continu pour protéger le moteur contre la surchauffe. Il est nécessaire de débrancher l'appareil et de le laisser refroidir avant la prochaine utilisation. L'appareil une fois refroidi fonctionnera normalement.

#### NETTOYAGE ET ENTRETIEN

1. Avant de nettoyer l'appareil, assurez-vous que le cordon d'alimentation est débranché de la prise de courant et que le bouton de commande de vitesse est sur la position "0". Laissez l'appareil refroidir avant de le nettoyer.
2. Démontez tous les accessoires du boîtier du moteur (2). Ne nettoyez pas les accessoires lorsqu'ils sont montés sur l'ensemble d'entraînement de la machine.
3. N'utilisez pas de détergents agressifs pour nettoyer le boîtier du moteur (2), car cela pourrait supprimer les symboles graphiques d'information tels que : échelle, panneaux, marques de sécurité, etc.
4. Ne lavez pas les pièces métalliques au lave-vaisselle. Les agents de nettoyage agressifs utilisés dans les lave-vaisselle font noircir les pièces métalliques. Lavez à la main les parties métalliques avec du liquide vaisselle traditionnel. Utilisez une brosse douce.
5. Essuyez les parties externes avec un torchon ou un chiffon doux.
6. N'utilisez pas de matériaux abrasifs pour nettoyer l'appareil.
7. Ne plongez pas le boîtier du moteur (2) dans l'eau ou d'autres liquides.

#### DONNÉES TECHNIQUES

Alimentation : 220-240V ~50/60Hz

Puissance : 1200W

Puissance maximale : 2 200 W

Boî en acier inoxydable 7 litres

Temps de fonctionnement maximum en un cycle : 15 minutes.

Temps de repos minimum entre les cycles : 10 minutes au moins.



Respect de l'environnement. Nous vous prions de bien vouloir trier les emballages en carton ainsi que les sachets plastiques (en polyéthylène). L'appareil usagé ne doit pas être jeté à la poubelle mais remis au point de collecte prévu à cet effet car il contient des éléments pouvant être nocifs pour l'environnement. L'appareil électrique doit être remis de manière à limiter au maximum une éventuelle utilisation ultérieure. Si l'appareil contient des piles, il faut les retirer et les remettre à un autre point de collecte.

Ne pas jeter l'appareil dans une poubelle de déchets ménagers !!!

## ESPAÑOL

### CONDICIONES DE SEGURIDAD. INSTRUCCIONES IMPORTANTES SOBRE SEGURIDAD DE USO

#### POR FAVOR LEA DETENIDAMENTE Y GUARDE PARA FUTURAS REFERENCIAS

Las condiciones de la garantía son diferentes si el dispositivo se utiliza con fines comerciales.

1. Antes de usar el producto, lea atentamente y cumpla siempre las siguientes instrucciones. El fabricante no se hace responsable de los daños debidos a un mal uso.
2. El producto solo debe utilizarse en interiores. No utilice el producto para ningún propósito que no sea compatible con su aplicación.
3. El voltaje del dispositivo es 220-240V, ~ 50 / 60Hz. Por razones de seguridad, no es apropiado conectar varios dispositivos a una toma de corriente.
4. Tenga cuidado al usarlo cerca de niños. No deje que los niños jueguen con el producto. No permita que los niños o personas que no conozcan el dispositivo lo utilicen sin supervisión.
5. **ADVERTENCIA:** Este dispositivo puede ser utilizado por niños mayores de 8 años y personas con capacidades físicas, sensoriales o mentales reducidas, o personas sin experiencia o conocimiento del dispositivo, solo bajo la supervisión de una persona responsable de su seguridad, o si fueron instruidos sobre el uso seguro del dispositivo y son conscientes de los peligros asociados con su funcionamiento. Los niños no deben jugar con el dispositivo. La limpieza y el mantenimiento del dispositivo no deben ser realizados por niños, a menos que sean mayores de 8 años y estas actividades se realicen bajo supervisión.
6. Una vez que haya terminado de usar el producto, recuerde siempre quitar suavemente el enchufe del tomacorriente sosteniendo el tomacorriente con la mano. ¡Nunca tire del cable

de alimentación!

7. Nunca deje el producto conectado a la fuente de alimentación sin supervisión. Incluso cuando el uso se interrumpa por un corto tiempo, apáguelo de la red, desenchufe la alimentación.

8. Nunca coloque el cable de alimentación, el enchufe o todo el dispositivo en el agua. Nunca exponga el producto a las condiciones atmosféricas tales como luz solar directa o lluvia, etc. Nunca use el producto en condiciones húmedas.

9. Compruebe periódicamente el estado del cable de alimentación. Si el cable de alimentación está dañado, el producto debe llevarse a un lugar de servicio profesional para ser reemplazado a fin de evitar situaciones peligrosas.

10. No utilice nunca el producto con un cable de alimentación dañado o si se ha caído o dañado de alguna otra forma o si no funciona correctamente. No intente reparar el producto defectuoso usted mismo porque puede provocar una descarga eléctrica. Lleve siempre el dispositivo dañado a un lugar de servicio profesional para repararlo. Todas las reparaciones pueden ser realizadas únicamente por profesionales de servicio autorizados. La reparación que se realizó incorrectamente puede causar situaciones peligrosas para el usuario.

11. Nunca coloque el producto sobre o cerca de superficies calientes o calientes o de los electrodomésticos de la cocina como el horno eléctrico o el quemador de gas.

12. Nunca use el producto cerca de combustibles.

13. No permita que el cable cuelgue del borde del mostrador ni toque superficies calientes.

14. Para proporcionar protección adicional, se recomienda instalar un dispositivo de corriente residual (RCD) en el circuito de alimentación, con una clasificación de corriente residual no superior a 30 mA. Comuníquese con un electricista profesional en este asunto.

15. El dispositivo no está diseñado para el procesamiento industrial de alimentos.

16. No sumerja la unidad del motor en agua. No lavar en lavavajillas. No exponga el dispositivo y sus accesorios a altas temperaturas (por encima de 60 ° C).

17. Antes de limpiar y quitar los accesorios, coloque el control de velocidad en la posición "0" y desenchufe el cable de alimentación.

18. Antes de utilizar el dispositivo, compruebe si todas las piezas y accesorios están montados correctamente:

- procesador de alimentos planetario: asegúrese de que el accesorio esté completamente insertado en el enchufe, de lo contrario, el resultado de la mezcla puede verse afectado.

- picadora de carne: el conjunto de picado debe montarse con cuidado. Un montaje inexacto puede causar un rendimiento de esmerilado deficiente y que la cuchilla y la placa de orificios se rompan.

19. Utilice únicamente los accesorios originales suministrados con la picadora de carne y el procesador de alimentos planetario.

20. No sobrecargue el dispositivo con exceso de producto ni lo empuje con demasiada fuerza. Utilice únicamente el empujador para introducir el producto. El uso de otro objeto puede dañar la picadora de carne.

22. La carne a moler debe estar libre de huesos, cartílagos, tendones o venas. Corta las partes más grandes en pedazos.

23. No cubra los orificios de ventilación de la carcasa mientras el dispositivo esté encendido.

24. No triture semillas de amapola secas. La semilla de amapola debe cocinarse al vapor y remojar antes de molerla.

25. No exceda  $\frac{3}{4}$  del tazón de altura cuando esté lleno de ingredientes alimenticios.

26. Guarde el dispositivo fuera del alcance de los niños.

Descripción del producto: Procesador de alimentos planetario multifunciónAd4221

1. Brazo de la carcasa

2. Carcasa del motor

3. Tapa antispicaduras

4. Tanque mezclador 7,0 litros

5. Cubierta frontal de la picadora

6. Pulsor de plástico

7. Perilla de inclinación

8. Perilla de control de velocidad

9. batidor de huevos
11. Gancho para masa
13. Sieves de 3, 5, 7 mm
15. Engranaje helicoidal
17. Cámara de picado

10. batidor de mezcla
12. Tuerca de fijación
14. Cuchilla transversal de picado
16. Bandeja para picar
18. Nido de fijación del mezclador con resorte

#### ANTES DEL PRIMER USO

1. Todas las partes del dispositivo deben limpiarse a fondo antes de usarse por primera vez. Consulte la sección: "Limpieza y mantenimiento".
  2. Coloque el dispositivo sobre una superficie horizontal y plana.
  3. Nunca opere el dispositivo sin la supervisión.
  4. No toque las piezas móviles con los dedos. Deje que los accesorios giratorios se detengan antes de abrir el recipiente.
- ADVERTENCIA: ¡NO USE LAS FUNCIONES DE MEZCLAR Y PICAR AL MISMO TIEMPO! UTILICE SOLO UNO DE ELLOS.**
- Cuando utilice la función de mezcla, la cubierta frontal (5) debe ubicarse en su posición.
  - Cuando se utiliza la función de picado, el recipiente (4) con la tapa anti-salpicaduras (3) debe ubicarse en su posición para proteger al usuario final contra la rotación del nido del accesorio de la batidora con el resorte (18).
5. Apague el dispositivo y desconéctelo del suministro eléctrico antes de cambiar los accesorios.

#### FORMA DE MONTAJE: función de mezclador

Antes de armar el procesador de alimentos, asegúrese de que el cable de alimentación esté desenchufado del tomacorriente y que la perilla de control de velocidad esté en la posición "0".

1. Coloque el recipiente en la unidad del motor, luego gírelo en el sentido de las agujas del reloj hasta que sienta que no puede moverse más hacia la izquierda. El cuenco está bloqueado.
2. Elija el accesorio adecuado para la operación requerida:
  - Batidor de huevos (9) para batir: claras de huevo, cremas para pasteles, nata montada, etc.
  - Batidor (10) para mezclar mezclas ligeras: mayonesa, masa para tortitas, bizcocho, etc.
  - Gancho amasador (11) para amasar masas pesadas: masa de pan, masa de levadura, etc.
3. Coloque el accesorio adecuado (9 o 10 u 11) en el perno del nido de accesorio de la batidora con resorte (18). Ajuste la posición de dos elementos metálicos que sobresalen para que entren en los lugares cóncavos del nido del accesorio de la batidora con el resorte (18); mire la imagen A. Empuje el accesorio hacia arriba hasta que el resorte esté completamente comprimido, gírelo completamente en el sentido de las agujas del reloj y suéltelo; mire la imagen B.
4. Coloque los ingredientes alimentarios en el recipiente y presione la perilla de inclinación (7) hacia abajo para cerrar el brazo de la carcasa (1).
5. Enchufe el dispositivo y gire la perilla de velocidad (8) para la velocidad requerida. La velocidad 0 significa motor parado, la velocidad 1 significa velocidad más lenta, la velocidad 6 significa rotación máxima. P - significa modo de pulso, significa pulso de rotación de engranajes cuando la perilla (8) se mantiene en la posición de pulso.
6. Después de usarlo, apague el dispositivo girando la perilla de velocidad (8) a la posición 0 y desconecte el dispositivo.
7. Presione la perilla de inclinación (7) hacia abajo para levantar el brazo de la carcasa (1). Si la mezcla mezclada es correcta, retire el accesorio. Para quitar el accesorio, levántelo un poco para comprimir el resorte por completo, luego gire todo el accesorio del lado izquierdo y tire de él hacia abajo.
8. Gire el bol (4) en sentido antihorario y retírelo de la carcasa del motor (2) manteniéndolo con ambas manos. Recuerde que el cuenco puede ser pesado.

#### FORMA DE MONTAJE: Función de amoladora

1. Coloque la taza (4) en la carcasa del motor (2) y cierre el brazo de la carcasa (1) presionando la perilla de inclinación (7). No monte ningún accesorio dentro del recipiente (4). Es necesario protegerlo contra la rotación del nido de acoplamiento de la batidora con resorte (18). Es normal que el nido de accesorios de la batidora con resorte (18) esté girando dentro del recipiente cuando se usa la picadora.
  2. Retire la cubierta frontal (5) para instalar el molinillo.
  3. Dentro de la cámara de picado (17) coloque el engranaje helicoidal (15), luego coloque correctamente la cuchilla transversal de picado (14). Preste atención a colocarlo en el lado correcto, igual que se muestra en la imagen C. A continuación, coloque el tamiz adecuado (13) y atornille LIGERAMENTE la tuerca de fijación (12) en el extremo.
- OBSERVACIÓN:** la tuerca de fijación (12) debe atornillarse LIGERAMENTE ANTES de montar toda la unidad de picado en la carcasa del motor (2). Es necesario ajustar la posición del orificio hexagonal (imagen D1) en la unidad de picado al eje hexagonal en la carcasa del motor (2).
4. Coloque la unidad de la picadora en la posición que se muestra en la imagen D3 (posición inclinada), empújela dentro de la carcasa del motor (2) y gire a la izquierda a la posición vertical que se muestra en la imagen D4. El botón redondo negro cerca de la unidad de la picadora volverá a la posición sobresaliente. Enrosque ahora la tuerca de fijación (12) con fuerza.
  5. Monte la bandeja de picado (16) en la parte superior de la cámara de picado (17).
  6. Para desmontar la unidad de la picadora, presione el botón redondo negro y actúe en orden inverso.

#### USO: función de mezclador

- Amasar masa espesa (masa de pan, masa de levadura, etc.)
  - Montar el gancho amasador (11). Pon los ingredientes de los alimentos dentro del bol. La ración sugerida de harina y agua es: 5: 3. Cantidad máxima de harina: 1500g. Se recomienda comenzar a amasar a la velocidad 1 o 2 durante no más de 20 segundos de funcionamiento continuo. A continuación, configure la velocidad 3 y opere no más de 4 minutos seguidos a la vez.
  - Mezclar mezclas ligeras (mayonesa, masa para panqueques, bizcocho, etc.)
- Ensamble el batidor de mezcla (10). Ponga los ingredientes de los alimentos dentro del tazón hasta un máximo de ¾ de altura. Encienda la velocidad 3-4 y mezcle todo el tiempo que sea necesario para lograr la densidad deseada. No use más de 4 minutos seguidos a la vez.
- Batido (claras de huevo, cremas para pasteles, nata montada, etc.)
- Montar el batidor de huevos (9).
- Para batir las claras de huevo: Coloque las claras de huevo dentro del tazón hasta un máximo de 24 huevos. Encienda la velocidad 4-6 y mezcle, unos 5 minutos hasta que esté rígido. El tiempo de mezcla depende del tamaño de los huevos.
- Para la nata montada: poner al menos 250ml de nata fresca (previamente enfriada en el frigorífico durante al menos 8 horas). Mezclar a velocidad 4 a 6 durante unos 5 minutos. No exceda la cantidad de ½ altura del bol de nata fresca vertida para dejar suficiente espacio para la nata montada.

#### USO: función amoladora

1. Corte todos los alimentos en trozos (se recomienda la carne de res o cerdo deshuesada, deshuesada y sin grasa, de tamaño



- aproximado: (20 mm x 20 mm x 60 mm) para que quepan fácilmente en el tubo de picado (17).
2. Enchufe el dispositivo y enciéndalo y luego gire la perilla de control de velocidad (8) a 4-6 velocidades.
  3. Introduzca los alimentos en la bandeja para picar (16). Utilice para ello únicamente el empujador de plástico (6).
  4. Después de su uso, apague el dispositivo y desconéctelo de la fuente de alimentación.
  5. No use más de 4 minutos seguidos a la vez.
  6. El dispositivo está equipado con 3 tamices con orificios de 3 mm, 5 mm y 7 mm de diámetro, elija la placa de orificio adecuada para su plato deseado.
    - Tamiz de 3 mm - malla fina para moler hasta obtener una consistencia bastante compacta y uniforme. Perfecto para relleno y paté.
    - Colador de 5 mm - Malla mediana para moler carne para chuletas picadas, hamburguesas, albóndigas y rellenos para albóndigas, tortitas y tortillas. Con este colador también puede moler verduras, quesos duros e incluso frutos secos.
    - Colador de 7 mm - Malla gruesa para picar carne con una estructura diferenciada. El colador está destinado a la producción de salchichas y menudencias.

#### DISPOSITIVO DE PROTECCIÓN CONTRA EL SOBRECALENTAMIENTO

El dispositivo se apagará automáticamente después de 15 minutos de funcionamiento continuo para proteger el motor contra el sobrecalentamiento. Es necesario desconectar el dispositivo y dejar que se enfríe antes del próximo uso. Cuando se enfríe, el dispositivo funcionará normalmente.

#### LIMPIEZA Y MANTENIMIENTO

1. Antes de limpiar el dispositivo, asegúrese de que el cable de alimentación esté desenchufado del tomacorriente y que la perilla de control de velocidad esté en la posición "0". Deje que el dispositivo se enfríe antes de limpiarlo.
2. Desmonte todos los accesorios de la carcasa del motor (2). No limpie los accesorios mientras están montados en el conjunto de transmisión de la máquina.
3. No utilice detergentes agresivos para limpiar la carcasa del motor (2), ya que puede eliminar los símbolos gráficos informativos como: escala, letreros, marcas de seguridad, etc.
4. No lave las partes metálicas en lavavajillas. Los agentes de limpieza agresivos utilizados en los lavavajillas hacen que las partes metálicas se pongan negras. Lave a mano las piezas metálicas con detergente líquido tradicional. Utilice un cepillo suave.
5. Limpie las partes externas con un paño de cocina o un paño suave.
6. No utilice materiales abrasivos para limpiar el dispositivo.
7. No sumerja la carcasa del motor ( ) en agua u otros líquidos.

#### DATOS TÉCNICOS

Fuente de alimentación: 220-240V ~ 50 / 60Hz

Poder: 1200W

Potencia máxima: 2200 W

Cuenco de acero inoxidable 7 litros

Tiempo máximo de funcionamiento en un ciclo: 15 minutos.

Tiempo mínimo de descanso entre ciclos: 10 minutos como mínimo.



Preocupación por el medio ambiente. Por favor, lleva las cajas de cartón a un sitio de reciclaje. Las bolsas de polietileno se deben tirar al cubo de la basura amarillo (para envases). El equipo gastado debe ser entregado en el punto de almacenamiento adecuado, porque las piezas que constituyen el equipo pueden suponer un peligro para el medio ambiente. Debes entregar el equipo Hay que devolver el equipo eléctrico con el fin de evitar su reutilización. Si en el equipo se encuentran pilas, hay que sacarlas y entregar por separado, en un punto de almacenamiento adecuado. No tires el equipo al contenedor para residuos urbanos!!

## PORTUGUÊS

### CONDIÇÕES DE SEGURANÇA. INSTRUÇÕES IMPORTANTES DE SEGURANÇA DE USO

#### LEIA COM ATENÇÃO E MANTENHA PARA REFERÊNCIA FUTURA

As condições de garantia são diferentes, se o dispositivo for usado para fins comerciais.

1. Antes de usar o produto, leia com atenção e sempre siga as instruções a seguir. O fabricante não é responsável por quaisquer danos devidos a qualquer uso indevido.
2. O produto só deve ser usado em ambientes internos. Não use o produto para nenhuma finalidade que não seja compatível com sua aplicação.
3. A tensão do dispositivo é 220-240V, ~ 50 / 60Hz. Por motivos de segurança, não é apropriado conectar vários dispositivos a uma tomada elétrica.
4. Tenha cuidado ao usar perto de crianças. Não deixe as crianças brincarem com o produto. Não deixe que crianças ou pessoas que não conheçam o dispositivo o utilizem sem supervisão.
5. AVISO: este dispositivo pode ser usado por crianças com mais de 8 anos de idade e pessoas com capacidades físicas, sensoriais ou mentais reduzidas, ou pessoas sem experiência ou conhecimento do dispositivo, apenas sob a supervisão de uma pessoa responsável por sua segurança, ou se foram instruídos sobre o uso seguro do dispositivo e estão cientes dos perigos associados ao seu funcionamento. As crianças não devem brincar com o dispositivo. A limpeza e a manutenção do aparelho não devem ser realizadas por crianças, a menos que tenham mais de 8 anos e essas

- atividades sejam realizadas sob supervisão.
6. Depois de terminar de usar o produto, lembre-se sempre de remover com cuidado o plugue da tomada, segurando-a com a mão. Nunca puxe o cabo de alimentação !!!
  7. Nunca deixe o produto conectado à fonte de alimentação sem supervisão. Mesmo quando o uso for interrompido por um curto período de tempo, desligue-o da rede e desconecte-o da tomada.
  8. Nunca coloque o cabo de alimentação, o plugue ou o dispositivo inteiro na água. Nunca exponha o produto às condições atmosféricas, como luz solar direta ou chuva, etc. Nunca use o produto em condições de umidade.
  9. Verifique periodicamente a condição do cabo de alimentação. Se o cabo de alimentação estiver danificado, o produto deve ser encaminhado a um local de serviço profissional para ser substituído, a fim de evitar situações perigosas.
  10. Nunca use o produto com um cabo de alimentação danificado ou se ele caiu ou foi danificado de qualquer outra forma ou se não funcionar corretamente. Não tente consertar o produto defeituoso por conta própria, pois isso pode causar choque elétrico. Sempre leve o dispositivo danificado a um local de serviço profissional para repará-lo. Todos os reparos podem ser feitos apenas por profissionais de serviço autorizados. O reparo que foi feito incorretamente pode causar situações perigosas para o usuário.
  11. Nunca coloque o produto sobre ou próximo a superfícies quentes ou quentes ou a aparelhos de cozinha, como forno elétrico ou queimador a gás.
  12. Nunca use o produto próximo a combustíveis.
  13. Não deixe o cabo pendurado na borda do balcão ou toque em superfícies quentes.
  14. A fim de fornecer proteção adicional, é recomendado instalar um dispositivo de corrente residual (RCD) no circuito de alimentação, com corrente residual nominal não superior a 30 mA. Entre em contato com um eletricitista profissional a esse respeito.
  15. O dispositivo não se destina ao processamento industrial de alimentos.
  16. Não mergulhe a unidade do motor na água. Não lave em máquinas de lavar louça. Não exponha o dispositivo e seus acessórios a altas temperaturas (acima de 60 ° C).
  17. Antes de limpar e remover acessórios, coloque o controle de velocidade na posição "0" e desconecte o cabo de alimentação.
  18. Antes de operar o dispositivo, verifique se todas as peças e acessórios estão devidamente montados:
    - processador de alimentos planetário: certifique-se de que o acessório está totalmente inserido no soquete, caso contrário, o resultado da mistura pode ser afetado.
    - moedor de carne: o conjunto de moagem deve ser montado com cuidado. Uma montagem imprecisa pode causar um desempenho de retificação insatisfatório e embotamento da faca e da placa do orifício.
  19. Use apenas acessórios originais fornecidos com o picador de carne e o processador de alimentos planetário.
  20. Não sobrecarregue o dispositivo com excesso de produto ou empurrando o produto com muita força. Use apenas o empurrador para empurrar o produto. O uso de outro objeto pode danificar o picador de carne.
  22. A carne a ser moída deve estar isenta de ossos, cartilagens, tendões ou veias. Corte as partes maiores em pedaços.
  23. Não cubra os orifícios de ventilação da caixa enquanto o dispositivo estiver ligado.
  24. Não moa sementes de papoula secas. A semente de papoula deve ser cozida no vapor e embebida antes de ser moída.
  25. Não exceda  $\frac{3}{4}$  tigela de altura ao encher com ingredientes alimentícios.
  26. Guarde o dispositivo fora do alcance de crianças.

Descrição do produto: Processador de alimentos planetário multifuncional Ad4221

- |                             |   |
|-----------------------------|---|
| 1. Braço da carcaça         | 2. Carcaça do motor                         |
| 3. Tampa anti-respingos     | 4. Tigela de mistura 7,0 litros             |
| 5. Tampa frontal do picador | 6. Empurrador de plástico                   |
| 7. Botão de inclinação      | 8. Botão de controle de velocidade          |
| 9. Batedor de ovos          | 10. Batedor de mistura                      |
| 11. Gancho de perfuração    | 12. Porca de fixação                        |
| 13. Peneiras 3, 5, 7 mm     | 14. Lâmina da cruz de trituração            |
| 15. Engrenagem sem-fim      | 16. Bandeja de trituração                   |
| 17. Câmara de trituração    | 18. Ninho de fixação do misturador com mola |

#### ANTES DA PRIMEIRA UTILIZAÇÃO

1. Todas as peças do dispositivo devem ser cuidadosamente limpas antes de serem usados pela primeira vez. Consulte a seção: "Limpeza e manutenção".
  2. Coloque o dispositivo em uma superfície horizontal e plana.
  3. Nunca opere o dispositivo sem supervisão.
  4. Não toque nas peças móveis com os dedos. Deixe os acessórios giratórios pararem antes de abrir a tigela.
- AVISO: NÃO USE AS FUNÇÕES DE MISTURA E PICAR AO MESMO TEMPO !! USE APENAS UM DELÉS.**
- Ao usar a função de mixagem, a tampa frontal (5) deve ser posicionada em sua posição.
  - Ao usar a função de picagem, a tigela (4) com tampa anti-respingos (3) deve ser localizada em sua posição para proteger o usuário final contra a rotação do ninho de conexão do misturador com a mola (18).
5. Desligue o dispositivo e desconecte-o da alimentação antes de trocar os acessórios.

#### FORMA DE MONTAGEM: Função do misturador

Antes de montar o processador de alimentos, certifique-se de que o cabo de alimentação esteja desconectado da tomada e o botão de controle de velocidade esteja na posição "0".

1. Coloque a tigela na unidade do motor e gire-a no sentido horário até sentir que ela não consegue mais se mover para a esquerda. A tigela está bloqueada.
2. Escolha o acessório adequado para a operação necessária:
  - Batedor de ovos (9) para bater: claras de ovo, natas para bolos, natas batidas, etc.
  - Batedor de mistura (10) para misturar misturas leves: maionese, massa de panqueca, pão de ló, etc.
  - Gancho de massa (11) para amassar massa pesada: massa de pão, massa de fermento, etc.
3. Coloque o acessório adequado (9 ou 10 ou 11) no parafuso do ninho de acessório do misturador com a mola (18). Ajuste a posição de dois elementos metálicos salientes para entrarem nos locais côncavos do ninho de fixação do misturador com a mola (18) - veja a imagem A. Empurre o acessório para cima até que a mola esteja totalmente comprimida, gire totalmente no sentido horário e solte - veja a imagem B.
4. Coloque os ingredientes alimentares na tigela e pressione o botão de inclinação (7) para baixo para fechar o braço do compartimento (1).
5. Conecte o dispositivo e gire o botão de velocidade (8) para a velocidade necessária. A velocidade 0 significa motor parado, a velocidade 1 significa velocidade mais lenta, a velocidade 6 significa rotação máxima. P - significa modo Pulso, significa pulso girando das engrenagens quando o botão (8) é mantido na posição Pulso.
6. Após o uso, desligue o dispositivo girando o botão de velocidade (8) para a posição 0 e desconecte o dispositivo.
7. Pressione o botão de inclinação (7) para baixo para levantar o braço da caixa (1). Se a mistura estiver correta, retire o acessório. Para retirar o acessório, levante-o um pouco para comprimir a mola completamente, depois vire todo o acessório para a esquerda e puxe-o para baixo.
8. Gire a tigela (4) no sentido anti-horário e remova-a do compartimento do motor (2) segurando com as duas mãos. Lembre-se de que a tigela pode ser pesada.

#### FORMA DE MONTAGEM: Função de moedor

1. Coloque a tigela (4) na carcaça do motor (2) e feche o braço da carcaça (1) pressionando o botão de inclinação (7). Não monte nenhum acessório dentro da tigela (4). É necessário protegê-lo contra a rotação do ninho de fixação do misturador com a mola (18). É normal que o ninho de fixação do misturador com mola (18) esteja girando dentro da tigela ao usar o picador.
  2. Retire a tampa frontal (5) para instalar o moedor.
  3. Dentro da câmara de trituração (17) coloque a engrenagem helicoidal (15), em seguida coloque a lâmina cruzada de trituração (14) correta. Preste atenção para posicionar do lado correto, igual ao mostrado na figura C. Em seguida, coloque a peneira adequada (13) e aparafuse LEVE a porca de fixação (12) na extremidade.
- OBSERVAÇÃO:** a porca de fixação (12) deve ser aparafusada LEVE ANTES de montar todo o moedor de picagem na carcaça do motor (2). É necessário ajustar a posição do orifício hexagonal (figura D1) na unidade de picagem ao eixo hexagonal na carcaça do motor (2).
4. Coloque a unidade do picador na posição mostrada na imagem D3 (posição inclinada), empurre-a para dentro da carcaça do motor (2) e vire à esquerda para a posição vertical mostrada na imagem D4. O botão redondo preto perto da unidade do picador voltará para a posição saliente. Aperte bem a porca de fixação (12) agora.
  5. Monte a bandeja de picagem (16) na parte superior da câmara de picagem (17).
  6. Para desmontar a unidade do picador, pressione o botão redondo preto na ordem inversa.

#### USO: Função Mixer

- Amassar massa pesada (massa de pão, massa de fermento, etc.)
- Monte o gancho de massa (11). Coloque os ingredientes alimentares dentro da tigela. A razão sugerida de farinha e água é: 5: 3. Quantidade máxima de farinha: 1500g. Recomenda-se começar a amassar na velocidade 1 ou 2 por não mais de 20 segundos de operação contínua. Em seguida, configure a velocidade 3 e opere por não mais do que 4 minutos continuamente.
- Misturas leves (maionese, massa de panqueca, pão de ló, etc.)
- Monte o batedor de mistura (10). Coloque os ingredientes alimentares dentro da tigela com no máximo  $\frac{3}{4}$  de altura. Ligue a velocidade 3-4 e misture o tempo necessário para atingir a densidade desejada. Use não mais do que 4 minutos continuamente de cada vez.
- Batidas (claras de ovo, natas para bolos, natas batidas, etc.)
- Monte o batedor de ovos (9).
- Para bater as claras: coloque as claras dentro da tigela, no máximo, 24 ovos. Ligue a velocidade 4-6 e misture por cerca de 5 minutos até ficar firme. O tempo de mistura depende do tamanho dos ovos.
- Para chantilly: colocar pelo menos 250ml de creme de leite fresco (previamente refrigerado no refrigerador por no mínimo 8 horas).

Misturar na velocidade de 4 a 6 por cerca de 5 minutos: Não exceda a quantidade de ½ altura da tigela de creme de leite fresco derramado para manter espaço suficiente para chantilly.

#### UTILIZAÇÃO: Função de moedor

1. Corte todos os alimentos em pedaços (recomenda-se carne bovina ou suína sem tendões, desossada e sem gordura, de tamanho aproximado: (20 mm x 20 mm x 60 mm) para que se encaixem facilmente no tubo de picagem (17).
  2. Conecte o dispositivo e ligue-o e, em seguida, gire o botão de controle de velocidade (8) para 4-6 velocidades.
  3. Coloque os alimentos na bandeja de picagem (16). Use para isso apenas o empurrador de plástico (6).
  4. Após o uso, desligue o dispositivo e desconecte-o da fonte de alimentação.
  5. Não use mais do que 4 minutos continuamente por vez.
  6. O dispositivo é equipado com 3 peneiras com orifícios de 3mm, 5mm e 7mm de diâmetro, escolha a placa de orifícios adequada ao prato desejado.
- Peneira de 3 mm - malha fina para moagem até uma consistência bastante compacta e uniforme. Perfeito para recheio e patê.
  - Coador de 5 mm - malha média para moer carnes para costeletas picadas, hambúrgueres, almôdegas e recheios para bolinhos, panquecas e tortilhas. Com esta peneira, você também pode moer vegetais, queijo duro e até nozes.
  - Coador de 7 mm - malha grossa para picar carnes com estrutura diferenciada. A peneira destina-se à produção de enchidos e miúdos.

#### DISPOSITIVO DE PROTEÇÃO DE SOBREAQUECIMENTO

O dispositivo desligará automaticamente após 15 minutos de operação contínua para proteger o motor contra superaquecimento. É necessário desligar o dispositivo e deixá-lo esfriar antes da próxima utilização. O dispositivo quando resfriado funcionará normalmente.

#### LIMPEZA E MANUTENÇÃO

1. Antes de limpar o dispositivo, certifique-se de que o cabo de alimentação esteja desconectado da tomada e o botão de controle de velocidade esteja na posição "0". Deixe o dispositivo esfriar antes de limpar.
2. Desmonte todos os acessórios da carcaça do motor (2). Não limpe os acessórios enquanto estiverem montados no conjunto de acionamento da máquina.
3. Não use detergentes agressivos para limpar a carcaça do motor (2), pois isso pode remover os símbolos gráficos informativos como: escala, sinalização, marcas de segurança, etc.
4. Não lave as peças de metal em máquinas de lavar louça. Agentes de limpeza agressivos usados em máquinas de lavar louça fazem com que as peças de metal fiquem pretas. Lave as peças de metal à mão com detergente para a louça tradicional. Use uma escova macia.
5. Limpe as partes externas com pano de prato ou pano macio.
6. Não use materiais abrasivos para limpar o dispositivo.
7. Não mergulhe a carcaça do motor (1) em água ou outros líquidos.

#### DADOS TÉCNICOS

Fonte de alimentação: 220-240V ~ 50 / 60Hz

Potência: 1200W

Potência máxima: 2200W

Tigela de aço inoxidável 7 litros

Tempo máximo de operação em um ciclo: 15 minutos.

Tempo mínimo de descanso entre os ciclos: 10 minutos no mínimo.



Proteção do meio ambiente. Rogamos, os embalagens de cartão destinem-se para papéis velhos. Os sacos de polietileno (PE) devem-se colocar em contenedores para material plástico. O dispositivo usado deve-se levar a um ponto de armazenamento adequado porque os componentes perigosos que ficam dentro do dispositivo podem ser perigosos para o meio ambiente. O dispositivo elétrico deve-se entregar de modo que se reduza a sua nova utilização e uso. Se no dispositivo há pilhas, devem-se tirar e levar a um ponto de armazenamento em separado. Não colocar o dispositivo em contenedores para resíduos municipais!!

## LIETUVIŲ

### SAUGOS SĄLYGOS. SVARBIOS NAUDOJIMO NURODYMAI ATSARGIAI SKAITYKITE IR BŪKITE ATEITINĖS NUORODOS

Garantijos sąlygos skiriasi, jei prietaisas naudojamas komerciniais tikslais.

1. Prieš naudodami gaminį, atidžiai perskaitykite ir visada laikykitės toliau pateiktų nurodymų. Gamintojas neatsako už žalą, atsiradusią dėl netinkamo naudojimo.
2. Produktas turi būti naudojamas tik patalpose. Nenaudokite gaminio jokiems tikslams, kurie nesuderinami su jo taikymu.
3. Įrenginio įtampa yra 220-240V, ~ 50/60Hz. Saugumo sumetimais netinka prie vieno maitinimo lizdo prijungti kelis įrenginius.
4. Būkite atsargūs, kai naudojate aplink vaikus. Neleiskite vaikams žaisti su gaminiu. Neleiskite vaikams ar žmonėms, kurie nepažįsta prietaiso, juo naudotis be priežiūros.
5. [SPĖJIMAS: šį prietaisą gali naudoti vyresni nei 8 metų vaikai ir asmenys, turintys ribotą fizinį, jutiminių ar protinių galimybių, arba asmenys, neturintys patirties ar žinių apie prietaisą, tik prižiūrimi už jų saugumą atsakingo asmens, arba jei jie buvo instruktuoti saugaus prietaiso naudojimo ir žino apie pavojus, susijusius su jo veikimu. Vaikai

neturėtų žaisti su prietaisu. Prietaiso valymo ir priežiūros neturėtų atlikti vaikai, nebent jie yra vyresni nei 8 metų ir ši veikla atliekama prižiūrint.

6. Baigę naudoti gaminį visada nepamirškite švelniai ištraukti kištuko iš maitinimo lizdo ranka laikydami lizdą. Niekada netraukite maitinimo kabelio !!!
7. Niekada nepalikite gaminio prijungto prie maitinimo šaltinio be priežiūros. Net jei trumpam nutraukiamas naudojimas, išjunkite jį iš tinklo, atjunkite maitinimą.
8. Niekada nemeskite maitinimo laido, kištuko ar viso prietaiso į vandenį. Niekada nelaikykite gaminio atmosferos sąlygose, tokiose kaip tiesioginiai saulės spinduliai ar lietus ir pan. Niekada nenaudokite gaminio drėgnomis sąlygomis.
9. Periodiškai tikrinkite maitinimo kabelio būklę. Jei pažeistas maitinimo kabelis, gaminys turi būti perkeltas į profesionalų aptarnavimo vietą, kad būtų pakeista, kad būtų išvengta pavojingų situacijų.
10. Niekada nenaudokite gaminio su pažeistu maitinimo kabeliu, jei jis nukrito ar buvo pažeistas kitu būdu arba jei jis netinkamai veikia. Nebandykite patys taisyti sugedusio gaminio, nes tai gali sukelti elektros šoką. Visada pasukite sugadintą prietaisą į profesionalų aptarnavimo vietą, kad galėtumėte jį pataisyti. Visus remonto darbus gali atlikti tik įgalioti techninės priežiūros specialistai. Neteisingai atliktas remontas gali sukelti pavojingų situacijų vystymąsi.
11. Niekada nedėkite gaminio ant karštų ar šiltų paviršių ar virtuvės prietaisų, pvz., Elektrinės orkaitės ar dujinio degiklio.
12. Niekada nenaudokite gaminio šalia degių medžiagų.
13. Neleiskite laidui kabėti virš stalviršio krašto ir neliesiti karštų paviršių.
14. Siekiant užtikrinti papildomą apsaugą, maitinimo grandinėje rekomenduojama sumontuoti liekamosios srovės įtaisą (RCD), kurio likutinė srovė yra ne didesnė kaip 30 mA. Šiuo klausimu kreipkitės į profesionalų elektriką.
15. Prietaisas nėra skirtas pramoniniam maisto perdirbimui.
16. Nemerkite variklio į vandenį. Neplaukite indaplovėse. Nelaikykite prietaiso ir jo priedų aukštoje temperatūroje (virš 60 ° C).
17. Prieš valydami ar išimdami priedus, nustatykite greičio reguliatorių į „0“ padėtį ir atjunkite maitinimo laidą.
18. Prieš naudodami prietaisą patikrinkite, ar visos dalys ir priedai yra tinkamai sumontuoti:
  - planetinis virtuvinis kombainas: įsitikinkite, kad priedas yra visiškai įkištas į lizdą, kitaip jūsų maišymo rezultatas gali būti paveiktas.
  - mėsmalė: malimo agregatą reikia kruopščiai surinkti. Dėl netikslaus surinkimo gali sutrikti šlifavimas, o peiliai ir skylės plokštės gali būti išblukusios.
19. Naudokite tik originalius priedus, pateiktus kartu su mėsmaliu ir planetiniu maisto kombainu.
20. Neperkraukite prietaiso gaminio pertekliumi ir neperkraukite jo per stipriai. Produktui įkišti naudokite tik stūmiklį. Naudodami kitus daiktus galite sugadinti mėsmalę.
22. Malta mėsa turi būti be kaulų, raukšlių, sausgyslių ar venų. Didesnes dalis supjaustykite gabalėliais.
23. Neuždenkite ventiliacijos angų korpuse, kai prietaisas įjungtas.
24. Nemalti sausų aguonų. Prieš malimą aguonas reikia garuoti ir mirkyti.
25. Nepilkite  $\frac{3}{4}$  dubenėlio aukščio, kai pripildote maisto ingredientų.
26. Prietaisą laikykite vaikams nepasiekiamoje vietoje.

Produkto aprašymas: Daugiafunkcinis planetinis virtuvinis kombainas Ad4221

- |                                   |  |
|-----------------------------------|--|
| 1. Korpuso svirtis                | 2. Variklio korpusas                         |
| 3. Apsauga nuo pūrslių            | 4. Maišymo dubuo 7,0 litrai                  |
| 5. Priešinis smulkinimo dangtelis | 6. Plastikinis stūmiklis                     |
| 7. Pakreipimo rankenėlė           | 8. Greičio valdymo rankenėlė                 |
| 9. Kiaušinių plaktuvas            | 10. Maišymo plakiklis                        |
| 11. Tešlos kablys                 | 12. Tvirtinimo veržlė                        |
| 13. 3, 5, 7 mm sieteliai          | 14. Kryžminis ašmenys                        |
| 15. Sliėkinė pavara               | 16. Smulkinimo padėklas                      |
| 17. Malimo kamera                 | 18. Maišytuvo tvirtinimo lizdas su spyruokle |

## PRIEŠ PIRMA NAUDOJIMA

1. Prieš naudojant pirmą kartą, visos prietaiso dalys turi būti kruopščiai išvalytos. Žr. Skyrių „Valymas ir priežiūra“.
  2. Pastatykite prietaisą ant horizontalaus ir lygaus paviršiaus.
  3. Niekada nenaudokite prietaiso be priežiūros.
  4. Nelieskite judančių dalių pirštais. Prieš atidarydami dubenį, leiskite besisukantiems priedams sustoti.
- ĮSPĖJIMAS: NENAUDOKITE** Maišymo ir malimo funkcijų tuo pačiu metu !! NAUDOTI TIK VIENĄ JŲ.
- Naudojant maišymo funkciją, priekinis dantis (5) turi būti savo vietoje.
  - Naudojant malimo funkciją, dubuo (4) su dangteliu nuo pusrū (3) turi būti savo vietoje, kad apsaugotų galutinį vartotoją nuo maišytuvo tvirtinimo lizdo su spyruokle (18) sukimosi.
5. Prieš keisdami priedus, išjunkite prietaisą ir atjunkite jį nuo maitinimo šaltinio.

## SURINKIMO BŪDAS: maišytuvo funkcija

Prieš surinkdami virtuvinį kombainą įsitikinkite, kad maitinimo laidas yra atjungtas nuo maitinimo lizdo, o greičio reguliavimo rankenėlė yra „0“ padėtyje.

1. Įdėkite dubenį į variklio bloką, tada pasukite pagal laikrodžio rodyklę, kol pajusite, kad jis nebegali judėti į kairę. Dubuo užblokuotas.
2. Pasirinkite tinkamą priedą prie reikiamos operacijos:
  - Kiaušinių plakimas (9) plakimui: kiaušinių baltymai, pyrago kremai, plakta grietinėlė ir kt.
  - Maišymo plakiklis (10), skirtas maišyti lengvus mišinius: majoneza, blynų tešla, biskvita ir kt.
  - Tešlos kablukas (11) sunkiai tešlai minkyti: duonos tešla, mielinė tešla ir kt.
3. Uždėkite tinkamą priedą (9 arba 10 arba 11) ant maišytuvo tvirtinimo lizdo varžto su spyruokle (18). Sureguliuokite dviejų išsikišusių metalinių elementų padėtį, kad jie patektų į igaubtas maišytuvo tvirtinimo lizdo vietas su spyruokle (18) - pažūrėkite į A paveikslėlį. Stumkite priedą aukštyn, kol spyruoklė bus visiškai suspausta, visiškai pasukite pagal laikrodžio rodyklę ir atleiskite - pažūrėkite į paveikslėlį B.
4. Įdėkite maisto ingredientus į dubenį ir paspauskite pakreipimo rankenėlę (7) žemyn, kad uždarytumėte korpuso svirtį (1).
5. Įjunkite prietaisą ir pasukite greičio rankenėlę (8) noriamam greičiui. Greitis 0 reiškia variklio sustojimą, 1 greitis - lėčiausią greitį, 6 greitis - maksimalų sukimąsi. P - reiškia pulso režimą, tai reiškia pavarų impulsinį sukimąsi, kai rankenėlė (8) laikoma pulso padėtyje.
6. Po naudojimo išjunkite prietaisą, pasukdami greičio rankenėlę (8) į 0 padėtį ir išjunkite prietaisą.
7. Paspauskite pakreipimo rankenėlę (7) žemyn, kad pakeltumėte korpuso svirtį (1). Jei sumaišytas mišinys yra tinkamas, nuimkite priedą. Norėdami nuimti priedą, šiek tiek pakelkite jį, kad spyruoklė būtų visiškai suspausta, tada pasukite visą priedą į kairę ir patraukite žemyn.
8. Pasukite dubenį (4) prieš laikrodžio rodyklę ir laikydami abiem rankomis išimkite jį iš variklio korpuso (2). Atminkite, kad dubuo gali būti sunkus.

## SURINKIMO BŪDAS: malūnėlio funkcija

1. Uždėkite dubenį (4) ant variklio korpuso (2) ir uždarykite korpuso svirtį (1), paspausdami pakreipimo rankenėlę (7). Nemontuokite jokių priedų dubenėlio viduje (4). Būtina apsaugoti jus nuo maišytuvo tvirtinimo lizdo sukimosi su spyruokle (18). Įprasta, kad maišytuvo priedas su spyruokle (18) sukasi dubenėlio viduje, kai naudojamas smulkintuvas.
  2. Nuimkite priekinį dangtį (5), kad nustatytumėte malūnėlį.
  3. Smulkinio kameroje (17) įdėkite sileiknę pavarą (15), kitą - teisinga smulkinio skersinį peilį (14). Atkreipkite dėmesį, kad padėkite jį į tinkamą pusę, kaip parodyta C paveiksle. Tada uždėkite tinkamą sieta (13) ir pabaigoje lengvai užsukite tvirtinimo veržlę (12).
- PASTABA:** Tvirtinimo veržlę (12) reikia lengvai prisukti, prieš surinkdami visą malimo agregatą prie variklio korpuso (2). Sešiakampės skylės padėtį (D1 pav.) Smulkinio įrenginyje reikia pritaikyti prie šešiakampio veleno variklio korpuso (2).
4. Pastatykite smulkintuvo įrenginį į D3 paveiksle pavaizduotą padėtį (nuolydžiu padėtis), įstumkite jį į variklio korpusą (2) ir pasukite kairėn į vertikalią padėtį, parodyta D4 paveikslyje. Juodas apvalus mygtukas, esantis netoli smulkintuvo, grįš į išsikišusią padėtį. Dabar tvirtai užsukite tvirtinimo veržlę (12).
  5. Sumalkite malimo padėklą (16) ant smulkinio kameros (17) viršaus.
  6. Norėdami išardyti mėsmalę, paspauskite juodą apvalų mygtuką atvirkštine tvarka.

## NAUDOJIMAS: maišytuvo funkcija

- Sunkios tešlos minkymas (duonos tešla, mielinė tešla ir kt.)  
Surinkite tešlos kabluką (11). Įdėkite maisto ingredientus į dubenį. Siūlomas miltų ir vandens santykis: 5: 3. Maksimalus miltų kiekis: 1500 g. Rekomenduojama pradėti minkyti 1 arba 2 greičiu ne ilgiau kaip 20 sekundžių. Tada nustatykite greitį 3 ir vienu metu dirbkite ne ilgiau kaip 4 minutes.
- Lengvų mišinių maišymas (majonezas, blynų tešla, biskvitas ir kt.)  
Surinkite maišytuvą (10). Įdėkite maisto ingredientus į dubenį iki ¾ aukščio. Įjunkite 3-4 greitį ir maišykite tiek, kiek reikia, kad pasiektumėte norimą tankį. Vienu metu naudokite ne ilgiau kaip 4 minutes.
- Plakimas (kiaušinių baltymai, pyrago kremai, plakta grietinėlė ir kt.)  
Surinkite kiaušinių plakinį (9).  
Kiaušinių baltymų plakimas: į dubenį įmaukite kiaušinių baltymus iki 24 kiaušinių. Įjunkite greitį 4–6 ir maišykite, maždaug 5 minutes, kol sutirštės. Maišymo laikas priklauso nuo kiaušinių dydžio.  
Plakta grietinėlė: įdėkite bent 250 ml šviežios grietinės (anksčiau atšaldytos šaldytuve mažiausiai 8 valandoms). Maišykite 4–6 greičiu maždaug 5 minutes. Neviršykite ½ aukščio dubenėlio su pilama šviežia grietinėle, kad liktų pakankamai vietos plaktajai grietinėlei.

## NAUDOJIMAS: malūnėlio funkcija

1. Supjaustykite visus maisto produktus į gabalus (rekomenduojama be kaulų, be kaulų ir be riebalų jautiena arba kiauliena, apytiksliai tokio dydžio: (20 mm x 20 mm x 60 mm), kad jie lengvai tilptų į malimo vamzdelį (17).
2. Įjunkite prietaisą ir įjunkite, tada pasukite greičio reguliavimo rankenėlę (8) iki 4–6 greičių.
3. Įdėkite maistą į smulkinio padėklą (16). Tam naudokite tik plastikinį stūmiklį (6).
4. Po naudojimo išjunkite prietaisą ir atjunkite jį nuo maitinimo šaltinio.
5. Vienu metu naudokite ne ilgiau kaip 4 minutes.
6. Prietaisas turi 3 sietus, kurių skylių skersmuo 3 mm, 5 mm ir 7 mm, pasirinkdami tinkamą skylių plokštelę prie jūsų norimo patiekalo.
  - 3 mm sietas - plonas tinkelis šlifavimui iki gana kompaktiškos, vienodos konsistencijos. Puikiai tinka įdarui ir paštetui.
  - 5 mm filtras - vidutinio dydžio tinkelis mėsai malti, skirtas maltiems kotletams, mėsiniams, kotletams ir koldūnų, blynų ir tortilijų įdarams. Naudojami šį filtrą taip pat galite sumalti daržoves, kietąjį sūrį ir net riešutus.
  - 7 mm filtras - storas tinkelis, skirtas mėsai malti, turintis išskirtinę struktūrą. Sietelis skirtas dešrelėms ir blynams gaminti.

## APSAUGOS KAITIMO ĮRENGINIS

Įrenginys automatiškai išsijungs po 15 minučių nepertraukiamo veikimo, kad apsaugotų variklį nuo perkaitimo. Prieš kitą naudojimą

prietaisā reikia išjungti ir leisti jam atvėsti. Atvėšęs prietaisas veiks normaliai.

#### VALYMAS IR PRIEŽIŪRA

1. Prieš valydami prietaisą įsitikinkite, kad maitinimo laidas yra atjungtas nuo maitinimo lizdo ir greičio reguliavimo rankenėlė yra „0“ padėtyje. Prieš valydami leiskite prietaisui atvėsti.
2. Išmontuokite visus priedus iš variklio korpuso (2). Nevalykite priedų, kai jie sumontuoti ant mašinos pavaros agregato.
3. Nenaudokite agresyvių ploviklių variklio korpusui (2) valyti, nes tai gali pašalinti informacinius grafinius simbolius, tokius kaip: skalė, ženklai, saugos ženklai ir kt.
4. Neplaukite metalinių dalių indaplovėse. Indaplovėse naudojamose agresyvioje valymo priemonės metalines dalis pajuodouoja. Metalines dalis plaukite rankomis naudodami tradicinį ploviklį. Naudokite minkštą šepetėlį.
5. Nuvalykite išorines dalis virtuviniu rankšluosčiu arba minkšta šluoste.
6. Prietaisui valyti nenaudokite abrazyvinių medžiagų.
7. Nemerkite variklio korpuso ( ) į vandenį ar kitus skysčius.

#### TECHNINIAI DUOMENYS

Maitinimas: 220-240V ~ 50/60Hz

Galia: 1200W

Maksimali galia: 2200W

Nerūdijančio plieno dubuo 7 litrai

Maksimalus veikimo laikas per vieną ciklą: 15 minučių.

Minimalus poilsio laikas tarp ciklų: mažiausiai 10 minučių.



Rūpinantis aplinka. Kartono pakuotes atiduoti į makulatūrą. Polietileno (PE) maišelius mesti į plastikui skirtą konteinerį. Susidėvėjusį prietaisą atiduoti į atitinkamą atliekų surinkimo vietą, nes prietaise esančios pavojingos medžiagos gali kelti grėsmę aplinkai. Elektrinį prietaisą atiduoti tokį, kad nebūtų galima jo pakartotinai naudoti ir panaudoti. Jeigu prietaise yra baterijos, būtina jas išimti ir atskirai atiduoti į atliekų surinkimo vietą. Nemesti prietaiso į buitinių atliekų konteinerį!

## LATVIEŠU

### DROŠĪBAS NOSACĪJUMI. SVARĪGI NORĀDĪJUMI PAR LIETOŠANAS DROŠĪBU LŪDZU, RŪPĪGI IZLASIET UN SAGLABĀJIET NĀKOTNES ATSAUCEI

Garantijas nosacījumi ir atšķirīgi, ja ierīce tiek izmantota komerciāliem mērķiem.

1. Pirms produkta lietošanas, lūdzu, rūpīgi izlasiet un vienmēr ievērojiet tālāk sniegtos norādījumus. Ražotājs nav atbildīgs par jebkādiem bojājumiem, kas radušies nepareizas lietošanas dēļ.
2. Produkts ir paredzēts lietošanai tikai iekštelpās. Nelietojiet izstrādājumu jebkādiem mērķiem, kas nav saderīgi ar tā pielietojumu.
3. Ierīces spriegums ir 220-240V, ~ 50/60Hz. Drošības apsvērumu dēļ nav pareizi savienot vairākas ierīces vienā kontaktligzdā.
4. Lūdzu, esiet piesardzīgs, lietojot kopā ar bērniem. Neļaujiet bērniem spēlēties ar izstrādājumu. Neļaujiet bērniem vai cilvēkiem, kuri nepazīst ierīci, to izmantot bez uzraudzības.
5. BRĪDINĀJUMS: šo ierīci drīkst izmantot bērni, kas vecāki par 8 gadiem, un personas ar ierobežotām fiziskām, maņu vai garīgām spējām, vai personas, kurām nav pieredzes vai zināšanas par šo ierīci, tikai tās personas uzraudzībā, vai ja viņi ir instruēti par ierīces drošu lietošanu un apzinās ar tās darbību saistītos draudus. Bērni nedrīkst spēlēties ar ierīci. Ierīces tīrīšanu un apkopi nedrīkst veikt bērni, ja vien viņi nav vecāki par 8 gadiem un šīs darbības tiek veiktas uzraudzībā.
6. Kad esat pabeidzis produkta lietošanu, vienmēr atcerieties, ka ar roku uzmanīgi izņemiet kontaktdakšu no kontaktligzdas. Nekad nevelciet barošanas kabeli !!!
7. Nekad neatstājiet izstrādājumu pieslēgtu strāvas avotam bez uzraudzības. Pat tad, ja lietošana īslaicīgi tiek pārtraukta, izslēdziet to no tīkla, atvienojiet strāvas padevi.
8. Nekad nelieciet strāvas kabeli, kontaktdakšu vai visu ierīci ūdenī. Nekad nepakļaujiet izstrādājumu atmosfēras apstākļiem, piemēram, tiešai saules gaismai vai lietum utt. Nekad neizmantojiet izstrādājumu mitros apstākļos.
9. Periodiski pārbaudiet strāvas kabeļa stāvokli. Ja strāvas kabelis ir bojāts, produkts jānogādā profesionālā servisa vietā, lai to nomainītu, lai izvairītos no bīstamām situācijām.

10. Nekad neizmantojiet izstrādājumu ar bojātu strāvas vadu, ja tas ir nokritis vai citādi bojāts vai ja tas nedarbojas pareizi. Nemēģiniet pats labot bojāto produktu, jo tas var izraisīt elektriskās strāvas triecienu. Vienmēr nogādājiet bojāto ierīci profesionālā servisa vietā, lai to salabotu. Visus remontdarbus var veikt tikai pilnvaroti servisa speciālisti. Nepareizi veikts remonts var radīt bīstamas situācijas lietotājam.

11. Nekad nelieciet izstrādājumu uz karstām vai siltām virsmām vai virtuves ierīcēm, piemēram, elektriskās cepeškrāsns vai gāzes degļa, vai to tuvumā.

12. Nekad neizmantojiet produktu degošu vielu tuvumā.

13. Neļaujiet vadam karāties virs letes malas vai pieskarties karstām virsmām.

14. Lai nodrošinātu papildu aizsardzību, ieteicams strāvas ķēdē uzstādīt atlikušās strāvas ierīci (RCD), ar atlikušās strāvas nominālo vērtību ne vairāk kā 30 mA. Sazinieties ar profesionālu elektriķi šajā jautājumā.

15. Ierīce nav paredzēta rūpnieciskai pārtikas pārstrādei.

16. Neiegremdējiet motora bloku ūdenī. Nemazgājiet trauku mazgājamajās mašīnās.

Nepakļaujiet ierīci un tās piederumus augstām temperatūrām (virs 60 ° C).

17. Pirms piederumu tīrīšanas un noņemšanas iestatiet ātruma regulatoru pozīcijā "0" un atvienojiet strāvas kabeli.

18. Pirms ierīces lietošanas pārbaudiet, vai visas detaļas un piederumi ir pareizi uzstādīti: - planētu virtuves kombains: pārlicinieties, ka piederums ir pilnībā ievietots kontaktligzdā, pretējā gadījumā tas var ietekmēt jūsu sajaukšanas rezultātu.

- gaļas mašīnā: slīpēšanas komplekts ir rūpīgi jāsamontē. Nepareiza montāža var izraisīt sliktu slīpēšanas veiktspēju un nažu un caurumu plāksnes izliekumu.

19. Izmantojiet tikai oriģinālos piederumus, kas piegādāti kopā ar gaļas mašīnā un planētas virtuves kombinā.

20. Nepārslogojiet ierīci ar produkta pārpalikumu un nespiediet to pārāk stipri. Produkta iebīdīšanai izmantojiet tikai stūmēju. Citu priekšmetu izmantošana var sabojāt gaļas mašīnā.

22. Maltā gaļā nedrīkst būt kaulu, grauzu, cipsu vai vēnu. Sagrieziet lielākās daļas gabalos.

23. Neaizsedziet ventilācijas atveres korpusā, kamēr ierīce ir ieslēgta.

24. Nesasmalciniet sausās mazoņu sēklas. Mazoņu sēklas pirms malšanas nepieciešams tvaicēt un iemērc.

25. Nepārsniedziet ¾ bļodas augstumu, ja to piepilda ar pārtikas sastāvdaļām.

26. Glabājiet ierīci bērniem nepieejamā vietā.

Produkta apraksts: Daudzfunkcionāls planētu virtuves kombains Ad4221

- |                                   |  |
|-----------------------------------|--|
| 1. Korpusa roka                   | 2. Motora korpus                             |
| 3. Pretšļakatu vāks               | 4. Maisīšanas trauks 7,0 litri               |
| 5. Gaļas mašīnas priekšējais vāks | 6. Plastmasas stūmējs                        |
| 7. Noliekt kloķi                  | 8. Ātruma vadības poga                       |
| 9. Olu noslaucīt                  | 10. Maisītājs                                |
| 11. Miklas āķis                   | 12. Piestiprināšanas uzgrieznis              |
| 13. Sieti 3, 5, 7 mm              | 14. Krustošanas asmens                       |
| 15. Tārpu pārnēsums               | 16. Malšanas paplāte                         |
| 17. Malšanas kamera               | 18. Maisītāja stiprinājuma ligzda ar atsperi |

#### PIRMS PIRMĀS LIETOŠANAS

1. Pirms pirmās lietošanas reizes visas ierīces daļas ir rūpīgi jāiztīra. Skatiet sadaļu "Tīrīšana un apkope".

2. Novietojiet ierīci uz horizontālas un līdzenas virsmas.

3. Nekad nedarbiniet ierīci bez uzraudzības.

4. Nepieskarieties kustīgām daļām ar pirkstiem. Pirms bļodas atvēršanas ļaujiet rotējošajiem piederumiem apstāties.

**BRĪDINĀJUMS: NELIETOJIET MAISIŠANAS UN MALDĪŠANAS FUNKCIJAS REIZI !! IZMANTO TIKAI VIENU NO TĀM.**

• Izmantojot sajaukšanas funkciju, priekšējam vākam (5) jāatrodas savā vietā.

• Izmantojot malšanas funkciju, bļodai (4) ar pretšļakatu vāku (3) jābūt novietotam vietā, lai aizsargātu galalietotāju no maisītāja stiprinājuma ligzdas rotācijas ar atsperi (18).

5. Pirms piederumu maiņas izslēdziet ierīci un atvienojiet to no barošanas avota.



## MONTĀŽAS VEIDS: Maistāja funkcija

Pirms virtuves kombaina salikšanas pārlicinieties, ka strāvas vads ir atvienots no kontaktlīdždas un ātruma regulēšanas poga ir pozīcijā "0".

1. Ievietojiet trauku motora blokā, pēc tam pagrieziet to pulksteņrādītāja virzienā, līdz jūtat, ka tas vairs nevar pārvietoties pa kreisi. Bļoda ir bloķēta.
2. Izvēlieties pareizo stiprinājumu nepieciešamajai darbībai:
  - Olu putotājs (9) putošanai: olu baltums, kūku krēmi, putukrējums utt.
  - Blenderis (10) vieglu maisījumu sajaukšanai: majonēze, pankūku mīkla, biskvīts utt.
  - Mīklas āķis (11) smagas mīklas mīcīšanai: maizes mīkla, rauga mīkla utt.
3. Uzlieciet pareizo stiprinājumu (9 vai 10 vai 11) uz maistāja stiprinājuma līdždas skrūves ar atsperi (18). Pielāgojiet divu izvīrztu metāla elementu stāvokli, lai tie ievietotos ieliektajās maistāja piesiprināšanas līdždas vietās ar atsperi (18) - skatiet attēlu A. Stumiet piederumu uz augšu, līdz atsperē ir pilnībā saspiesta, pagrieziet līdz galam pulksteņrādītāja virzienā un atlaidiet - skatiet attēlu B.
4. Ielieciet pārtikas sastāvdaļas bļodā un nospiediet noliekšanas pogu (7) uz leju, lai aizvērtu korpusa sviru (1).
5. Pievienojiet ierīci elektroflīklam un pagrieziet ātruma pogu (8), lai sasniegtu vajadzīgo ātrumu. Ātrums 0 nozīmē, ka motors ir apstājies, ātrums 1 nozīmē lēnāko ātrumu, ātrums 6 nozīmē maksimālo rotāciju. P - nozīmē impulsa režīmu, tas nozīmē pārnesumu griešanas, kad poga (8) ir pulsa stāvoklī.
6. Pēc lietošanas izslēdziet ierīci, pagriežot ātruma pogu (8) pozīcijā 0 un izslēdzot ierīci.
7. Nospiediet noliekšanas pogu (7) uz leju, lai paceltu korpusa sviru (1). Ja jautkais maisījums ir pareizs, noņemiet piederumu. Lai noņemtu pielikumu, nedaudz paceliet to, lai atsperē būtu pilnībā saspiesta, tad pagrieziet visu stiprinājumu pa kreisi un velciet to uz leju.
8. Pagrieziet bļodu (4) pretēji pulksteņrādītāja virzienam un ar abām rokām turiet to no motora korpusa (2). Atcerieties, ka bļoda var būt smaga.

## MONTĀŽAS VEIDS: slīpmašīnas funkcija

1. Novietojiet trauku (4) uz motora korpusa (2) un aizveriet korpusa sviru (1), nospiežot slīpuma pogu (7). Nemontējiet nekādus piederumus bļodas iekšpusē (4). Tas jāaizsargā pret maistāja stiprinājuma līdždas rotāciju ar atsperi (18). Tas ir normāli, ja maistāja pievienošanas līdžda ar atsperi (18) rotē bļodas iekšpusē, izmantojot gaļas mašīnu.
  2. Noņemiet priekšējo vāku (5), lai uzstādītu dzirnvaļus.
  3. Mašīnas kameras (17) iekšpusē ievietojiet tārpā zobratu (15), pēc tam pareizi ievietojiet mašīnas krusta asmeni (14). Pievērsiet uzmanību tam, lai tas būtu novietots tā labajā pusē, kā parādīts C attēlā. Tālāk ievietojiet pareizo sietu (13) un beigās viegli pieskrūvējiet stiprinājuma uzgriezni (12).
- PIEZĪME:** pirms montāžas uz motora korpusa (2) ir jāpieskrūvē stiprinājuma uzgrieznis (12). Sešstūra cauruma (attēls D1) pozīcija mašīnas ierīcē ir jāpielāgo motora korpusa sešstūra vārpstai (2).
4. Novietojiet smalcinātāja iekārtu pozīcijā, kas parādīta D3 attēlā (slīpuma stāvoklis), iespiediet to motora korpusā (2) un pagriezieties pa kreisi vertikālā stāvoklī, kas parādīts attēlā D4. Melnā, apaļā poga, kas atrodas mašīnas mašīnas tuvumā, atgriezīsies izvīrztajā stāvoklī. Tagad cieši pieskrūvējiet stiprinājuma uzgriezni (12).
  5. Uzstādiat mašīnas paplāti (16) mašīnas kameras (17) augšpusē.
  6. Lai izjauktu gaļas mašīnas bloku, nospiediet melno apaļo pogu, rīkojieties apgriezītā secībā.

## LIETOŠANA: Maistāja funkcija

- Smagas mīklas mīcīšana (maizes mīkla, rauga mīkla utt.)
- Salieciet mīklas āķi (11). Ielieciet pārtikas sastāvdaļas bļodā. Ieteicamā miltu un ūdens deva ir: 5: 3. Maksimālais miltu daudzums: 1500 g. Mīcīšanu ieteicams sākt ar 1. vai 2. ātrumu ne ilgāk kā 20 sekundes, nepārtraukti darbojoties. Pēc tam iestatiet ātrumu 3 un nepārtraukti darbiniet ne ilgāk kā 4 minūtes.
- Vieglu maisījumu sajaukšana (majonēze, pankūku mīkla, biskvīta kūka utt.)
- Salieciet maistāju (10). Ielieciet pārtikas sastāvdaļas bļodā līdz maksimālī ¼ bļodas augstumam. Ieslēdziet ātrumu 3-4 un samaisiet tik ilgi, lai sasniegtu vēlamu blīvumu. Vienlaicīgi lietojiet ne ilgāk kā 4 minūtes.
- Putošana (olu baltumi, kūku krēmi, putukrējums utt.)
- Salieciet olu noslaucīt (9).
- Olu baltumu putošanai: Bļodā ievietojiet olu baltumus līdz 24 olām. Ieslēdziet ātrumu 4-6 un samaisiet, apmēram 5 minūtes, līdz tas kļūst stingrs. Maisīšanas laiks ir atkarīgs no olu lieluma.
- Putukrējumam: ielieciet vismaz 250 ml svaiga krējuma (iepriekš atdzesētu ledusskapī vismaz 8 stundas). Maisiet to ar ātrumu 4 līdz 6 apmēram 5 minūtes. Nepārsniedziet ½ augstumu ielietā svaiga krējuma bļodā, lai pietiktu vietas putukrējuma krēmam.

## LIETOŠANA: slīpmašīnas funkcija

1. Sagrieziet visus pārtikas produktus gabalos (ieteicams bez čipsas, bez kauliem un beztauku liellopu gaļa vai cūkgaļa, aptuveni izmērs: (20 mm x 20 mm x 60 mm.), lai tie viegli iekļautos mašīnas caurulē (17).
2. Pievienojiet ierīci elektroflīklam un ieslēdziet un pēc tam pagrieziet ātruma regulēšanas pogu (8) līdz 4-6 ātrumiem.
3. Ielieciet pārtiku mašīnas paplātē (16). Tam izmantojiet tikai plastmasas stūmēju (6).
4. Pēc lietošanas izslēdziet ierīci un atvienojiet to no strāvas.
5. Vienlaicīgi lietojiet ne ilgāk kā 4 minūtes.
6. Ierīce ir aprīkota 3 sietos ar caurumu diametru 3 mm, 5 mm un 7 mm, izvēloties piemērotu atveru plāksni vēlamajam traukam.
  - 3 mm siets - smalka sieta mašīnai līdz diezgan kompakta, vienmērīgai konsistencei. Lielski piemērots pildījumam un pastētei.
  - 5 mm sietiņš - vidēja sieta gaļas mašīnai malto kotletēm, burgeriem, kotletēm un pildījumiem pelmeņiem, pankūkām un tortiļjām.
7. Izmantojiet šo sietiņu, varat sasalmcināt arī dārzeņus, cieta sieru un pat riekstus.
- 7 mm sietiņš - biezs siets gaļas mašīnai ar atšķirīgu struktūru. Siets ir paredzēts desu un gaļu ražošanai.

## Pārkaršanas aizsardzības ierīce

Ierīce automātiski izslēgsies pēc 15 minūšu nepārtrauktas darbības, lai pasargātu motoru no pārkaršanas. Pirms nākamās lietošanas ierīce ir jāizslēdz un jāļauj tai atdzist. Atdzesēta ierīce darbosies normāli.

## TĪRĪŠANA UN APKOPE

1. Pirms ierīces tīrīšanas pārlicinieties, ka strāvas vads ir atvienots no kontaktligzdas un ātruma regulēšanas poga ir pozīcijā "0". Pirms tīrīšanas ļaujiet ierīcei atdzist.
2. Izjauciet visus piederumus no motora korpusa (2). Neļīriet piederumus, kamēr tie ir uzstādīti uz mašīnas piedziņas komplekta.
3. Motora korpusa (2) tīrīšanai neizmantojiet agresīvus mazgāšanas līdzekļus, jo tas var noņemt informatīvos grafiskos simbolus, piemēram: mērogu, zīmes, drošības zīmes utt.
4. Nemazgājiet metāla daļas trauku mazgājamajās mašīnās. Trauku mazgājamās mašīnās izmantotie agresīvie tīrīšanas līdzekļi izraisa metāla detaļu melnumu. Metāla detaļas mazgājiet ar rokām, izmantojot tradicionālo mazgāšanas līdzekli. Izmantojiet mikstu suku.
5. Noslaukiet ārējās daļas ar virtuves dvieļi vai mikstu drānu.
6. Ierīces tīrīšanai neizmantojiet abrazīvus materiālus.
7. Neiegremdējiet motora korpusu ( ) ūdenī vai citos šķidrumsos.

## TEHNISKIE DATI

Barošanas avots: 220-240V ~ 50/60Hz

Jauda: 1200W

Maksimālā jauda: 2200W

Bloda no nerūsējošā tērauda 7 litri

Maksimālais darbības laiks vienā ciklā: 15 minūtes.

Minimālais atpūtas laiks starp cikliem: vismaz 10 minūtes.



Apkārtējās vides aizsardzība. Kartona iepakojumu, lūdzu, nododiet atsevišķai pārstrādei. Polietilēna maisinūs (PE) izmest plastmasas izstrādājumiem paredzētajos konteineros. Lietotās elektropreces nododiet attiecīgajos pieņemšanas punktos. Ierīcē satur bīstamas sastāvdaļas, kas var izraisīt draudus apkārtējai videi. Elektroierīce jānodod tā, lai ierobežotu tās atkārtotu izmantošanu. Ja ierīcē atrodas baterijas, izņemiet tās un nododiet pieņemšanas punktā atsevišķi. Produktu neizmest sadzīves atkritumu konteinerā!

## EESTI

### OHUTUSTINGIMUSED. OLULISED KASUTUSOHUTUSJUHISED PALUN LUGEGE HOOLIKALT JA JÄTKA JÄRGMISEKS

Garantiitingimused on erinevad, kui seadet kasutatakse ärilistel eesmärkidel.

1. Enne toote kasutamist lugege hoolikalt läbi ja järgige alati järgmisi juhiseid. Tootja ei vastuta väärkasutusest tulenevate kahjude eest.
2. Toodet tohib kasutada ainult siseruumides. Ärge kasutage toodet ühelgi eesmärgil, mis ei ühildu selle rakendusega.
3. Seadme pinge on 220-240V, ~ 50/60Hz. Ohutuse huvides ei ole asjakohane ühendada mitut seadet ühte vooluvõrku.
4. Laste läheduses kasutamisel olge ettevaatlik. Ärge laske lastel tootega mängida. Ärge lubage lastel ega inimestel, kes seadet ei tunne, seda ilma järelevalveta kasutada.
5. HOIATUS: Seda seadet võivad kasutada üle 8-aastased lapsed ja piiratud füüsiliste, sensorsete või vaimsete võimetega isikud või isikud, kellel pole seadmest kogemusi ega teadmisi, ainult nende ohutuse eest vastutava isiku järelevalve all või kui neid juhendati seadme ohutuks kasutamiseks ja nad on teadlikud selle kasutamise seotud ohtudest. Lapsed ei tohiks seadmega mängida. Seadet ei tohi puhastada ega hooldada lapsed, välja arvatud juhul, kui nad on üle 8 -aastased ja neid toiminguid teostatakse järelevalve all.
6. Kui olete toote kasutamise lõpetanud, ärge unustage alati õrnalt eemaldada pistik vooluvõrgust, hoides seda käega. Ärge kunagi tõmmake toitekaablit !!!
7. Ärge jätke toodet toiteallikaga ühendatud ilma järelevalveta. Isegi kui kasutamine on lühikeseks ajaks katkestatud, lülitage see võrgust välja ja eemaldage toide vooluvõrgust.
8. Ärge kunagi pange toitekaablit, pistikut ega kogu seadet vette. Ärge kunagi jätke toodet atmosfääri, näiteks otsese päikesevalguse või vihma kätte. Ärge kunagi kasutage toodet niisketes tingimustes.
9. Kontrollige perioodiliselt toitekaabli seisukorda. Kui toitekaabel on kahjustatud, tuleb

toode ohtlike olukordade vältimiseks asendada professionaalse teenindusega.

10. Ärge kunagi kasutage toodet kahjustatud toitekaabliga või kui see on maha kukkunud või muul viisil kahjustatud või kui see ei tööta korralikult. Ärge proovige kahjustatud toodet ise parandada, kuna see võib põhjustada elektrilöögi. Pöörake kahjustatud seade parandamiseks alati professionaalse teeninduspunkti. Kõiki parandustöid saavad teha ainult volitatud hooldustöötajad. Valesti tehtud remont võib põhjustada kasutajale ohtlikke olukordi.

11. Ärge kunagi asetage toodet kuumade või kuumade pindade või köögiseadmete (nt elektriahi või gaasipõleti) peale ega lähedale.

12. Ärge kunagi kasutage toodet põlevate ainete läheduses.

13. Ärge laske juhtmel rippuda üle leti serva ega puudutada kuumi pindu.

14. Täiendava kaitse tagamiseks on soovitatav toiteahelasse paigaldada jääkvoolu seade (RCD), mille jääkvoolu nimiväärtus ei ületa 30 mA. Võtke selles küsimuses ühendust professionaalse elektrikuga.

15. Seade ei ole ette nähtud tööstuslikuks toiduainete töötlemiseks.

16. Ärge kastke mootorseadet vette. Ärge peske nõudepesumasinas. Ärge jätke seadet ja selle tarvikuid kõrgetele temperatuuridele (üle 60 ° C).

17. Enne tarvikute puhastamist ja eemaldamist seadke kiiruse regulaator asendisse "0" ja eemaldage toitekaabel.

18. Enne seadme kasutamist kontrollige, kas kõik osad ja tarvikud on korralikult paigaldatud:

- planetaarne köögikombain: veenduge, et lisaseade oleks pistikupessa täielikult sisestatud, vastasel juhul võib see teie segamistulemust mõjutada.

- hakklihamasin: jahvatusseade tuleb hoolikalt kokku panna. Ebaõige kokkupanek võib põhjustada halva lihvimistulemuse ning noa ja auguplaadi nüristumise.

19. Kasutage ainult originaaltarvikuid, mis on kaasas hakklihamasina ja planetaarse köögikombainiga.

20. Ärge koormake seadet üle tootega ega suruge toodet liiga tugevasti sisse. Kasutage toote lükkamiseks ainult tõukurit. Muude esemete kasutamine võib hakklihamasinat kahjustada.

22. Jahvatatav liha ei tohi sisaldada luid, karvu, kõõlusi ega veene. Lõika suuremad osad tükkideks.

23. Ärge katke korpuse ventilatsiooniväändid, kui seade on sisse lülitatud.

24. Ärge jahvatage kuiva mooniseemneid. Enne jahvatamist tuleb mooniseemned aurutada ja leotada.

25. Toidu koostisosadega täitmisel ärge ületage ¾ kausi kõrgust.

26. Hoidke seadet lastele kättesaamatus kohas.

Tootekirjeldus: Multifunktsionaalne planetaarne köögikombain Ad4221

1. Korpusehoob

2. Mootori korpus

3. Pritsmetevastane kate

4. Segamishõõ 7,0 liitrit

5. hakklihamasina esikaas

6. plastist tõukur

7. Kallutusnupp

8. Kiiruse juhtnupp

9. Munapulber

10. Segamispeksja

- |                       |                                 |
|-----------------------|---------------------------------|
| 11. Taignakonks       | 12. Kinnitusmutter              |
| 13. Sõelad 3, 5, 7 mm | 14. Hõõguv risttera             |
| 15. ussivarustus      | 16. hakkimisalus                |
| 17. Hakkamber         | 18. Seguri kinnituspesa vedruga |

#### ENNE ESIMEST KASUTAMIST

1. Kõik seadme osad tuleb enne esmakordset kasutamist põhjalikult puhastada. Vt osa: „Puhastamine ja hooldus”.
  2. Asetage seade horisontaalsele ja tasasele pinnale.
  3. Ärge kunagi kasutage seadet ilma järelevalveta.
  4. Ärge puudutage sõrmedega liikuvaid osi. Enne kausi avamist laske pöörlevatel tarvikutel peatuda.
- HOIATUS: ÄRGE KASUTAGE SEKAMIS- JA MINKIMISFUNKTSIOONI samal ajal !! KASUTAGE AINULT ÜKS NEIST.
- Segamisfunktsiooni kasutamisel peab esikaas (5) olema oma kohal.
  - Hakkimisfunktsiooni kasutamisel peaks pritsmekindla kaanega (3) kauss (4) paiknema oma kohal, et kaitsta lõppkasutajat vedruga (18) segisti pesa pöörlemise eest.
5. Enne tarvikute vahetamist lülitage seade välja ja vooluvõrgust.

#### KOKKUVÕTE: segisti funktsioon

Enne kõigikombaini kokkupanekut veenduge, et toitejuhe on vooluvõrgust lahti ühendatud ja kiiruse reguleerimise nupp on asendis "0".

1. Asetage kauss mootoriseadmesse ja keerake seda päripäeva, kuni tunnete, et see ei saa enam vasakule liikuda. Kauss on blokeeritud.
2. Valige nõutav toiming:
  - Munaviht (9) vahustamiseks: munavalged, koogikreemid, vahukoor jne.
  - mikser (10) kergete segude segamiseks: majonees, pannkoogitainas, rullbiskviit jne.
  - Taignakonks (11) raske taigna sõtkumiseks: leivatainas, pärmitainas jne.
3. Asetage õige kinnitus (9 või 10 või 11) segisti kinnituspesa poldile koos vedruga (18). Reguleerige kahe väljaulatava metallielemendi asendit, et need oleksid vedruga segisti pesa nõgusadesse kohtadesse (18) - vaadake pilti A. Lükake lisaseadet üles, kuni vedru on täielikult kokku surutud, keerake päripäeva ja vabastage - vaadake pilti B.
4. Pange toidu koostisosad kaussi ja vajutage korpusehoova (1) sulgemiseks kallutusnuppu (7) allapoole.
5. Ühendage seade vooluvõrku ja pöörake kiiruse nuppu (8) soovitud kiiruse jaoks. Kiirus 0 tähendab mootori seiskumist, kiirus 1 tähendab kõige aeglasemat kiirust, kiirus 6 tähendab maksimaalset pöörlemist. P - tähendab impulssrežiimi, see tähendab hammasraste pöörlemist, kui nuppu (8) hoitakse impulsi asendis.
6. Pärast kasutamist lülitage seade välja, keerates kiiruse nupp (8) asendisse 0 ja lülitage seade välja.
7. Korpusehoova (1) tõstmiseks vajutage kallutusnuppu (7) allapoole. Kui segatud segu on õige, eemaldage lisaseade. Lisaseadme äravõtmiseks tõstke seda veidi, et vedru täielikult kokku suruda, seejärel keerake kogu kinnitus vasakule küljele ja tõmmake see alla.
8. Keerake kaussi (4) vastupäeva ja eemaldage see mõlema käega hoides mootorikorpusest (2). Pidage meeles, et kauss võib olla raske.

#### KOKKUVÕTE: veski funktsioon

1. Asetage kauss (4) mootorikorpusele (2) ja sulgege korpusehoob (1), vajutades kallutusnuppu (7). Ärge pange kausi (4) sisse mingeid lisaseadmeid. See peab kaitsma teid segisti lisapesa pöörlemise eest vedruga (18). On tavaline, et hakklihamasina kasutamisel pöörleb segisti kinnituspesa vedruga (18) kausi sees.
  2. Eemaldage veski seadistamiseks esikaas (5).
  3. Asetage hakkimiskambri (17) ussikang (15), seejärel asetage hakkliistu (14) õigesti. Pöörake tähelepanu selle õigele küljele, nagu on näidatud pildil C. Seejärel asetage õige sõel (13) ja keerake kergelt kinnitusmutter (12) otsa.
- TÄHELEPANU: kinnitusmutter (12) tuleb kergelt kruvida, enne kui kogu hakkimisseade mootori korpuse (2) külge monteeritakse.
- Kuusnurkse ava (joonis D1) asendit hakkimisseadmes tuleb kohandada mootori korpuses (2) oleva kuusnurkse võlliiga.
4. Asetage hakklihamasin pildil D3 näidatud asendisse (kaldasend), lükake see mootori korpuse (2) sisse ja pöörake vasakule vertikaalsesse asendisse, mis on näidatud pildil D4. Hakklihamasina läheduses olev must ümmargune nupp naaseb väljaulatavasse asendisse. Keerake kinnitusmutter (12) nüüd tihedalt kinni.
  5. Paigaldage hakkimisalus (16) hakkimiskambri (17) ülaosale.
  6. Hakklihamasina lahtivõtmiseks vajutage musta ümarat nuppu vastupidises järjekorras.

#### KASUTAMINE: segisti funktsioon

- Raske taigna sõtkumine (leivatainas, pärmitainas jne)
- Pange tainakonks (11) kokku. Pange toidu koostisosad kaussi. Soovitatav jahu ja vee suhe on: 5: 3. Maksimaalne jahu kogus: 1500 g. Soovitatav on sõtkumist alustada kiirusel 1 või 2 mitte kauem kui 20 sekundit. Järgmisena seadistage kiirus 3 ja töötage mitte kauem kui 4 minutit järjest.
- Kergete segude segamine (majonees, pannkoogitainas, rullbiskviit jne)
- Pange segisti (10) kokku. Pange toidu koostisosad kaussi maksimaalselt ¾ kaussi kõrgele. Lülitage kiirus 3-4 sisse ja segage nii kaua, kuni soovitud tihedus on saavutatud. Kasutage järjest mitte kauem kui 4 minutit.
- Vahustamine (munavalged, koogikreemid, vahukoor jne)
- Pange munaviht kokku (9).
- Munavalgete vahustamiseks: Pange munavalged kaussi kuni 24 muna. Lülitage kiirus 4-6 sisse ja segage, umbes 5 minutit, kuni see

muutub tugevaks. Segamisaeg sõltub munade suuruselt.

Vahukoore jaoks: pange vähemalt 250 ml värsket koort (eelnevalt külmkapis vähemalt 8 tundi jahutatud). Segage seda kiirusega 4–6 umbes 5 minutit. Ärge ületage ½ kõrge kaussi valatud värske koore kogust, et vahukoore jaoks jääks piisavalt ruumi.

#### KASUTAMINE: veski funktsioon

1. Lõika kõik toiduained tükkideks (soovitav on kondita, kondita ja rasvatu veiseliha või sealiha), mille suurus on ligikaudu: (20 mm x 20 mm x 60 mm.), nii, et need sobiksid kergesti hakkimistorusse (17).
2. Ühendage seade vooluvõrku ja lülitage see sisse ning keerake kiiruse reguleerimisnupp (8) 4-6 kiirusele.
3. Sööge toitu hakkimisalusele (16). Kasutage selleks ainult plastist tõukurit (6).
4. Pärast kasutamist lülitage seade välja ja eemaldage see vooluvõrgust.
5. Kasutage järjest mitte kauem kui 4 minutit.
6. Seade on varustatud 3 sõelaga, mille augud on läbimõõduga 3 mm, 5 mm ja 7 mm, valides soovitud tassile sobiva augu.
  - 3 mm sõel - peen võrk jahvatamiseks üsna kompakste ühtlase konsistentsini. Sobib ideaalselt täidiseks ja pasteediks.
  - 5 mm kum - keskmine võrk liha jahvatamiseks hakkliha kotlettide, burgerite, lihapallide ja täidiste jaoks pelmeenide, pannkookide ja tortillade jaoks. Selle kurna abil saate jahvatada ka köögivilju, kõva juustu ja isegi pähkleid.
  - 7 mm kum - paks võrk erineva struktuuriga liha jahvatamiseks. Kum on mõeldud vorstide ja viilude valmistamiseks.

#### Ülekuumenemise kaitseseade

Seade lülitub automaatselt välja pärast 15 -minutilist pidevat töötamist, et kaitsta mootorit ülekuumenemise eest. Enne järgmist kasutamist tuleb seade vooluvõrgust välja lülitada ja jahtuda. Seade töötab jahtunud normaalselt.

#### PUHASTAMINE JA HOOLDUS

1. Enne seadme puhastamist veenduge, et toitejuhe on vooluvõrgust lahti ühendatud ja kiiruse reguleerimisnupp on asendis "0". Enne puhastamist laske seadmel jahtuda.
2. Võtke kõik tarvikud mootorikorpuse küljest lahti (2). Ärge puhastage tarvikuid, kui need on masina ajamikoostele paigaldatud.
3. Ärge kasutage mootori korpuse (2) puhastamiseks agressiivseid pesuvahendeid, kuna need võivad eemaldada informatiivsed graafilised sümbolid, näiteks: skaala, märgid, ohutusmärgid jne.
4. Ärge peske metallosi nõudepesumasinate. Nõudepesumasinate kasutatavad agressiivsed puhastusvahendid muudavad metallosad mustaks. Peske metallosi käsitsi traditsioonilise nõudepesuvahendiga. Kasutage pehmet harja.
5. Pühkige välisosad köögrätiku või pehme lapiga.
6. Ärge kasutage seadme puhastamiseks abrasiivseid materjale.
7. Ärge kastke mootori korpust ( ) vette ega muudesse vedelikesse.

#### TEHNILISED ANDMED

Toide: 220-240V ~ 50/60Hz

Võimsus: 1200W

Maksimaalne võimsus: 2200W

Roostevabast terasest kauss 7 liitrit

Maksimaalne tööaeg ühes tsükliis: 15 minutit.

Minimaalne puhkeaaeg tsükliite vahel: vähemalt 10 minutit.



Hoolitse keskkonnakaitse eest.

Kartongist pakendid vii makulatuuri. Kilekotid (PE) viska kasutatud plastiku jaoks ettenähtud mahutitesse. Kasutatud seadmed vii selleks ettenähtud kogumispunktidesse, sest seadmes leiduvad ohtlikud elemendid võivad olla kahjulikud keskkonnale. Elektriseadmed tuleb anda nii ära, et seadet ei saaks enam uuesti kasutada. Kui seadmes on patareid, tuleb need välja võtta ja anda eraldi kogumispunkti. Seadet ei tohi visata olmejäätmete konteineritesse!!

## ROMÂNĂ

### CONDIȚII DE SIGURANȚĂ. INSTRUCȚIUNI IMPORTANTE PRIVIND SIGURANȚA DE UTILIZARE

#### CITIȚI CU ATENȚIE ȘI PĂSTRAȚI PENTRU REFERINȚE VIITOARE

Condițiile de garanție sunt diferite, dacă dispozitivul este utilizat în scopuri comerciale.

1. Înainte de a utiliza produsul, vă rugăm să citiți cu atenție și să respectați întotdeauna următoarele instrucțiuni. Producătorul nu este responsabil pentru daunele cauzate de utilizarea abuzivă.
2. Produsul trebuie utilizat numai în interior. Nu utilizați produsul în niciun scop care nu este compatibil cu aplicația sa.
3. Tensiunea dispozitivului este de 220-240V, ~ 50 / 60Hz. Din motive de siguranță, nu este adecvat să conectați mai multe dispozitive la o priză de curent.
4. Vă rugăm să fiți precauți atunci când folosiți copii. Nu lăsați copiii să se joace cu produsul.

Nu permiteți copiilor sau persoanelor care nu cunosc dispozitivul să îl folosească fără supraveghere.

5. AVERTISMENT: Acest dispozitiv poate fi utilizat de copii cu vârsta peste 8 ani și de persoane cu capacități fizice, senzoriale sau mentale reduse sau de persoane fără experiență sau cunoștințe ale dispozitivului, numai sub supravegherea unei persoane responsabile de siguranța lor sau dacă au fost instruiți cu privire la utilizarea în siguranță a dispozitivului și sunt conștienți de pericolele asociate funcționării acestuia. Copiii nu trebuie să se joace cu dispozitivul. Curățarea și întreținerea dispozitivului nu trebuie efectuate de copii, cu excepția cazului în care aceștia au peste 8 ani și aceste activități se desfășoară sub supraveghere.

6. După ce ați terminat de utilizat produsul, amintiți-vă întotdeauna să scoateți ușor ștecherul de la priza care ține priza cu mâna. Nu trageți niciodată cablul de alimentare !!!

7. Nu lăsați niciodată produsul conectat la sursa de alimentare fără supraveghere. Chiar și când utilizarea este întreruptă pentru o perioadă scurtă de timp, opriți-o din rețea, deconectați alimentarea.

8. Nu puneți niciodată cablul de alimentare, fișa sau întregul dispozitiv în apă. Nu expuneți niciodată produsul la condiții atmosferice, cum ar fi lumina directă a soarelui sau ploaia etc. Nu folosiți niciodată produsul în condiții de umiditate.

9. Verificați periodic starea cablului de alimentare. În cazul în care cablul de alimentare este deteriorat, produsul trebuie îndreptat către un loc de service profesional pentru a fi înlocuit, pentru a evita situațiile periculoase.

10. Nu utilizați niciodată produsul cu un cablu de alimentare deteriorat sau dacă a fost scăpat sau deteriorat în orice alt mod sau dacă nu funcționează corect. Nu încercați să reparați singur produsul defect deoarece poate duce la electrocutare. Rotiți întotdeauna dispozitivul deteriorat într-o locație de service profesională pentru a-l repara. Toate reparațiile pot fi efectuate numai de către profesioniști autorizați. Reparația care a fost făcută incorect poate provoca situații periculoase pentru utilizator.

11. Nu puneți niciodată produsul pe sau aproape de suprafețele calde sau calde sau de aparatele de bucătărie, cum ar fi cuptorul electric sau arzătorul cu gaz.

12. Nu folosiți niciodată produsul aproape de combustibili.

13. Nu lăsați cablul să atârne peste marginea blatului sau să atingă suprafețe fierbinți.

14. Pentru a asigura o protecție suplimentară, se recomandă instalarea dispozitivului de curent rezidual (RCD) în circuitul de alimentare, cu un curent rezidual nominal nu mai mare de 30 mA. Contactați electricianul profesionist în această privință.

15. Dispozitivul nu este destinat prelucrării industriale a alimentelor.

16. Nu scufundați motorul în apă. Nu spălați în mașinile de spălat vase. Nu expuneți dispozitivul și accesoriile acestuia la temperaturi ridicate (peste 60 ° C).

17. Înainte de a curăța și scoate accesoriile, setați controlul vitezei în poziția „0” și deconectați cablul de alimentare.

18. Înainte de a utiliza dispozitivul verificați dacă toate piesele și accesoriile sunt montate corect:

- robot alimentar planetar: asigurați-vă că atașamentul este complet introdus în priză, altfel rezultatul amestecului dvs. poate fi afectat.

- mașină de tocat carne: ansamblul de măcinat trebuie asamblat cu atenție. Asamblarea inexactă poate provoca o performanță slabă de măcinare și tocirea plăcii cuțitului și a găurilor.

19. Folosiți numai accesoriile originale furnizate împreună cu mașina de tocat carne și robotul

de bucătărie planetar.

20. Nu supraîncărcați dispozitivul cu produs în exces sau împingeți produsul prea tare. Utilizați numai împingătorul pentru a împinge produsul. Utilizarea unui alt obiect poate deteriora mașina de tocat carne.

22. Carnea care trebuie măcinată ar trebui să fie lipsită de oase, fluiere, tendoane sau vene. Taiati părțile mai mari în bucăți.

23. Nu acoperiți orificiile de ventilație din carcasă în timp ce dispozitivul este pornit.

24. Nu macinați semințe de mac uscate. Semințele de mac trebuie să fie aburite și înmuiate înainte de măcinare.

25. Nu depășiți  $\frac{3}{4}$  castron înălțime atunci când este umplut cu ingrediente alimentare.

26. Păstrați dispozitivul la îndemâna copiilor.

Descrierea produsului: Robot alimentar multifuncțional planetar Ad4221

- |                                   |  |
|-----------------------------------|--|
| 1. Braț carcasă                   | 2. Carcasă motor                         |
| 3. Capac anti-stropire            | 4. Castron de amestecare 7,0 litri       |
| 5. Capacul frontal al tocătorului | 6. Împingător de plastic                 |
| 7. Buton de înclinare             | 8. Buton de control al vitezei           |
| 9. Bateți de ouă                  | 10. Baterie de amestecare                |
| 11. Cârlig de aluat               | 12. Piuliță de fixare                    |
| 13. Ciururi 3, 5, 7mm             | 14. Lama încrucișată                     |
| 15. Angrenaj pentru viermi        | 16. Tava de tocare                       |
| 17. Camera de tocare              | 18. Cuibul de fixare al mixerului cu arc |

#### ÎNAINTE DE PRIMA UTILIZARE

1. Toate părțile dispozitivului trebuie curățate temeinic înainte de a fi utilizate pentru prima dată. Vezi secțiunea: „Curățare și întreținere”.

2. Așezați dispozitivul pe o suprafață orizontală și plană.

3. Nu folosiți niciodată dispozitivul fără supravegherea.

4. Nu atingeți părțile în mișcare cu degetele. Lăsați accesoriile rotative să se oprească înainte de a deschide vasul.

**AVERTISMENT: NU UTILIZAȚI FUNCȚII DE AMESTECARE ȘI TOCARE ÎN același timp! FOLOȘIȚI UNUL DINTRE DUMNEAVOASTRĂ.**

• Când utilizați funcția de amestecare, capacul frontal (5) trebuie să fie amplasat în poziția sa.

• Când utilizați funcția de tocat, vasul (4) cu capac anti-stropire (3) ar trebui să fie amplasat în poziția lor pentru a proteja utilizatorul final împotriva rotației cuibului de fixare al mixerului cu arc (18).

5. Opriti dispozitivul și deconectați-l de alimentare înainte de a schimba accesoriile.

#### MOD DE ASAMBLARE: Funcția mixer

Înainte de a asambla robotul de bucătărie, asigurați-vă că cablul de alimentare a fost deconectat de la priză și că butonul de control al vitezei este în poziția „0”.

1. Așezați vasul în unitatea motorului, apoi rotiți-l în sensul acelor de ceasornic până când simțiți că nu se poate deplasa mai departe spre stânga. Vasul este blocat.

2. Alegeți atașamentul adecvat la operația necesară:

- Bătut de ouă (9) pentru biciuire: albușuri, creme de tort, frișcă etc.

- Baterie de amestecare (10) pentru amestecarea amestecurilor ușoare: maioneză, aluat pentru clătite, biscuit etc.

- Cârlig de aluat (11) pentru frământarea aluatului greu: aluat de pâine, aluat de drojdie etc.

3. Puneți accesoriul corespunzător (9 sau 10 sau 11) pe șurubul cuibului de fixare al mixerului cu arc (18). Reglați poziția a două elemente metalice proeminente pentru a intra în locurile concavă ale cuibului de fixare al mixerului cu arc (18) - uitați-vă la imaginea A. Împingeți atașamentul în sus până când arcul este complet comprimat, rotiți complet în sensul acelor de ceasornic și eliberați - uitați-vă la imaginea B.

4. Puneți ingredientele alimentare în vas și apăsați butonul de înclinare (7) în jos pentru a închide brațul carcasei (1).

5. Conectați dispozitivul și rotiți butonul de viteză (8) pentru viteză necesară. Viteza 0 înseamnă motorul oprit, viteza 1 înseamnă viteză cea mai mică, viteza 6 înseamnă rotația maximă. P - înseamnă modul impuls, înseamnă rotirea impulsurilor de viteză atunci când butonul (8) este menținut în poziția impuls.

6. După utilizare opriti dispozitivul rotind butonul de viteză (8) în poziția 0 și opriti dispozitivul.

7. Apăsați butonul de înclinare (7) în jos pentru a ridica brațul carcasei (1). Dacă amestecul mixt este corect, scoateți atașamentul. Pentru a scoate accesoriul, ridicați-l puțin pentru a comprima complet arcul, apoi rotiți întregul accesoriu din partea stângă și trageți-l în jos.

8. Întoarceți vasul (4) în sens invers acelor de ceasornic și scoateți-l din carcasa motorului (2) ținându-l cu ambele mâini. Amintiți-vă că bolul poate fi greu.

#### MOD DE ASAMBLARE: Funcția polizor

1. Așezați vasul (4) pe carcasa motorului (2) și închideți brațul carcasei (1) apăsând butonul de înclinare (7). Nu asamblați accesoriile în interiorul vasului (4). Este necesar să vă protejați împotriva rotirii cuibului de fixare al mixerului cu arc (18). Este normal că cuibul de fixare al mixerului cu arc (18) se rotește în interiorul bolului atunci când utilizați mașina de tocat.

2. Scoateți capacul frontal (5) pentru a instala rășnița.

3. În interiorul camerei de tocat (17) așezați angrenajul melcat (15), apoi plasați corect lama transversală de tocat (14). Aveți grijă să o așezați corect, așa cum se arată în imaginea C. Apoi, așezați șita adecvată (13) și înșurubați ușor piulița de fixare (12) la capăt.

**OBSERVAȚIE:** piulița de fixare (12) trebuie înșurubată **UȘOR ÎNAINTE** de a asambla întreaga unitate de tocat pe carcasa motorului (2). Este necesar să reglați poziția găurii hexagonale (imaginea D1) în unitatea de tocat la arborele hexagonal din carcasa motorului (2).

4. Așezați unitatea tocătorului în poziția indicată în imaginea D3 (poziția pantei), împingeți-o în interiorul carcasei motorului (2) și rotiți-o la stânga în poziția verticală prezentată în imaginea D4. Butonul rotund negru de lângă unitatea tocătorului va reveni în poziție proeminentă. Înșurubați bine piulița de fixare (12) acum.
5. Montați tava de tocat (16) pe partea superioară a camerei de tocat (17).
6. Pentru a demonta unitatea tocătorului, apăsați butonul rotund negru acționând în ordine inversă.

#### UTILIZARE: funcția Mixer

- Frământarea aluatului greu (aluat de pâine, aluat de drojdie etc.)

Asamblați cârligul pentru aluat (11). Puneți ingredientele alimentare în castron. Rația de făină și apă sugerată este: 5: 3. Cantitate maximă de făină: 1500g. Se recomandă să începeți frământarea la viteza 1 sau 2 timp de cel mult 20 de secunde de funcționare continuă. Apoi, setați viteza 3 și funcționați nu mai mult de 4 minute la rând.

- Amestecarea amestecurilor ușoare (maioneză, aluat de clătite, burete etc.)

Asamblați amestecătorul (10). Puneți ingredientele alimentare în interiorul castronului la maxim ¼ din castron. Porniți viteza 3-4 și amestecați cât timp este necesar pentru a atinge densitatea dorită. Utilizați nu mai mult de 4 minute continuu la un moment dat.

- Bătăi (albușuri, creme de tort, frișcă etc.)

Asamblați telul de ou (9).

Pentru albușurile de spumă: Puneți albușurile în castron la maximum 24 de ouă. Porniți viteza 4-6 și amestecați, aproximativ 5 minute până la rigidizare. Timpul de amestecare depinde de mărimea ouălor.

Pentru frisca: pune cel puțin 250ml de smantana proaspătă (racita în prealabil la frigider cel puțin 8 ore) .. Se amesteca la viteza 4 pana la 6 timp de aproximativ 5 minute. Nu depășiți cantitatea de ½ înălțime din vasul de smântână proaspătă turnată pentru a păstra suficient spațiu pentru frisca.

#### UTILIZARE: funcția Grinder

1. Tăiați toate alimentele în bucăți (se recomandă carnea de vită sau carnea de vită, fără os, fără os și fără grăsime, cu dimensiuni aproximative: (20 mm x 20 mm x 60 mm), astfel încât să se încadreze cu ușurință în tubul de tocat (17).

2. Conectați dispozitivul și porniți și apoi rotiți butonul de control al vitezei (8) la 4-6 trepte.

3. Introduceți alimentele în tava de tocat (16). Folosiți pentru aceasta numai împingătorul de plastic (6).

4. După utilizare, opriți dispozitivul și deconectați-l de la sursa de alimentare.

5. Nu utilizați mai mult de 4 minute continuu la un moment dat.

6. Dispozitivul este echipat în 3 site cu găuri cu diametrul de 3mm, 5mm și 7mm, a ales placa de gauri potrivită pentru vasul dorit.

- sită de 3 mm - plasă fină pentru măcinare la o consistență destul de compactă, uniformă. Perfect pentru umplutură și paste.

- Strecurător de 5 mm - plasă medie pentru măcinarea cărnii pentru colțetele tocate, burgeri, chiftele și umpluturi pentru găluște, clătite și tortilla. Utilizând acest filtru puteți măcina și legume, brânză tare și chiar nuci.

- Filtru de 7 mm - plasă groasă pentru măcinarea cărnii cu o structură distinctă. Strecurătorul este destinat producției de cârnați și pahare.

#### DISPOZITIV DE PROTECȚIE A SUPRĂÎNCĂLZIRII

Dispozitivul se va opri automat după 15 minute de funcționare continuă pentru a proteja motorul împotriva supraîncălzirii. Este necesar să opriți dispozitivul și să îl lăsați să se răcească înainte de următoarea utilizare. Când este răcit, dispozitivul va funcționa normal.

#### CURĂȚENIE SI MENTENANTA

1. Înainte de a curăța dispozitivul, asigurați-vă că cablul de alimentare a fost deconectat de la priză și că butonul de control al vitezei este în poziția „0”. Lăsați dispozitivul să se răcească înainte de curățare.

2. Demontați toate accesoriile din carcasa motorului (2). Nu curățați accesoriile în timp ce sunt montate pe ansamblul unității mașinii.

3. Nu utilizați detergenți agresivi pentru a curăța carcasa motorului (2), deoarece poate elimina simbolurile grafice informaționale, cum ar fi: scară, semne, semne de siguranță etc.

4. Nu spălați piesele metalice în mașinile de spălat vase. Agenții de curățare agresivi folosiți în mașinile de spălat vase determină înnegrirea părților metalice. Spălați manual părțile metalice folosind lichid de spălat tradițional. Utilizați o perie moale.

5. Ștergeți părțile exterioare cu un prosop de bucătărie sau o cârpă moale.

6. Nu utilizați materiale abrazive pentru a curăța dispozitivul.

7. Nu scufundați carcasa motorului (2) în apă sau alte lichide.

#### DATE TEHNICE

Alimentare: 220-240V ~ 50 / 60Hz

Putere: 1200W

Putere maxima: 2200W

Bol din oțel inoxidabil 7 litri

Timp maxim de funcționare într-un singur ciclu: 15 minute.

Timp minim de odihnă între cicluri: cel puțin 10 minute.



Din grija pentru mediul înconjurător. Ambalajele din carton vă rugăm să le transmiteți la centrele de maculatură. Sacii din polietilenă (PE) trebuie aruncați în recipientele pentru materialele plastice. Dispozitivul uzat trebuie transmis la punctul corespunzător de depozitare, deoarece componentele periculoase care se găsesc în dispozitiv pot fi foarte periculoase pentru mediul înconjurător. Dispozitivul electric trebuie transmis în așa fel încât să se limiteze utilizarea lui repetată. Dacă în dispozitiv se găsesc baterii acestea trebuie scoase și transmise către punctul de depozitare a acestora, separat.



## SIGURNOSNI USLOVI. VAŽNE UPUTE O SIGURNOSTI KORIŠTENJA PAŽLJIVO PROČITAJTE I ČUVAJTE ZA BUDUĆU REFERENCU

Garancijski uvjeti su različiti ako se uređaj koristi u komercijalne svrhe.

1. Prije upotrebe proizvoda pažljivo pročitajte i uvijek se pridržavajte sljedećih uputstava. Proizvođač nije odgovoran za bilo kakvu štetu nastalu zbog zloupotrebe.
2. Proizvod se smije koristiti samo u zatvorenim prostorima. Nemojte koristiti proizvod u bilo koju svrhu koja nije kompatibilna s njegovom primjenom.
3. Napon uređaja je 220-240V, ~ 50/60Hz. Iz sigurnosnih razloga nije prikladno spajanje više uređaja u jednu utičnicu.
4. Budite oprezni pri upotrebi u blizini djece. Ne dopustite djeci da se igraju s proizvodom. Ne dopustite djeci ili osobama koje ne poznaju uređaj da ga koriste bez nadzora.
5. **UPOZORENJE:** Ovaj uređaj mogu koristiti djeca starija od 8 godina i osobe sa smanjenim fizičkim, osjetilnim ili mentalnim sposobnostima, ili osobe bez iskustva ili znanja o uređaju, samo pod nadzorom osobe odgovorne za njihovu sigurnost, ili ako su dobili upute o sigurnoj uporabi uređaja i svjesni su opasnosti povezanih s njegovim radom. Djeca se ne bi trebala igrati uređajem. Čišćenje i održavanje uređaja ne smiju obavljati djeca, osim ako su starija od 8 godina i ako se te aktivnosti provode pod nadzorom.
6. Nakon što završite s upotrebom proizvoda, uvijek imajte na umu da pažljivo izvucite utikač iz utičnice držeći utičnicu rukom. Nikada ne vucite kabl za napajanje !!!
7. Nikada ne ostavljajte proizvod priključen na izvor napajanja bez nadzora. Čak i ako je upotreba na kratko prekinuta, isključite je iz mreže, isključite napajanje.
8. Nikada ne stavljajte kabl za napajanje, utikač ili cijeli uređaj u vodu. Nikada ne izlažite proizvod atmosferskim uticajima, kao što je direktno sunčevo svjetlo, kiša itd. Nikada nemojte koristiti proizvod u vlažnim uslovima.
9. Povremeno provjeravajte stanje kabela za napajanje. Ako je kabl za napajanje oštećen, proizvod treba okrenuti na mjesto profesionalnog servisa radi zamjene kako bi se izbjegle opasne situacije.
10. Nikada nemojte koristiti proizvod sa oštećenim kablom za napajanje, ako je ispao ili na neki drugi način oštećen ili ako ne radi ispravno. Ne pokušavajte sami popraviti neispravni proizvod jer to može dovesti do strujnog udara. Oštećeni uređaj uvijek okrenite na mjesto profesionalnog servisa kako biste ga popravili. Sve popravke mogu izvesti samo ovlašteni serviseri. Popravka koja je pogrešno izvedena može izazvati opasne situacije za korisnika.
11. Nikada ne stavljajte proizvod na ili blizu vrućih ili toplih površina ili kuhinjskih aparata, poput električne pećnice ili plinskog plamenika.
12. Nikada ne koristite proizvod u blizini zapaljivih materija.
13. Ne dozvolite da kabl visi preko ruba pulta ili dodirujete vruće površine.
14. Kako bi se osigurala dodatna zaštita, preporučuje se u strujni krug ugraditi uređaj za zaštitu od strujnog udara (RCD), s nominalnom strujom ne većom od 30 mA. Po tom pitanju kontaktirajte profesionalnog električara.
15. Uređaj nije namijenjen industrijskoj preradi hrane.
16. Nemojte uranjati jedinicu motora u vodu. Ne perite u mašinama za sudove. Ne izlažite uređaj i njegovu dodatnu opremu visokim temperaturama (iznad 60 ° C).
17. Prije čišćenja i uklanjanja pribora postavite kontrolu brzine u položaj "0" i odspojite kabl za napajanje.

18. Prije upotrebe uređaja provjerite jesu li svi dijelovi i pribor pravilno montirani:

- planetarni procesor hrane: provjerite je li nastavak potpuno umetnut u utičnicu, u protivnom može utjecati na rezultat miješanja.

- mlin za meso: sklop za mljevenje potrebno je pažljivo sastaviti. Netačan sklop može uzrokovati loše brušenje i otupljivanje noža i rupe.

19. Koristite samo originalnu dodatnu opremu isporučenu s mlinom za meso i planetarnim obrađivačem hrane.

20. Ne preopterećujte uređaj viškom proizvoda niti ga previše gurajte. Za uguravanje proizvoda koristite samo potiskivač. Upotrebom drugih predmeta možete oštetiti mlin za meso.

22. Meso koje se melje ne smije imati kosti, gnjide, tetive ili vene. Veće dijelove narežite na komade.

23. Ne prekrivajte otvore za ventilaciju u kućištu dok je uređaj uključen.

24. Ne meljite suvo makovo zrno. Zrno maka potrebno je popariti i namočiti prije mljevenja.

25. Ne prelazite  $\frac{3}{4}$  posude visoko kada se napune sastojcima hrane.

26. Čuvajte uređaj van dohvata djece.

Opis proizvoda: Višenamjenski planetarni procesor hrane Ad4221

- |                             |   |
|-----------------------------|---|
| 1. Ruka kućišta             | 2. Kućište motora                                   |
| 3. Poklopac protiv prskanja | 4. Posuda za miješanje 7,0 litara                   |
| 5. Prednji poklopac mlinca  | 6. Plastični potiskivač                             |
| 7. Dugme za nagib           | 8. Dugme za kontrolu brzine                         |
| 9. pjenjača za jaja         | 10. miješalica za miješanje                         |
| 11. Kuka za tijesto         | 12. Majka za pričvršćivanje                         |
| 13. Sita 3, 5, 7mm          | 14. Oštrica za usitnjavanje                         |
| 15. Crveni zupčanik         | 16. Ladica za usitnjavanje                          |
| 17. Komora za mljevenje     | 18. Miješalica za pričvršćivanje miksera sa oprugom |

#### PRIJE PRVE UPOTREBE

1. Svi dijelovi uređaja moraju se temeljito očistiti prije prve upotrebe. Pogledajte odjeljak: "Čišćenje i održavanje".

2. Postavite uređaj na vodoravnu i ravnu površinu.

3. Nikada nemojte koristiti uređaj bez nadzora.

4. Ne dodirujte pokretne dijelove prstima. Ostavite rotirajući pribor da se zaustavi prije nego otvorite zdjelu.

**UPOZORENJE: NE KORISTITE FUNKCIJE MJESANJA I MJECENJA ISTO VRIJEME !! KORISTITE SAMO JEDNU OD NJIH.**

• Kada koristite funkciju miješanja, prednji poklopac (5) bi trebao biti postavljen na svom mjestu.

• Kada koristite funkciju usitnjavanja, posuda (4) s poklopcem protiv prskanja (3) treba biti postavljena na njihovu poziciju kako bi zaštitila krajnjeg korisnika od okretanja gnjezda za pričvršćivanje miješalice s oprugom (18).

5. Prije zamjene pribora isključite uređaj i isključite ga iz napajanja.

#### NAČIN MONTAŽE: Funkcija miksera

Prije sastavljanja aparata za kuhanje, provjerite da li je kabel za napajanje izvučen iz utičnice i da je tipka za kontrolu brzine u položaju "0".

1. Stavite zdjelu u jedinicu motora, a zatim je okrećite u smjeru kazaljke na satu sve dok ne osjetite da se više ne može pomaknuti ulijevo. Posuda je blokirana.

2. Odaberite odgovarajući priključak na potrebnu operaciju:

- Mutnjak za jaja (9) za mućenje: balanca, kreme za kolače, šlag itd.

- Miješalica (10) za miješanje lakih smjesa: majoneza, tijesta za palačinke, biskvita itd.

- Kuka za tijesto (11) za miješenje teškog tijesta: tijesta za kruh, tijesta od kvasca itd.

3. Postavite odgovarajući nastavak (9 ili 10 ili 11) na vijak gnjezda za pričvršćivanje miksera sa oprugom (18). Podesite položaj dva

metalna elementa koji strše kako bi ušli u konkavna mjesta gnjezda za pričvršćivanje miješalice s oprugom (18) - pogledajte sliku A.

Gurnite nastavak prema gore dok se opruga ne stisne do kraja, okrenite do kraja u smjeru kazaljke na satu i otpustite - pogledajte sliku B.

4. Stavite sastojke hrane u zdjelu i pritisnite gumb za naginjanje (7) prema dolje da zatvorite držač kućišta (1).

5. Priključite uređaj i okrenite dugme za brzinu (8) za potrebnu brzinu. Brzina 0 znači zaustavljeni motor, brzina 1 znači najmanju brzinu, brzina 6 znači maksimalnu rotaciju. P - znači impulsni način rada, znači impulsno rotiranje zupčanika kada se gumb (8) drži u položaju impulsa.

6. Nakon upotrebe isključite uređaj okretanjem dugmeta za brzinu (8) u položaj 0 i isključite uređaj.

7. Pritisnite dugme za naginjanje (7) nadole da biste podigli držač kućišta (1). Ako je miješana smjesa ispravna, uklonite nastavak. Da

biste uklonili nastavak, malo ga podignite kako biste potpuno stisnuli oprugu, zatim okrenite lijevu stranu cijelog nastavka i povucite ga prema dolje.

8. Okrenite zdjelu (4) u smjeru suprotnom od kazaljke na satu i uklonite je iz kućišta motora (2) držeći je objema rukama. Zapamtite da zdjela može biti teška.

#### NAČIN MONTAŽE: Funkcija brusilice

1. Stavite zdjelu (4) na kućište motora (2) i zatvorite polugu kućišta (1) pritiskom na gumb za nagib (7). Ne sastavljajte nikakve dodatke unutar posude (4). Potrebno vas je zaštititi od okretanja gnjezda za pričvršćivanje mješalice s oprugom (18). Normalno je da se gnjezdo za pričvršćivanje mješalice s oprugom (18) rotira unutar zdjele prilikom korištenja sjeckalice.

2. Uklonite prednji poklopac (5) za postavljanje brusilice.

3. Unutar komore za usitnjavanje (17) postavite pužni zupčanik (15), a zatim postavite križno sječivo za usitnjavanje (14) ispravno. Pazite da postavite ispravnu stranu, kao što je prikazano na slici C. Zatim postavite odgovarajuće sito (13) i LAGANO navrnite pričvrtnu maticu (12) na kraju.

NAPOMENA: pričvrtnu maticu (12) potrebno je lagano zavrnuti PRIJE sastavljanja cijele jedinice za usitnjavanje na kućište motora (2). Potrebno je položaj šesterokutne rupe (slika D1) u jedinici za usitnjavanje prilagoditi šesterokutnoj osovini u kućištu motora (2).

4. Postavite aparat za mljevenje u položaj prikazan na slici D3 (položaj nagiba), gurnite ga unutar kućišta motora (2) i okrenite lijevo u okomiti položaj prikazan na slici D4. Crno okruglo dugme u blizini jedinice za sjeckanje vratit će se u istureni položaj. Sada čvrsto pričvrstite pričvrtnu maticu (12).

5. Montirajte ladicu za usitnjavanje (16) na vrh komore za usitnjavanje (17).

6. Da biste demontirali jedinicu za mljevenje, pritisnite crno okruglo dugme obrnutim redoslijedom.

#### UPOTREBA: Funkcija miksera

• Mjesenje teškog tijesta (tijesto za kruh, tijesto od kvasca itd.)

Sastavite kuku za tijesto (11). U posudu stavite sastojke hrane. Preporučeni omjer brašna i vode je: 5: 3. Maksimalna količina brašna: 1500g. Preporučuje se neprestano gnječenje brzinom 1 ili 2 ne duže od 20 sekundi. Zatim postavite brzinu 3 i radite ne duže od 4 minute neprekidno.

• Mešanje lakih smesa (majonez, testo za palačinke, biskvit itd.)

Sastavite miješalicu (10). Sastojke za hranu stavite u zdjelu do maksimalno  $\frac{3}{4}$  visine posude. Uključite brzinu 3-4 i miješajte koliko god je potrebno da postignete željenu gustoću. Ne koristite neprekidno duže od 4 minute.

• Šlag (belanca, kreme za tortu, šlag itd.)

Sastavite pjenjaču (9).

Za mućenje belanaca: Belanjke stavite u činiju na najviše 24 jaja. Uključite brzinu 4-6 i miješajte, otprilike 5 minuta dok se ne stegne.

Vrijeme miješanja ovisi o veličini jaja.

Za šlag: stavite najmanje 250 ml svježeg vrhnja (prethodno ohlađenog u frižideru najmanje 8 sati). Miješajte na brzini 4 do 6 oko 5 minuta.

Nemojte prelaziti količinu  $\frac{1}{2}$  visine zdjele izlivena svježe kreme kako biste imali dovoljno mjesta za šlag.

#### UPOTREBA: Funkcija brusilice

1. Narežite svu hranu na komade (preporučuje se govedina ili svinjetina bez žila, kostiju i masti, otprilike veličine: (20 mm x 20 mm x 60 mm), tako da se lako uklapaju u cijev za usitnjavanje (17).

2. Priključite uređaj i uključite ga, a zatim okrenite dugme za kontrolu brzine (8) na 4-6 brzina.

3. Umetnite hranu u ladicu za usitnjavanje (16). Za to koristite samo plastični potiskivač (6).

4. Nakon upotrebe isključite uređaj i iskopčajte ga iz napajanja.

5. Ne koristite neprekidno duže od 4 minute.

6. Uređaj je opremljen sa 3 sita s rupama promjera 3 mm, 5 mm i 7 mm, odabrao je odgovarajuću ploču s rupama prema željenoj posudi.

- sito od 3 mm - fina mreža za brušenje do prilično kompaktne, jednolične konzistencije. Savršeno za punjenje i paštetu.

- Cjedilo od 5 mm - srednja mreža za mljevenje mesa za mljevene kotlete, hamburgere, polpete i nadjeve za knedle, palačinke i tortilje.

Pomoću ovog cjedila možete samljati i povrće, tvrdi sir, pa čak i orahe.

- Cjedilo 7 mm - debela mreža za mljevenje mesa izrazite strukture. Cjedilo je namijenjeno za proizvodnju kobasica i drobnjaka.

#### UREĐAJ ZA ZAŠTITU OD PREGRIJAJA

Uređaj će se automatski isključiti nakon 15 minuta neprekidnog rada kako bi zaštitio motor od pregrijavanja. Prije sljedeće upotrebe uređaj morate isključiti i ostaviti da se ohladi. Uređaj će se ohladiti normalno raditi.

#### ČIŠĆENJE I ODRŽAVANJE

1. Prije čišćenja uređaja, provjerite je li kabel za napajanje izvučen iz utičnice za struju i je li gumb za kontrolu brzine u položaju "0". Prije čišćenja pustite da se uređaj ohladi.

2. Rastavite sav pribor iz kućišta motora (2). Ne čistite pribor dok je montiran na pogonski sklop mašine.

3. Nemojte čistiti kućište motora (2) agresivnim deterdžentima jer mogu ukloniti informativne grafičke simbole poput: vage, znakova, sigurnosnih oznaka itd.

4. Ne perite metalne dijelove u mašini za sudove. Agresivna sredstva za čišćenje koja se koriste u perilicama posuđa uzrokuju da metalni dijelovi pocrne. Operite ručno metalne dijelove koristeći tradicionalnu tekućinu za pranje posuđa. Koristite meku četku.

5. Obrišite vanjske dijelove kuhinjskom krpom ili mekom krpom.

6. Nemojte čistiti uređaj abrazivnim materijalima.

7. Ne uranjajte kućište motora (2) u vodu ili druge tekućine.

## TEHNIČKI PODACI

Napajanje: 220-240V ~ 50/60Hz

Snaga: 1200W

Maksimalna snaga: 2200W

Posuda od nerđajućeg čelika 7 litara

Maksimalno vreme rada u jednom ciklusu: 15 minuta.

Minimalno vrijeme odmora između ciklusa: najmanje 10 minuta.



### Brinući za okoliš..

Molimo Vas da kartonska pakovanja odnesete u otkup otpadnog papira. Polietilenske džakove (PE) bacajte u kontejner za plastiku. Iskorišćen uređaj treba odneti na odgovarajuću deponiju, jer opasni sastojci koji se u njemu nalaze, mogu biti opasni za okoliš. Električni uređaj treba odneti na način, koji ograničava njegovu ponovnu upotrebu i korišćenje. Ako se u uređaju nalaze baterije, treba ih izvaditi i odvojeno predati na deponiju.

**Uređaj se ne smije bacati u kontejner za komunalni otpad!!**

## MAGYAR

### BIZTONSÁGI FELTÉTELEK. FONTOS HASZNÁLATI UTASÍTÁSOK KÉRJÜK, OLVASSA EL FIGYELMESEN, ÉS TARTSA MEG A JÖVŐBENI REFERENCIÁHOZ

A garanciális feltételek eltérőek, ha a készüléket kereskedelmi célokra használják.

1. A termék használata előtt olvassa el figyelmesen, és mindig tartsa be az alábbi utasításokat. A gyártó nem felel a helytelen használatból eredő károokért.

2. A terméket csak beltéren szabad használni. Ne használja a terméket olyan célra, amely nem kompatibilis az alkalmazásával.

3. A készülék feszültsége 220-240V, ~ 50/60Hz. Biztonsági okokból nem célszerű több eszközt egy hálózati aljzathoz csatlakoztatni.

4. Kérjük, legyen óvatos, ha gyermekek közelében használja. Ne hagyja, hogy a gyerekek játszanak a termékkel. Ne engedje gyermekeknek vagy személyeknek, akik nem ismerik a készüléket, felügyelet nélkül használni.

5. FIGYELMEZTETÉS: Ezt a készüléket csak 8 évesnél idősebb gyermekek és csökkent fizikai, érzékszervi vagy mentális képességekkel rendelkező személyek, vagy olyan személyek használhatják, akiknek nincs tapasztalata vagy ismerete a készülékről, csak a biztonságukért felelős személy felügyelete mellett, vagy ha elsajátították a készülék biztonságos használatát, és tisztában vannak a működésével járó veszélyekkel. Gyermekek ne játszanak a készülékkel. A készülék tisztítását és karbantartását gyermekek nem végezhetik, kivéve, ha 8 évesnél idősebbek, és ezeket a tevékenységeket felügyelet mellett végzik.

6. Miután befejezte a termék használatát, ne feledje, hogy óvatosan húzza ki a dugót a konnektorból, és kézzel fogja a konnektorból. Soha ne húzza a tápkábelt !!!

7. Soha ne hagyja a készüléket az áramforráshoz csatlakoztatva felügyelet nélkül. Még akkor is, ha a használat rövid időre megszakad, kapcsolja ki a hálózatról, húzza ki a hálózati csatlakozót.

8. Soha ne tegye a tápkábelt, a csatlakozót vagy az egész készüléket a vízbe. Soha ne tegye ki a terméket olyan légköri körülményeknek, mint a közvetlen napsugárzás vagy eső, stb. Soha ne használja a terméket nedves környezetben.

9. Rendszeresen ellenőrizze a tápkábel állapotát. Ha a tápkábel megsérült, a terméket a veszélyes helyzetek elkerülése érdekében szakképzett szervizbe kell vinni, és ki kell cserélni.

10. Soha ne használja a terméket sérült tápkábellel, vagy ha leejtették vagy más módon megsérült, vagy ha nem működik megfelelően. Ne próbálja megjavítani a meghibásodott terméket, mert ez áramütéshez vezethet. A sérült készüléket mindig forduljon szakemberhez a javítás érdekében. Minden javítást csak hivatalos szervizszakemberek végezhetnek. A helytelenül elvégzett javítás veszélyes helyzeteket okozhat a felhasználó számára.

11. Soha ne tegye a terméket a forró vagy meleg felületekre vagy a konyhai készülékekre, például az elektromos sütőre vagy gázégőre.

12. Soha ne használja a terméket éghető anyagok közelében.

13. Ne hagyja, hogy a vezeték a puft pereme fölé lógjon, és ne érjen forró felületekhez.

14. A további védelem érdekében ajánlatos a maradékáram -védelmi eszközt (RCD) a

főáramkörbe szerelni, a maradékáram névleges értéke legfeljebb 30 mA. Ebben az esetben forduljon szakképzett villanszerelőhöz.

15. A készülék nem ipari élelmiszer-feldolgozásra készült.

16. Ne merítse a motoregységet vízbe. Ne mossa mosogatógépben. Ne tegye ki a készüléket és tartozékait magas hőmérsékletnek (60 ° C felett).

17. A tartozékok tisztítása és eltávolítása előtt állítsa a sebességszabályozót „0” állásba, és húzza ki a tápkábelt.

18. A készülék használata előtt ellenőrizze, hogy minden alkatrész és tartozék megfelelően van-e felszerelve:

- bolygókonyhai robotgép: győződjön meg arról, hogy a tartozék teljesen be van dugva az aljzatba, különben ez befolyásolhatja a keverési eredményt.

- húsdaráló: az őrlőszerelvenyt gondosan össze kell szerelni. A pontatlan összeszerelés gyenge csiszolási teljesítményt, valamint a kés és a lyuklemez tompítását okozhatja.

19. Csak a húsdarálóhoz és a bolygókészülékhez tartozó eredeti tartozékokat használja.

20. Ne terhelje túl a készüléket felesleges termékkel, és ne tolja túl erősen a terméket. A termék behúzásához csak a nyomógombot használja. Más tárgy használata károsíthatja a húsdarálót.

22. A darándó húsnak csont-, rost-, inak- és vénamentesnek kell lennie. A nagyobb részeket darabokra vágjuk.

23. A készülék bekapcsolt állapotában ne takarja le a ház szellőzőnyílásait.

24. Ne őrlje meg a száraz mákot. A mákot őrlés előtt meg kell párolni és áztatni.

25. Ne lépje túl az  $\frac{3}{4}$  tál magasságát, ha élelmiszer-összetevőkkel tölti fel.

26. A készüléket gyermekektől elzárva tárolja.

Termékleírás: AD4221 multifunkciós bolygókonyhai robotgép

- |                              |                                    |
|------------------------------|------------------------------------|
| 1. Házkár                    | 2. Motorház                        |
| 3. Fröccsenésgátló fedél     | 4. Keverőtál 7,0 liter             |
| 5. A daráló elülső burkolata | 6. Műanyag toló                    |
| 7. Döntésgomb                | 8. Speed control gomb              |
| 9. Tojás habverő             | 10. Keverőgép                      |
| 11. Tésztahorog              | 12. Rögzítő anyá                   |
| 13. 3, 5, 7 mm -es sziták    | 14. Hántoló kereszt penge          |
| 15. Férégajtómű              | 16. Darálótalca                    |
| 17. Darálókamra              | 18. A keverő rögzítőfészek rugóval |

#### ELSŐ HASZNÁLAT ELŐTT

1. Az első használat előtt a készülék minden részét alaposan meg kell tisztítani. Lásd: „Tisztítás és karbantartás”.

2. Állítsa a készüléket vízszintes és sík felületre.

3. Soha ne működtesse a készüléket felügyelet nélkül.

4. Ne érintse meg ujaival a mozgó alkatrészeket. Hagyja a forgó tartozékokat megállni, mielőtt kinyitja a tálat.

**FIGYELMEZTETÉS: NE HASZNÁLJA KEVERÉSI ÉS MINTING FUNKCIÓKAT EGYENKOR !! CSAK EGYET HASZNÁL.**

• A keverési funkció használatakor az elülső fedelet (5) a helyén kell elhelyezni.

• A darálási funkció használatakor a tálcát (4) és a fröccsenésgátló fedelét (3) a helyükön kell elhelyezni, hogy megvédje a végfelhasználót a keverőrugó rugójával (18) való elfordulásától.

5. A tartozékok cseréje előtt kapcsolja ki a készüléket, és húzza ki a hálózathálót.

#### ÖSSZESZERELÉS: Keverő funkció

A konyhai robotgép összeszerelése előtt győződjön meg arról, hogy a tápkábel ki van húzva a konnektorból, és a sebességszabályozó gomb "0" helyzetben van.

1. Helyezze a tálat a motoregységbe, majd forgassa el az óramutató járásával megegyező irányba, amíg úgy érzi, hogy nem tud tovább mozogni balra. A tál blokkolva van.

2. Válassza ki a megfelelő rögzítést a szükséges művelethez:

- Tojás habverő (9) a habveréshez: tojásfehérje, tortakrémek, tejszínhab stb.

- Keverőverő (10) könnyű keverékek keveréséhez: majonéz, palacsintatészta, piskóta stb.

- Tésztahorog (11) nehéz tészta dagasztásához: kenyértészta, élesztőtészta stb.

3. Helyezze a megfelelő tartozékokat (9 vagy 10 vagy 11) a keverő rögzítőfészek csavarjára rugóval (18). Állítsa be két kiálló fém elem helyzetét, hogy a keverő rögzítőfészek homorú helyeibe kerüljön rugóval (18) - nézze meg az A képet. Nyomja felfelé a tartozékokat, amíg a rugó teljesen össze nem nyomódik, fordítsa el teljesen az óramutató járásával megegyező irányba és engedje el - nézze meg a B képet.

4. Tegye az élelmiszer-összetevőket a tábla, és nyomja le a billenő gombot (7) lefelé a ház karjának (1) bezárásához.

5. Dugja be a készüléket, és forgassa el a sebességváltó gombot (8) a kívánt sebesség eléréséhez. A 0 -as sebesség azt jelenti, hogy a motor leállt, az 1 -es a legalacsonyabb sebességet, a 6 -os sebesség pedig a maximális forgást. P - impulzus üzemmód, a fogaskerekek impulzus forgását jelent, ha a gombot (8) impulzus helyzetben tartják.

6. Használat után kapcsolja ki a készüléket a forgatógomb (8) 0 állásba forgatásával, és csatlakoztassa le a készüléket.

7. Nyomja lefelé a billenő gombot (7) a házkár (1) felémeléséhez. Ha a keverék megfelelő, vegye le a tartozékokat. A tartozék eltávolításához emelje meg egy kicsit, hogy teljesen összenyomja a rugót, majd fordítsa balra az egész tartozékokat, és húzza le.

8. Fordítsa el a tálat (4) az óramutató járásával ellentétes irányba, és két kézzel tartva vegye ki a motorházból (2). Ne feledje, hogy a tál nehéz lehet.

#### ÖSSZESZERELÉS: Csiszoló funkció

1. Helyezze a tálat (4) a motorházra (2), és zárja le a ház karját (1) a billenő gomb (7) megnyomásával. Ne szereljen össze semmilyen tartozékokat a tábla (4). Meg kell védeni a keverő rögzítőfészek rugóval történő elfordulásától (18). Normális, hogy a keverő rugós

rögzítőfészke (18) forog a tálban a daráló használatá közben.

2. Vegye le az előlapot (5) a daráló beállításához.

3. Helyezze a darálókamrába (17) a csigahajtóművet (15), majd helyezze a daráló kereszt pengét (14) helyesen. Ügyeljen arra, hogy a megfelelő oldalra helyezze, a C ábrán látható módon. Ezután helyezze be a megfelelő szitát (13), és csavarja be a rögzítőanyát (12) a végen.

MÉGJEGYZÉS: a rögzítőanyát (12) KÖNNYZETBEN fel kell csavarni, mielőtt a teljes darálóegységet a motorházhöz (2) szerelné. Be kell állítani a hatszögletű lyuk helyzetét (D1 kép) a darálóegységben a motorházban lévő hatszögű tengelyhez (2).

4. Helyezze a darálógépet a D3 képen látható helyzetbe (lejtés helyzet), nyomja be a motorházba (2), és forduljon balra a D4 képen látható függőleges helyzetbe. A daralógép közelében lévő fekete kerek gomb visszateríti kiálló helyzetébe. Most csavarja be szorosan a rögzítő anyát (12).

5. Szerelje fel a darálótálcát (16) a darálókamra (17) tetejére.

6. A daralógép szétszereléséhez nyomja meg a fekete kerek gombot fordított sorrendben.

#### HASZNÁLAT: Keverő funkció

• Nehéz tészta dagasztása (kenyértészta, élesztőtészta stb.)

Szerelje össze a tésztahorgot (11). Tegye az élelmiszer hozzávalóit a tálba. A javasolt liszt- és vízmennyiség: 5: 3. Maximális lisztmennyiség: 1500 g. Javasoljuk, hogy a gyúrás az 1 -es vagy 2 -es sebességgel kezdje el, legfeljebb 20 másodpercig. Ezután állítsa be a 3 -as sebességet, és ne dolgozzon egyszerre 4 percnél tovább.

• Könnyű keverékek keverése (majonéz, palacsintatészta, piskóta stb.)

Szerelje össze a keverőt (10). Tegye az élelmiszer hozzávalóit a tálba, legfeljebb ¾ magasra. Kapcsolja be a 3-4-es sebességet, és keverje addig, amíg a kívánt sűrűséget eléri. Egyszerre legfeljebb 4 percet használjon.

• Habverés (tojásfehérje, süteménykrémek, tejszínhab stb.)

Szerelje össze a tojásverőt (9).

A tojásfehérje habveréséhez: A tojásfehérjét tegye a tálba, legfeljebb 24 tojást. Kapcsolja be a 4-6 sebességet, és keverje össze, körülbelül 5 percig, amíg kemény nem lesz. A keverési idő a tojás méretétől függ.

Tejszínhabhoz: tegyen legalább 250 ml friss tejszínt (korábban legalább 8 órára hűtőszekrénybe hűtött). Keverje össze 4-6 -os sebességgel körülbelül 5 percig. Ne lépje túl az ½ magas tálba öntött friss tejszínt, hogy elegendő hely maradjon a tejszínhab számára.

#### HASZNÁLAT: Daráló funkció

1. Vágjon darabokra minden ételt (intelen, csont nélküli és zsírmentes marhahús vagy sertés húst ajánlott, megközelítőleg: (20 mm x 20 mm x 60 mm), hogy könnyen illeszkedjenek a darálócsőbe (17).

2. Dugja be a készüléket, kapcsolja be, majd forgassa el a sebességszabályozó gombot (8) 4-6 fokozatra.

3. Töltse az ételt a darálótálcába (16). Ehhez csak a műanyag tolót (6) használja.

4. Használat után kapcsolja ki a készüléket, és húzza ki a hálózati csatlakozót.

5. Egyszerre legfeljebb 4 percet használjon.

6. A készülék 3 szitában van, 3 mm, 5 mm és 7 mm átmérőjű lyukakkal, válassza ki a kívánt edényhez megfelelő lyuklemez.

- 3 mm -es szita - finom háló a meglehetősen kompakt, egyenletes állagú őrléshez. Tökéletes töltelékek és pástétomnak.

- 5 mm -es szűrő - közepes háló hús őrléséhez darált szeletekhez, hamburgerekhez, húsgombócokhoz és töltelékekhez gombócokhoz, palacsintákhoz és tortillákhoz. Ezzel a szűrővel zöldegeket, kemény sajtot és még diót is őrölhet.

- 7 mm -es szűrő - vastag háló húсок őrléséhez, különálló szerkezettel. A szűrőt kolbászok és serpenyők előállítására szánják.

#### TÚLHŐVÉDELMI BERENDEZÉS

A készülék 15 perc folyamatos működés után automatikusan kikapcsol, hogy megvédje a motort a túlmelegedéstől. A következő használat előtt ki kell kapcsolni a készüléket, és hagyni kell lehűlni. A készülék lehűlt állapotban normálisan fog működni.

#### TISZTÍTÁS ÉS KARBANTARTÁS

1. A készülék tisztítása előtt győződjön meg arról, hogy a tápkábel ki van húzva a konnektorból, és a sebességszabályozó gomb "0" helyzetben van. Tisztítás előtt hagyja lehűlni a készüléket.

2. Szerelje le az összes tartozékot a motorházból (2). Ne tisztítsa a tartozékokat, miközben a gép meghajtószervélyére van szerelve.

3. Ne használjon agresszív tisztítószereket a motorház (2) tisztításához, mert eltávolíthatja az információs grafikus szimbólumokat, például: skála, jelek, biztonsági jelek stb.

4. Ne mossa a fém alkatrészeket mosogatógépekben. A mosogatógépekben használt agresszív tisztítószerek hatására a fém alkatrészek elfeketednek. A fém alkatrészeket kézzel mossa hágyományos mosogatószerrel. Használjon puha keféket.

5. Törölje le a külső részeket konyharuhával vagy puha ruhával.

6. Ne használjon csiszolóanyagokat a készülék tisztításához.

7. Ne merítse a motorházat ( ) vízbe vagy más folyadékba.

#### MŰSZAKI ADATOK

Tápellátás: 220-240V ~ 50/60Hz

Teljesítmény: 1200W

Maximális teljesítmény: 2200W

Rozsdamentes acél tál 7 literes

Maximális működési idő egy ciklusban: 15 perc.

Minimális pihenőidő a ciklusok között: legalább 10 perc.



A környezet védelme érdekében kérjük külön karton dobozok és műanyag zsákokat és dobja őket a megfelelő hulladék közé. Használt készüléket kell eljuttatni a kijelölt gyűjtőhelyekre miatt veszélyes elemek alkatrészeket, amelyek hatással lehetnek a környezetre. Ne dobja a készüléket a közös szemétkosárba.

## SUOMI

### TURVALLISUUSEHDOT. TÄRKEITÄ KÄYTTÖTURVALLISUUSOHJEITA LUE HUOLELLISESTI JA PIDÄ TULEVAISUUTTA

Takuehdot ovat erilliset, jos laitetta käytetään kaupallisiiin tarkoituksiin.

1. Lue ennen tuotteen käyttöä huolellisesti ja noudata aina seuraavia ohjeita. Valmistaja ei ole vastuussa mistään vääriinkäytöstä johtuvista vahingoista.

2. Tuote on tarkoitettu käytettäväksi vain sisätiloissa. Älä käytä tuotetta mihinkään

tarkoitukseen, joka ei ole yhteensopiva sen sovelluksen kanssa.

3. Laitteen jännite on 220-240V, ~ 50/60Hz. Turvallisuussyistä ei ole asianmukaista kytkeä useita laitteita yhteen pistorasiaan.

4. Ole varovainen käyttäessäsi lasten lähellä. Älä anna lasten leikkiä tuotteen kanssa. Älä anna lasten tai ihmisten, jotka eivät tunne laitetta, käyttää sitä ilman valvontaa.

5. VAROITUS: Tätä laitetta voivat käyttää yli 8 -vuotiaat lapset ja henkilöt, joilla on heikentynyt fyysinen, aistillinen tai henkinen toimintakyky, tai henkilöt, joilla ei ole kokemusta tai tietoa laitteesta, vain heidän turvallisuudestaan vastaavan henkilön valvonnassa, tai jos heitä on opetettu laitteen turvalliseen käyttöön ja he ovat tietoisia laitteen käyttöön liittyvistä vaaroista. Lapset eivät saa leikkiä laitteella. Lapset eivät saa puhdistaa ja huoltaa laitetta, elleivät he ole yli 8 -vuotiaita ja nämä toimet suoritetaan valvonnassa.

6. Kun olet lopettanut tuotteen käytön, muista aina irrottaa pistoke varovasti pistorasiasta kädellä pitäen pistorasiasta. Älä koskaan vedä virtajohtosta !!!

7. Älä koskaan jätä laitetta kytkettynä virtalähteeseen ilman valvontaa. Vaikka käyttö keskeytyisi lyhyeksi ajaksi, sammuta se verkosta ja irrota virtajohto.

8. Älä koskaan laita virtajohtoa, pistoketta tai koko laitetta veteen. Älä koskaan altista tuotetta ilmakehälle, kuten suoralle auringonvalolle tai sateelle jne. Älä koskaan käytä tuotetta kosteissa olosuhteissa.

9. Tarkista määräajoin virtajohtoon kunto. Jos virtajohto on vaurioitunut, tuote on käännettävä ammattimaiseen huoltopisteeseen vaihdettavaksi vaarallisten tilanteiden välttämiseksi.

10. Älä koskaan käytä tuotetta, jos virtajohto on vaurioitunut tai jos se on pudonnut tai vahingoittunut muulla tavalla tai jos se ei toimi kunnolla. Älä yritä korjata viallista tuotetta itse, koska se voi johtaa sähköiskuun. Käännä vaurioitunut laite aina ammattitaitoiseen huoltoon korjatakseen sen. Kaikki korjaukset voivat tehdä vain valtuutetut huoltoammattilaiset. Väärin tehty korjaus voi aiheuttaa käyttäjälle vaarallisia tilanteita.

11. Älä koskaan aseta tuotetta kuumien tai lämpimien pintojen tai keittiövälineiden, kuten sähköuunin tai kaasupolttimen päälle tai lähelle sitä.

12. Älä koskaan käytä tuotetta palavien aineiden lähellä.

13. Älä anna johdon roikkua tiskin reunan yli tai koske kuumiin pintoihin.

14. Lisäsuojauksen aikaansaamiseksi on suositeltavaa asentaa jäännösvirtalaite (RCD) virtapiiriin, jonka vikavirta on enintään 30 mA. Ota yhteyttä sähköalan ammattilaiseen tässä asiassa.

15. Laitetta ei ole tarkoitettu teolliseen elintarvikkeiden käsittelyyn.

16. Älä upota moottoriyksikköä veteen. Älä pese astianpesukoneissa. Älä altista laitetta ja sen lisävarusteita korkeille lämpötiloille (yli 60 ° C).

17. Ennen kuin puhdistat ja irrotat lisävarusteita, aseta nopeudensäädin "0" -asentoon ja irrota virtajohto.

18. Tarkista ennen laitteen käyttöä, että kaikki osat ja lisävarusteet on asennettu oikein: - planetaarinen monitoimikone: varmista, että lisälaite on työnnetty kokonaan pistorasiaan, muuten se voi vaikuttaa sekoittumistulokseen.

- lihamylly: jauhamiskokoonpano on koottava huolellisesti. Epätarkka kokoonpano voi aiheuttaa huonon hiontatuloksen ja veitsen ja reikälevyn tylsistymisen.

19. Käytä vain lihamyllyn ja planeettamonitoimikoneen mukana toimitettuja alkuperäisiä lisävarusteita.

20. Älä ylikuormita laitetta ylimääräisellä tuotteella tai työnnä sitä liian kovaa. Käytä vain työnnintä tuotteen työntämiseen. Muiden esineiden käyttö voi vahingoittaa lihamyllyä.

22. Jauhettavassa lihassa ei saa olla luita, harsoja, jätteitä tai suonia. Leikkaa isommat osat paloiksi.

23. Älä peitä kotelon tuuletusaukkoja laitteen ollessa päällä.

24. Älä jauhaa kuivia unikonsiemeniä. Unikon siemenet on höyrytettävä ja liotettava ennen jauhamista.

25. Älä ylitä  $\frac{3}{4}$  kulhon korkeutta, kun täytät elintarvikkeiden ainesosilla.

26. Säilytä laite poissa lasten ulottuvilta.

Tuotekuvaus: Monitoiminen planetaarinen monitoimikone Ad4221

- |                         |  |
|-------------------------|--|
| 1. kotelon varsi        | 2. moottorin kotelo                    |
| 3. roiskeenestokansi    | 4. Sekoitustastia 7,0 litraa           |
| 5. hiomakoneen etukansi | 6. Muovinen pusher                     |
| 7. kallistusnuppi       | 8. nopeuden säätönuppi                 |
| 9. munan vispilä        | 10. Sekoitin                           |
| 11. Kaulakoukku         | 12. Kiinnitysmutteri                   |
| 13. seulat 3, 5, 7mm    | 14. Sekoituspoikkiterä                 |
| 15. matovaihde          | 16. Jauhamisalusta                     |
| 17. Jauhiskammio        | 18. Sekoittimen kiinnityspesä jousella |

#### ENNEN ENSIMMÄISTÄ KÄYTTÖÄ

1. Kaikki laitteen osat on puhdistettava perusteellisesti ennen ensimmäistä käyttöä. Katso kohta: "Puhdistus ja huolto".

2. Aseta laite vaakasuoralle ja tasaiselle pinnalle.

3. Älä koskaan käytä laitetta ilman valvontaa.

4. Älä kosketa liikkuvia osia sormillasi. Anna pyörievien lisävarusteiden pysähtyä ennen kulhon avaamista.

**VAROITUS: ÄLÄ KÄYTÄ Sekoitus- ja jauhatustoimintoja samaan aikaan !! KÄYTÄ VAIN YKSIÄ NIISTÄ.**

• Sekoitustoimintoa käytettäessä etukannen (5) tulee olla paikallaan.

• Kun käytät jauhatustoimintoa, kulho (4) roiskeuojalla (3) tulee sijoittaa paikalleen, jotta loppukäyttäjät voidaan suojata sekoittimen kiinnityspesän ja jousen (18) kiertymiseltä.

5. Katkaise laitteesta virta ja irrota virtajohto ennen lisävarusteiden vaihtamista.

#### KOKOAMISTAPA: Sekoitustoiminto

Varmista ennen monitoimikoneen kokoamista, että virtajohto on irrotettu pistorasiasta ja nopeuden säätönuppi on "0" -asennossa.

1. Aseta kulho moottoriyksikköön ja käännä sitä myötäpäivään, kunnes tunnet, ettei se voi liikkua pidemmälle vasemmalle. Kulho on tukossa.

2. Valitse oikea kiinnitys vaadittuun toimintaan:

- Munan vispilä (9) vatkaamiseen: munanvalkuaiset, kakkurasvat, kermavaahto jne.

- Sekoitusvatkain (10) kevyiden seosten sekoittamiseen: majoneesi, pannukakutaikina, sokerikakku jne.

- Taikinakoukku (11) raskaan taikinan vaivaamiseen: leipätaikina, hiivataikina jne.

3. Aseta oikea lisälaite (9 tai 10 tai 11) sekoittimen kiinnityspesän pulttiin, jossa on jousi (18). Säädä kahden ulkonevan metallielementin asentoa, jotta ne tulevat sekoittimen kiinnityspesän koveisiin paikkoihin jousella (18) - katso kuvaa A. Työnnä lisälaitetta ylöspäin, kunnes jousi on täysin puristunut, käännä kokonaan myötäpäivään ja vapauta - katso kuvaa B.

4. Laita ruoka -aineet kulhoon ja sulje kotelon varsi (1) painamalla kallistusnuppiä (7) alaspäin.

5. Kytke laite pistorasiaan ja pyöritä nopeussäädintä (8) halutun nopeuden mukaan. Nopeus 0 tarkoittaa moottorin pysähtymistä, nopeus 1 tarkoittaa hitainta nopeutta, nopeus 6 tarkoittaa suurinta pyörimisnopeutta. P - tarkoittaa pulssitilaa, se tarkoittaa hammaspyörien pyörimistä, kun nuppi (8) pidetään pulssiasennossa.

6. Kytke laite pois päältä käytön jälkeen kiertämällä nopeussäädin (8) asentoon 0 ja kytkemällä laite pois päältä.

7. Nosta kotelon varsi (1) painamalla kallistusnuppiä (7) alaspäin. Jos sekoitettu seos on oikea, poista lisäosa. Jos haluat irrottaa lisälaitteen, nosta sitä hieman puristaaksesi jousen kokonaan, käännä sitten koko lisälaite vasemmalle ja vedä se alas.

8. Käännä kulhoa (4) vastapäivään ja irrota se moottorin kotelosta (2) pitäen kiinni molemmiin käsiin. Muista, että kulho voi olla raskas.



## KOKOAMISTAPA: Jauhatusuiminto

1. Aseta kulho (4) moottorin koteloon (2) ja sulje kotelon varsi (1) painamalla kallistusnuppia (7). Älä asenna mitään lisälaitteita kulhon (4) sisälle. Sen on suojattava sinua sekoittimen kiinnityspesän pyörimiseltä jousella (18). On normaalia, että sekoittimen kiinnityspesä, jossa on jousi (18), pyörii kulhon sisällä, kun käytät jauhainta.
  2. Poista etukansi (5) hiomakoneen asentamiseksi.
  3. Aseta jauhamiskammion (17) sisälle matohammaspyörä (15), seuraavaksi jauhatuspoikkiterä (14) oikein. Varmista, että asetet se oikealle puolelle, sama kuin kuvassa C. Seuraavaksi aseta oikea seula (13) ja ruuvaa kevyesti kiinnitysmutteri (12) päähän.
- HUOMAUTUS:** kiinnitysmutteri (12) on ruuvattava kevyesti ENNEN koko jauhamisyksikön kokoamista moottorin koteloon (2). Jauhatusyksikön kuusikulmaisen reiän (kuva D1) sijainti on säädetävä moottorin koteloon (2) kuusikulmaisen akselin kohdalle.
4. Aseta jauhelihayksikkö kuvan D3 osoittamaan asentoon (kaltevuusasento), työnnä se moottorikotelon (2) sisään ja käännä vasemmalle kuvassa D4 esitettyyn pystysuoraan asentoon. Jauhelihayksikön lähellä oleva musta pyöreä painike palaa ulkonevaan asentoon. Ruuvaa kiinnitysmutteri (12) tiukasti kiinni.
  5. Asenna jauhamisastia (16) jauhamiskammion (17) päälle.
  6. Purkaa jauhelihayksikkö painamalla mustaa pyöreää painiketta päinvastaisessa järjestyksessä.

## KÄYTTÖ: Sekoitustoiminto

- Raskaan taikinan vaivaaminen (leipätaikina, hiivataikina jne.)

Kokoa taikinakoukku (11). Laita ruoka -aineet kulhoon. Ehdotettu jauhojen ja veden annos on: 5: 3. Jauhojen enimmäismäärä: 1500 g. On suositeltavaa aloittaa vaivaaminen nopeudella 1 tai 2 enintään 20 sekunnin ajan. Aseta seuraavaksi nopeus 3 ja käytä enintään 4 minuuttia yhtäjaksoisesti kerrallaan.

- Kevyiden seosten (majoneesi, pannukakutaikina, sokerikakku jne.) Sekoittaminen

Kokoa sekoitusvatkain (10). Laita ruoka -aineet kulhoon enintään  $\frac{3}{4}$  korkealle kulhosta. Kytke nopeus 3-4 päälle ja sekoita niin kauan kuin haluat halutun tiheyden saavuttamiseksi. Käytä enintään 4 minuuttia yhtäjaksoisesti kerrallaan.

- Vatkaa (munanvalkuaiset, kakkuvoiteet, kermavaahto jne.)

Kokoa munan vispilä (9).

Valkuusten vatkaaminen: Laita valkuaiset kulhoon enintään 24 munaan. Kytke nopeus 4-6 päälle ja sekoita noin 5 minuuttia, kunnes se on jäykkää. Sekoitus aika riippuu munien koosta.

Kermavaahto: laita vähintään 250 ml tuoretta kermaa (jäähdytetty jääkaapissa vähintään 8 tuntia). Sekoita nopeudella 4-6 noin 5 minuuttia. Älä ylitä  $\frac{1}{2}$  korkeutta kulhossa kaadettua tuoretta kermaa, jotta kermavaahdolle jää riittävästi tilaa.

## KÄYTTÖ: Jauhatusuiminto

1. Leikkaa kaikki elintarvikkeet paloiksi (hartiatonta, luutonta ja rasvatonta nautanlihaa tai sianlihaa suositellaan, suunnitteen koko: (20 mm x 20 mm x 60 mm,) niin, että ne mahtuvat helposti jauhatusputkeen (17).

2. Kytke laite pistorasiaan ja kytke virta päälle ja käännä sitten nopeuden säätönappi (8) 4-6 nopeuteen.

3. Syötä ruoka jauhamisastialle (16). Käytä siihen vain muovista työntötyökalua (6).

4. Kytke laite pois päältä käytön jälkeen ja irrota se virtalähteestä.

5. Käytä enintään 4 minuuttia yhtäjaksoisesti kerrallaan.

6. Laitte on varustettu 3 seulalla, joiden reiät ovat halkaisijaltaan 3 mm, 5 mm ja 7 mm, ja valitse sopiva reikälevy haluamaasi astiaan.

- 3 mm: n seula - hieno verkko hiontaan melko kompaktiin, tasaiseen sakeuteen. Täydellinen täytteeksi ja pastaaksi.

- 5 mm siivilä - keskipitkä verkko lihan jauhamiseen jauhettuja leikkeleitä, hampurilaisia, lihapullia ja täytejä nyyttejä, pannukakkuja ja tortilloja varten. Tällä siivilällä voit jauhaa myös vihanneksia, kovaa juustoa ja jopa pähkinöitä.

- 7 mm siivilä - paksu verkko lihan jauhamiseen, jolla on selkeä rakenne. Siivilä on tarkoitettu makkaroiden ja pikkupurtavien valmistukseen.

## YLIKUUMENEMISEN SUOJAUSLAITE

Laitte sammuu automaattisesti 15 minuutin jatkuvan käytön jälkeen moottorin suojaamiseksi ylikuumenemiselta. Laitte on kytkettävä irti ja annettava sen jäähtyä ennen seuraavaa käyttöä. Laitte toimii jäähtyessään normaalisti.

## PUHDISTUS JA HUOLTO

1. Varmista ennen laitteen puhdistamista, että virtajohto on irrotettu pistorasiasta ja nopeuden säätönappi on "0" -asennossa. Anna laitteen jäähtyä ennen puhdistusta.

2. Pura kaikki lisävarusteet moottorin kotelosta (2). Älä puhdistaa lisävarusteita, kun ne on asennettu koneen käyttökokoonpanoon.

3. Älä käytä aggressiivisia pesuaineita moottorin koteloon (2) puhdistamiseen, koska se voi poistaa graafiset symbolit, kuten: asteikko, merkit, turvamerkit jne.

4. Älä pese metalliosia astianpesukoneissa. Astianpesukoneissa käytettävät aggressiiviset puhdistusaineet saavat metalliosat mustumaan.

Pese metalliosat käsin perinteisellä astianpesuaineella. Käytä pehmeää harjaa.

5. Pyyhi ulkoiset osat talouspaperilla tai pehmeällä liinalla.

6. Älä käytä hankaavia materiaaleja laitteen puhdistamiseen.

7. Älä upota moottorikoteloa ( ) veteen tai muihin nesteisiin.

## TEKNISET TIEDOT

Virtalähde: 220-240V ~ 50/60Hz

Teho: 1200W

Suurin teho: 2200 W

Kulho ruostumatonta terästä 7 litraa

Suurin käyttöaika yhdessä jaksossa: 15 minuuttia.

Vähimmäislepoaika syklien välillä: vähintään 10 minuuttia.



Suojellaksesi ympäristöäsi: hävitä pahvilaatikat ja muovipussit ja kierrätä ne niille tarkoitetuissa jäteastioissa. Käytetyt koneet tulee toimittaa niihin erioistuneisiin keräyspisteisiin ympäristölle vaarallisten aineiden takia. Älä hävitä laitteita sekajätteessä.

## Slovenščina

### VARNOSTNI POGOJI. POMEMBNA NAVODILA O VARNOSTI UPORABE PROSIMO, DA PREVIDNO PREBERETE IN BODITE NA PRIHODNI REFERENCI

Garancijski pogoji so drugačni, če se naprava uporablja v komercialne namene.

1. Pred uporabo izdelka pozorno preberite in vedno upoštevajte naslednja navodila.

Proizvajalec ne odgovarja za morebitno škodo zaradi zlorabe.

2. Izdelek je dovoljeno uporabljati samo v zaprtih prostorih. Izdelka ne uporabljajte za noben namen, ki ni združljiv z njegovo uporabo.

3. Napetost naprave je 220-240V, ~ 50/60Hz. Iz varnostnih razlogov ni primerno priključiti več naprav v eno vtičnico.

4. Bodite previdni pri uporabi v bližini otrok. Otrokom ne dovolite, da se igrajo z izdelkom. Ne dovolite otrokom ali osebam, ki naprave ne poznajo, da jo uporabljajo brez nadzora.

5. **OPOZORILO:** To napravo lahko uporabljajo otroci, starejši od 8 let, in osebe z zmanjšanimi fizičnimi, senzoričnimi ali duševnimi sposobnostmi ali osebe brez izkušenj ali znanja o napravi, le pod nadzorom osebe, odgovorne za njihovo varnost, ali če so bili poučeni o varni uporabi naprave in se zavedajo nevarnosti, povezanih z njenim delovanjem. Otroci se ne smejo igrati z napravo. Otroci ne smejo čistiti in vzdrževati naprave, razen če so starejši od 8 let in se te dejavnosti izvajajo pod nadzorom.

6. Ko končate z uporabo izdelka, ne pozabite nežno odstraniti vtiča iz vtičnice, tako da ga držite z roko. Nikoli ne vlecite za napajalni kabel !!!

7. Nikoli ne puščajte izdelka priključenega na vir napajanja brez nadzora. Tudi če je uporaba za kratek čas prekinjena, jo izklopite iz omrežja in izključite napajanje.

8. Napajalnega kabla, vtiča ali celotne naprave nikoli ne spuščajte v vodo. Izdelka nikoli ne izpostavljajte atmosferskim razmeram, kot so neposredna sončna svetloba, dež itd. Nikoli ne uporabljajte izdelka v vlažnih razmerah.

9. Občasno preverite stanje napajalnega kabla. Če je napajalni kabel poškodovan, je treba izdelek obrniti na poklicno servisno mesto, kjer ga je treba zamenjati, da bi se izognili nevarnim situacijam.

10. Izdelka nikoli ne uporabljajte s poškodovanim napajalnim kablom, če je padel ali kako drugače poškodovan ali če ne deluje pravilno. Poškodovanega izdelka ne poskušajte popraviti sami, ker lahko povzroči električni udar. Poškodovano napravo vedno obrnite na poklicni servis, da jo popravite. Vsa popravila lahko opravijo le pooblašteni serviserji. Nepravilno opravljeno popravilo lahko povzroči nevarne situacije za uporabnika.

11. Izdelka nikoli ne postavljajte na ali v bližini vročih ali toplih površin ali kuhinjskih aparatov, kot sta električna pečica ali plinski gorilnik.

12. Izdelka nikoli ne uporabljajte v bližini vnetljivih snovi.
13. Ne dovolite, da kabel visi čez rob pulta in se ne dotika vročih površin.
14. Za dodatno zaščito je priporočljivo, da v napajalni tokokrog vgradite napravo za zaščito pred diskretnim tokom (RCD) z nazivno vrednostjo preostalega toka največ 30 mA. V zvezi s tem se obrnite na poklicnega električarja.
15. Naprava ni namenjena industrijski predelavi hrane.
16. Motorne enote ne potaplajte v vodo. Ne perite v pomivalnih strojih. Naprave in njenega pribora ne izpostavljajte visokim temperaturam (nad 60 ° C).
17. Pred čiščenjem in odstranitvijo dodatne opreme nastavite regulator hitrosti v položaj "0" in odklopite napajalni kabel.
18. Pred uporabo naprave preverite, ali so vsi deli in dodatki pravilno nameščeni:
  - planetarni predelovalec hrane: zagotovite, da je nastavek popolnoma vstavljen v vtičnico, sicer lahko vpliva na rezultat mešanja.
  - mlinček za meso: mletje je treba skrbno sestaviti. Napačna montaža lahko povzroči slabše brušenje in ostrenje noža in luknje.
19. Uporabljajte samo originalne dodatke, ki so priloženi mlinčku za meso in planetarnemu predelovalcu hrane.
20. Naprave ne preobremenjujte s presežkom izdelka in ga ne vtikajte premočno. Za potiskanje izdelka uporabite samo potisni stroj. Uporaba drugega predmeta lahko poškoduje mlinček za meso.
22. Meso, ki ga je treba zmleti, mora biti brez kosti, hrušč, kit in žil. Večje dele narežite na koščke.
23. Ne prekrivajte prezračevalnih odprtin v ohišju, ko je naprava vklopljena.
24. Ne meljite suhega maka. Makovo seme je treba pred mletjem popariti in namočiti.
25. Ne polnite  $\frac{3}{4}$  posode visoko, ko jih napolnite s sestavinami hrane.
26. Napravo shranite izven dosega otrok.

Opis izdelka: Večnamenski planetarni predelovalec hrane Ad4221

- |                              |   |
|------------------------------|---|
| 1. Roka ohišja               | 2. Ohišje motorja                       |
| 3. Pokrov proti škropljenju  | 4. Mešalna posoda 7,0 litra             |
| 5. Prednji pokrov sekjalnika | 6. Plastični potisnik                   |
| 7. Gumb za nagib             | 8. Gumb za nadzor hitrosti              |
| 9. Mešalnik za jajca         | 10. Mešalnik za mešanje                 |
| 11. Kavelj za testo          | 12. Pritrdilna matica                   |
| 13. Šita 3, 5, 7 mm          | 14. Mrežno križno rezilo                |
| 15. Črna gonila              | 16. Pladenj za sekanje                  |
| 17. Komora za mletje         | 18. Mešalno pritrdilno gnezdo z vzmetjo |

#### PRED PRVO UPORABO

1. Pred prvo uporabo je treba vse dele naprave temeljito očistiti. Glejte poglavje: "Čiščenje in vzdrževanje".
  2. Napravo postavite na vodoravno in ravno površino.
  3. Naprave nikoli ne uporabljajte brez nadzora.
  4. Ne dotikajte se premikajočih se delov s prsti. Preden odprete posodo, pustite, da se vrtljivi pripomočki ustavijo.
- OPOZORILO: NE UPORABLJAJTE MESANJA IN MENJANJA FUNKCIJ Hkrati !! UPORABI SAMO ENEGA.**
- Pri uporabi mešalne funkcije mora biti sprednji pokrov (5) nameščen na svojem mestu.
  - Pri uporabi funkcije sekljanja naj bo posoda (4) s pokrovom proti brizganju (3) nameščena na svojem mestu, da zaščiti končnega uporabnika pred obračanjem pritrdilnega gnezda mešalnika z vzmetjo (18).
5. Pred menjavo dodatne opreme izklopite napravo in odklopite napajanje.

Preden sestavite predelovalec hrane, se prepričajte, da je napajalni kabel iztaknjen iz vtičnice in da je gumb za nadzor hitrosti v položaju "0".

1. Posodo postavite v motorno enoto in jo obrnite v smeri urinega kazalca, dokler ne začutite, da se ne more premakniti več v levo.

Posoda je blokirana.

2. Izberite ustrezno pritrnitev na zahtevano delovanje:

- Jajčna metlica (9) za stepenje beljakov, krem za torte, stepene smetane itd.

- Mešalnik (10) za mešanje lahkih mešanic: majoneze, testa za palačinke, biskvita itd.

- Kavelj za testo (11) za gnetenje težkega testa: krušno testo, testo iz kvasa itd.

3. Namestite ustrezno pritrnitev (9 ali 10 ali 11) na vijak pritrilnega gnezda mešalnika z vzmetjo (18). Prilagodite položaj dveh štrlečih kovinskih elementov, ki bosta vstopili v vbočena mesta pritrilnega gnezda mešalnika z vzmetjo (18) - poglejte sliko A. Potisnite nastavek navzgor, dokler se žvila popolnoma ne stisne, obrnite do konca v smeri urinega kazalca in spustite - poglejte sliko B.

4. Sestavine za živla položite v posodo in pritisnite gumb za nagib (7) navzdol, da zaprete ohišje (1).

5. Priključite napravo in zavrtite gumb za hitrost (8) za zahtevano hitrost. Hitrost 0 pomeni ustavljen motor, hitrost 1 pomeni najnižjo hitrost, hitrost 6 pomeni največjo vrtenje. P - pomeni impulzni način, pomeni impulzno vrtenje zobnikov, ko je gumb (8) v položaju pulza.

6. Po uporabi napravo izklopite tako, da zavrtite gumb za hitrost (8) v položaj 0 in napravo izklopite.

7. Pritisnite gumb za nagib (7) navzdol, da dvignete ohišje (1). Če je mešanica pravilna, odstranite nastavek. Če želite odstraniti nastavek, ga rahlo dvignite, da se vzmet popolnoma stisne, nato celoten nastavek obrnite na levo in ga povlecite navzdol.

8. Posodo (4) obrnite v nasprotni smeri urinega kazalca in jo držite z obema rokama. Ne pozabite, da je posoda lahko težka.

**NAČIN SESTAVLJANJA: Funkcija brusilnika**

1. Posodo (4) postavite na ohišje motorja (2) in zaprite ročico ohišja (1) s pritiskom na gumb za nagib (7). V posodo (4) ne sestavljajte nobenih nastavkov. Zaščititi vas mora pred obračanjem pritrilnega gnezda mešalnika z vzmetjo (18). Običajno je, da se mešalno pritrilno gnezdo z vzmetjo (18) vrti v posodi pri uporabi sekjalnika.

2. Odstranite sprednji pokrov (5), da nastavite brusilnik.

3. V notranjost sekjalne komore (17) namestite polžasti zobnik (15), nato pravilno namestite rezilo za seklanje (14). Pazite, da ga namestite na pravo stran, tako kot je prikazano na sliki C. Nato postavite ustrezno sito (13) in na koncu LAKO privijte pritrilno matico (12). OPOMBA: pritrilno matico (12) je treba LAKO priviti, preden sestavite celotno sekalno enoto na ohišje motorja (2). Položaj šesterokotne luknje (slika D1) v sekalni enoti je treba prilagoditi šesterokotni gredi v ohišju motorja (2).

4. Postavite enoto sekjalnika v položaj, prikazan na sliki D3 (položaj pobočja), jo potisnite v ohišje motorja (2) in zavijte levo v navpični položaj, prikazan na sliki D4. Črni okrogel gumb blizu enote sekjalnika se bo vrnil v položaj za štrljenje. Zdaj trdno privijte pritrilno matico (12).

5. Namestite pladenj za sekanje (16) na vrh komore za seklanje (17).

6. Če želite razstaviti enoto sekjalnika, pritisnite črno okroglo tipko v obratnem vrstnem redu.

**UPORABA: Funkcija mešalnika**

• Gnetenje težkega testa (testo za kruh, testo iz kvasa itd.)

Sestavite kljuko za testo (11). V posodo dajte sestavine hrane. Priporočeni obrok moke in vode je: 5: 3. Največja količina moke: 1500 g. Priporočljivo je, da gnetete pri hitrosti 1 ali 2 za največ 20 sekund neprekinjenega delovanja. Nato nastavite hitrost 3 in ne delujte več kot 4 minute neprekinjeno hkrati.

• Mešanje lahkih mešanic (majoneza, testo za palačinke, biskviti itd.)

Sestavite mešalnik (10). Sestavine za hrano postavite v skledo do največ  $\frac{3}{4}$  posode. Vključite hitrost 3-4 in mešajte toliko časa, da dosežete želeno gostoto. Ne uporabljajte neprekinjeno največ 4 minute hkrati.

• Stepanje (beljaki, kreme za torte, stepena smetana itd.)

Sestavite jajčno metlico (9).

Za stepanje beljakov: Beljake dajte v posodo na največ 24 jajc. Vključite hitrost 4-6 in premešajte, približno 5 minut, dokler se ne strdi. Čas mešanja je odvisen od velikosti jajc.

Za stepeno smetano: dajte vsaj 250 ml sveže smetane (predhodno ohlajeno v hladilniku vsaj 8 ur) .. Mešajte pri hitrosti 4 do 6 približno 5 minut. Ne prekoračite količine  $\frac{1}{2}$  višine posode vlijete sveže smetane, da ostane dovolj prostora za stepeno smetano.

**UPORABA: Funkcija brusilnika**

1. Vsa živila narežite na koščke (priporočljivo je goveje ali svinjsko meso brez kosti, brez kosti in maščobe, približno velikosti: (20 mm x 20 mm x 60 mm)), tako da se zlahka prilegajo mleti cevi (17).

2. Priključite napravo in jo vključite ter nato obrnite gumb za nadzor hitrosti (8) na 4-6 hitrosti.

3. Vstavite hrano v pladenj za seklanje (16). Za to uporabite samo plastični potisnik (6).

4. Po uporabi napravo izklopite in jo izključite iz napajanja.

5. Ne uporabljajte neprekinjeno največ 4 minute hkrati.

6. Naprava je opremljena s 3 siti s premerom lukenj 3 mm, 5 mm in 7 mm, izbrala je ustrezno ploščo z luknjami za želeno posodo.

- 3 -milimetrsko sito - fina mreža za mletje do dokaj kompaktne, enotne konsistence. Idealen za polnjenje in pašteto.

- cedilo 5 mm - srednja mreža za mletje mesa za mlete kotlete, burgerje, polpete in nadeve za cmoke, palačinke in tortilje. Z uporabo tega cedila lahko zmeljete tudi zelenjavo, trdi sir in celo oreščke.

- cedilo 7 mm - debela mreža za mletje mesa z izrazito strukturo. Cedilo je namenjeno proizvodnji klobas in drobov.

Naprava se bo samodejno izklopila po 15 minutah neprekinjenega delovanja, da zaščiti motor pred pregrevanjem. Pred naslednjo uporabo morate napravo izključiti in pustiti, da se ohladi. Ko se naprava ohladi, bo delovala normalno.

## ČIŠČENJE IN VZDRŽEVANJE

1. Pred čiščenjem naprave se prepričajte, da je napajalni kabel iztaknjen iz vtičnice in da je gumb za nadzor hitrosti v položaju "0". Pred čiščenjem pustite, da se naprava ohladi.
2. Odstranite vso dodatno opremo iz ohišja motorja (2). Ne čistite dodatne opreme, medtem ko je nameščena na pogonski sklop stroja.
3. Za čiščenje ohišja motorja (2) ne uporabljajte agresivnih čistilnih sredstev, saj lahko odstranijo informativne grafične simbole, kot so: lestvica, znaki, varnostne oznake itd.
4. Kovinskih delov ne perite v pomivalnih strojih. Agresivna čistilna sredstva, ki se uporabljajo v pomivalnih strojih, povzročijo, da kovinski deli postanejo črni. Kovinske dele ročno operite s tradicionalnim sredstvom za pomivanje posode. Uporabite mehko krtačo.
5. Zunanje dele obrišite s kuhinjsko krpo ali mehko krpo.
6. Za čiščenje naprave ne uporabljajte abrazivnih materialov.
7. Ohišja motorja ( ) ne potaplajte v vodo ali druge tekočine.

## TEHNIČNI PODATKI

Napajanje: 220-240V ~ 50/60Hz

Moč: 1200 W

Največja moč: 2200 W

Posoda iz nerjavečega jekla 7 litrov

Največji čas delovanja v enem ciklu: 15 minut.

Najkrajši čas počitka med cikli: najmanj 10 minut.



Zaščita okolja

Prosimo ločite kartonske škatle od plastičnih vreč, ter jih odvrzite v primerne koše za smeti. Odslužene naprave zavrzite v zbirne centre zaradi nevarnih komponent, ki lahko ogrožajo okolje. Naprave ne zavrzite v navaden koš za smeti.

## ČESKY

### BEZPEČNOSTNÍ PODMÍNKY. DŮLEŽITÉ POKYNY K BEZPEČNOSTI POUŽITÍ PROSÍM ČTĚTE POZORNĚ A UCHOVÁVEJTE SI PRO BUDOUCÍ REFERENCI

Záruční podmínky se liší, pokud je zařízení používáno ke komerčním účelům.

1. Před použitím výrobku si pečlivě přečtete a vždy dodržujte následující pokyny. Výrobce neodpovídá za žádné škody způsobené nesprávným použitím.
2. Výrobek je určen pouze k použití uvnitř. Nepoužívejte výrobek k žádnému účelu, který není kompatibilní s jeho aplikací.
3. Napětí zařízení je 220-240V, ~ 50/60Hz. Z bezpečnostních důvodů není vhodné připojovat více zařízení k jedné elektrické zásuvce.
4. Při používání kolem dětí buďte opatrní. Nenechávejte děti si s výrobkem hrát. Nedovolte dětem nebo lidem, kteří neznají zařízení, používat jej bez dozoru.
5. **UPOZORNĚNÍ:** Toto zařízení mohou používat děti starší 8 let a osoby se sníženými fyzickými, smyslovými nebo mentálními schopnostmi nebo osoby bez zkušeností nebo znalostí zařízení, pouze pod dohledem osoby odpovědné za jejich bezpečnost, popř. pokud byli poučeni o bezpečném používání zařízení a jsou si vědomi nebezpečí spojených s jeho provozem. Děti by si se zařízením neměly hrát. Čištění a údržbu zařízení by neměly provádět děti, pokud jim není více než 8 let a tyto činnosti provádějí pod dohledem.
6. Po ukončení používání výrobku vždy jemně vytáhněte zástrčku ze zásuvky a držte ji rukou. Nikdy netahejte za napájecí kabel !!!
7. Nikdy nenechávejte výrobek připojený ke zdroji napájení bez dohledu. I když je používání na krátkou dobu přerušeno, vypněte jej ze sítě a odpojte napájení.
8. Nikdy nedávejte napájecí kabel, zástrčku nebo celé zařízení do vody. Nikdy nevystavujte

výrobek atmosférickým podmínkám, jako je přímé sluneční světlo nebo déšť atd. Nikdy nepoužívejte výrobek ve vlhkých podmínkách.

9. Pravidelně kontrolujte stav napájecího kabelu. Pokud je napájecí kabel poškozen, měl by být produkt přeměněn na profesionální servisní místo, kde bude provedena výměna, aby se předešlo nebezpečným situacím.

10. Nikdy nepoužívejte výrobek s poškozeným napájecím kabelem, pokud vám upadl nebo byl poškozen jiným způsobem nebo pokud nefunguje správně. Nepokoušejte se opravit poškozený výrobek sami, protože to může vést k úrazu elektrickým proudem. Poškozené zařízení vždy opravte na profesionálním servisním místě. Veškeré opravy mohou provádět pouze autorizovaní servisní pracovníci. Oprava, která byla provedena nesprávně, může uživateli způsobit nebezpečné situace.

11. Nikdy nepokládejte výrobek na horké nebo teplé povrchy nebo do blízkosti kuchyňských spotřebičů, jako je elektrická trouba nebo plynový hořák, nebo do jejich blízkosti.

12. Nikdy nepoužívejte výrobek v blízkosti hořavin.

13. Nenechávejte kabel viset přes hranu pultu ani se dotýkat horkých povrchů.

14. Aby byla zajištěna dodatečná ochrana, doporučuje se instalovat do výkonového obvodu zařízení s proudovým chráničem (RCD) se jmenovitým zbytkovým proudem nejvýše 30 mA. V této záležitosti kontaktujte profesionálního elektrikáře.

15. Zařízení není určeno pro průmyslové zpracování potravin.

16. Neponořujte motorovou jednotku do vody. Neumývejte v myčkách nádobí. Nevystavujte zařízení a jeho příslušenství vysokým teplotám (nad 60 ° C).

17. Před čištěním a vyjímáním příslušenství nastavte ovladač rychlosti do polohy „0“ a odpojte napájecí kabel.

18. Před použitím zařízení zkontrolujte, zda jsou všechny součásti a příslušenství správně namontovány:

- planetární kuchyňský robot: zajistěte, aby byl nástavec zcela zasunut do zásuvky, jinak může být ovlivněn výsledek míchání.

- mlýnek na maso: mlecí sestavu je třeba pečlivě sestavit. Nepřesná montáž může způsobit špatný výkon broušení a otupení desky nože a otvoru.

19. Používejte pouze originální příslušenství dodávané s mlýnkem na maso a planetovým kuchyňským robotem.

20. Nepřetěžujte zařízení přebytečným produktem ani jej příliš netlačte. K zasouvání produktu používejte pouze tlačný knoflík. Mlýnek na maso můžete poškodit jiným předmětem.

22. Mleté maso by nemělo obsahovat kosti, chomáče, šlachy ani žíly. Větší části nakrájejte na kousky.

23. Nezakrývejte větrací otvory v krytu, když je zařízení zapnuté.

24. Suchý mák nemelte. Mák je třeba před mletím spařit a namočit.

25. Při plnění přísadami potravin nepřekračujte  $\frac{3}{4}$  mísy.

26. Zařízení skladujte mimo dosah dětí.

Popis produktu: Multifunkční planetární kuchyňský robot Ad4221

- |                               |   |
|-------------------------------|---|
| 3. Kryt proti stříkající vodě | 4. Mísící mísa 7,0 litru                    |
| 5. Přední kryt mlýnku         | 6. Plastový posunovač                       |
| 7. Naklápěcí knoflík          | 8. Ovladač rychlosti                        |
| 9. Vaječná šlehačka           | 10. Míchací šlehač                          |
| 11. Hák na těsto              | 12. Upevňovací matice                       |
| 13. Síta 3, 5, 7 mm           | 14. Mlýnková křížová čepel                  |
| 15. Válečné zařízení          | 16. Mlecí plech                             |
| 17. Mlecí komora              | 18. Hnízdo pro připevnění mixéru s pružinou |

#### PŘED PRVNÍM POUŽITÍM

1. Všechny části zařízení je třeba před prvním použitím důkladně vyčistit. Viz část: „Čištění a údržba“.
2. Postavte zařízení na vodorovný a rovný povrch.
3. Nikdy neprovozujte zařízení bez dohledu.

4. Nedotýkejte se pohybujících se částí prsty. Před otevřením misky nechte rotující příslušenství zastavit.

**UPOZORNĚNÍ: NEPOUŽÍVEJTE SOUČASNĚ FUNKCE MÍCHÁNÍ A MINCOVÁNÍ !! POUŽÍVEJTE POUZE JEDEN Z NICH.**

- Při použití funkce míchání by měl být přední kryt (5) umístěn na svém místě.
  - Pokud používáte funkci mletí, mísa (4) s krytem proti stříkající vodě (3) by měla být umístěna na svém místě, aby koncový uživatel chránil před otáčením připevňovacího hnízda mixéru s pružinou (18).
5. Před výměnou příslušenství vypněte zařízení a odpojte jej od napájení.

#### MONTÁŽNÍ ZPŮSOB: Funkce směšovače

Před sestavením kuchyňského robotu se ujistěte, že je napájecí kabel odpojený od elektrické zásuvky a že knoflík ovládání rychlosti je v poloze "0".

1. Umístěte misku do motorové jednotky a poté ji otáčejte ve směru hodinových ručiček, dokud neucítíte, že se nemůže pohybovat dále doleva. Miska je zablokovaná.
2. Zvolte správné připojení k požadované operaci:
  - Vaječná metla (9) na šlehání: vaječné bílky, dortové krémy, šlehačka atd.
  - Míchací šlehač (10) pro míchání lehkých směsí: majonézy, těsta na palačinky, piškoty atd.
  - Hnětací hák (11) na hnětení těžkého těsta: chlebové těsto, kynuté těsto atd.
3. Nasadte správný nástavec (9 nebo 10 nebo 11) na šroub upevňovacího hnízda mixéru s pružinou (18). Upravte polohu dvou vyčnívajících kovových prvků tak, aby se dostaly do konkávních míst upevňovacího hnízda mixéru s pružinou (18) - podívejte se na obrázek A. Zatlačte nástavec nahoru, dokud se pružina úplně nestlačí, zcela otočte ve směru hodinových ručiček a uvolněte - podívejte se na obrázek B .
4. Do mísy vložte potravinářské přísady a stisknutím výklopného knoflíku (7) dolů zavřete rameno pouzdra (1).
5. Připojte zařízení a otočte knoflíkem rychlosti (8) na požadovanou rychlost. Rychlost 0 znamená zastavený motor, rychlost 1 znamená nejnižší rychlost, rychlost 6 znamená maximální otáčky. P - znamená pulzní režim, to znamená pulzní otáčení ozubených kol, když je knoflík (8) držen v pulzní poloze.
6. Po použití vypněte zařízení otočením knoflíku rychlosti (8) do polohy 0 a zařízení odpojte.
7. Stisknutím otočného knoflíku (7) dolů zvedněte rameno pouzdra (1). Pokud je namíchaná směs správná, sejměte nástavec. Chcete-li nástavec sejmut, trochu jej nadzvedněte, aby se pružina úplně stlačila, potom otočte celý nástavec na levé straně a stáhněte jej dolů.
8. Otočte mísu (4) proti směru hodinových ručiček a držte ji oběma rukama z tělesa motoru (2). Pamatujte, že mísa může být těžká.

#### MONTÁŽNÍ ZPŮSOB: Funkce mlýnku

1. Umístěte mísu (4) na kryt motoru (2) a zavřete rameno pouzdra (1) stisknutím knoflíku naklonění (7). Do mísy (4) nemontujte žádné

nástavce. Je třeba vás chránit před otáčením upevňovacího hnízda mixéru pružinou (18). Při používání mlýnku je normální, že se hnízdo nástavce mixéru s pružinou (18) otáčí uvnitř mísy.

2. Sejměte přední kryt (5) a nastavte mlýnek.

3. Do mlecí komory (17) vložte šnekové kolo (15), poté správně umístíte mlecí kříž (14). Dávejte pozor, abyste jej umístili na správnou stranu, stejně jako na obrázku C. Poté umístíte správné síto (13) a NA konci lehce přišroubujte upevňovací matici (12).

**UPOZORNĚNÍ:** upevňovací matici (12) je třeba PŘED sestavením celé mlecí jednotky na skříň motoru (2) PŘIPOJIT LEHKĚ. Je třeba upravit polohu šestihřanného otvoru (obrázek D1) v mlecí jednotce na šestihřanný hřídel v krytu motoru (2).

4. Umístíte jednotku mlýnku do polohy zobrazené na obrázku D3 (poloha sklonu), zatlačte ji dovnitř skříně motoru (2) a otočte doleva do svislé polohy zobrazené na obrázku D4. Černé kulaté tlačítko v blízkosti jednotky mlýnku se vrátí do vyčnívající polohy. Nyní pevně našroubujte upevňovací matici (12).

5. Namontujte mlecí plech (16) na horní část mlecí komory (17).

6. Chcete-li demontovat jednotku mlýnku, stiskněte černé kulaté tlačítko v opačném pořadí.

**POUŽITÍ: Funkce mixéru**

- Hnětení těžkého těsta (chlebové těsto, kynuté těsto atd.)

Sestavte hák na těsto (11). Do mísy vložte přísady do jídla. Doporučená dávka mouky a vody je: 5: 3. Maximální množství mouky: 1500 g. Doporučuje se zahájit hnětení rychlostí 1 nebo 2 po dobu nepřesahující 20 sekund nepřetržitého provozu. Dále nastavte rychlost 3 a pracujte maximálně 4 minuty nepřetržitě najednou.

- Míchání lehkých směsí (majonéza, těsto na palačinky, piškot atd.)

Sestavte míchací šlehač (10). Do mísy vložte přísady do max. ¾ výšky mísy. Zapněte rychlost 3-4 a míchejte tak dlouho, abyste dosáhli požadované hustoty. Nepoužívejte déle než 4 minuty nepřetržitě najednou.

- Šlehání (vaječné bílky, dortové krémy, šlehačka atd.)

Sestavte metličku na vejce (9).

Na šlehání bílků: Bílky dejte do mísy na max. 24 vajec. Zapněte rychlost 4-6 a míchejte asi 5 minut do tuha. Doba míchání závisí na velikosti vajec.

Na šlehačku: dejte alespoň 250ml čerstvé smetany (předtím chlazené v lednici alespoň 8 hodin) .. Míchejte to rychlostí 4 až 6 asi 5 minut. Nepřekračujte množství ½ výšky misky nalité čerstvé smetany, abyste měli dostatek místa pro šlehačku.

**POUŽITÍ: Funkce mlýnku**

1. Nakrájejte všechna jídla na kousky (doporučuje se hovězí nebo vepřové maso bez kosti, vykostěné a bez tuku, přibližně velikost: (20 mm x 20 mm x 60 mm,)), aby se snadno vešly do mlecí trubice (17).

2. Zapojte zařízení a zapněte a poté otočte knoflíkem regulace rychlosti (8) na 4-6 rychlosti.

3. Vložte jídlo do mlecího plechu (16). Použijte k tomu pouze plastový posunovač (6).

4. Po použití zařízení vypněte a odpojte od zdroje napájení.

5. Nepoužívejte déle než 4 minuty nepřetržitě najednou.

6. Zařízení je vybaveno 3 sítí s otvory o průměru 3 mm, 5 mm a 7 mm, zvolená vhodná otvorová deska k požadované misce.

- 3 mm síto - jemná síťovina pro mletí na poměrně kompaktní, jednotnou konzistenci. Ideální na plnění a paštiku.

- 5 mm sítko - střední sítko na mletí masa na mleté kotlety, hamburgery, masové kuličky a náplně na knedlíky, palačinky a tortilly. Pomocí tohoto sítko můžete také rozmílit zeleninu, tvrdý sýr a dokonce i ořechy.

- 7 mm sítko - silné pletivo pro mletí masa s výraznou strukturou. Sítko je určeno k výrobě párek a drobů.

**ZAŘÍZENÍ PRO OCHRANU PŘED PŘEHŘÁTÍM**

Zařízení se automaticky vypne po 15 minutách nepřetržitého provozu, aby byl motor chráněn před přehřátím. Před dalším použitím je



nutné zařízení odpojit a nechat vychladnout. Po vychladnutí zařízení bude fungovat normálně.

## ČIŠTĚNÍ A ÚDRŽBA

1. Před čištěním zařízení se ujistěte, že je napájecí kabel odpojený od elektrické zásuvky a že knoflík ovládání rychlosti je v poloze „0“.  
Před čištěním nechte zařízení vychladnout.
2. Demontujte veškeré příslušenství z pláště motoru (2). Nečistěte příslušenství, když je namontováno na sestavě pohonu stroje.
3. K čištění skříně motoru (2) nepoužívejte agresivní čisticí prostředky, protože by mohly být odstraněny informační grafické symboly, jako jsou měřítko, značky, bezpečnostní značky atd.
4. Neumývejte kovové části v myčkách nádobí. Agresivní čisticí prostředky používané v myčkách nádobí způsobují, že kovové části zčernají. Kovové části omyjte ručně pomocí tradičního mycího prostředku. Použijte měkký kartáč.
5. Vnější části otřete kuchyňskou utěrkou nebo měkkým hadříkem.
6. K čištění zařízení nepoužívejte abrazivní materiály.
7. Neponořujte kryt motoru ( ) do vody nebo jiných kapalin.

## TECHNICKÁ DATA

Napájení: 220-240V ~ 50/60Hz

Výkon: 1200W

Maximální výkon: 2200 W.

Nerezová mísa 7 litrů

Maximální doba provozu v jednom cyklu: 15 minut.

Minimální doba odpočinku mezi cykly: nejméně 10 minut.



Ochrana životního prostředí. Kartón odevzdejte do sběru. Polyetylénové sáčky (PE) vyhazujte do kontejneru na plasty. Vysloužilý přístroj odevzdejte do příslušného sběrného dvoru, protože některé části zařízení mohou představovat pro životní prostředí nebezpečí. Elektrický přístroj odevzdejte tak, aby se omezilo jeho opětovné používání. Pokud jsou v přístroji baterie, vyjměte je a odevzdejte do příslušného sběrného místa zvlášť. Přístroj nevyhazujte do popelnic ani kontejneru na směsný odpad!!

## DANSKI

### SIKKERHEDSBETINGELSER. VIGTIGE ANVISNINGER OM BRUG SIKKERHED LÆS VENLIGST OMHOLDIGT OG HOLD DIG TIL FREMTIDIG REFERENCE

Garantibetingelserne er forskellige, hvis enheden bruges til kommercielle formål.

1. Inden du bruger produktet, bedes du læse omhyggeligt og altid følge følgende instruktioner. Producenten er ikke ansvarlig for eventuelle skader på grund af misbrug.
2. Produktet må kun bruges indendørs. Brug ikke produktet til noget formål, der ikke er kompatibelt med dets anvendelse.
3. Enhedens spænding er 220-240V, ~ 50/60Hz. Af sikkerhedsmæssige årsager er det ikke hensigtsmæssigt at tilslutte flere enheder til en stikkontakt.
4. Vær forsigtig, når du bruger børn. Lad ikke børnene lege med produktet. Lad ikke børn eller personer, der ikke kender enheden, bruge den uden opsyn.
5. ADVARSEL: Denne enhed må kun bruges af børn, der er ansvarlige for deres sikkerhed, af børn over 8 år og personer med nedsatte fysiske, sensoriske eller mentale evner eller personer uden erfaring eller kendskab til enheden, eller hvis de blev instrueret i sikker brug af enheden og er klar over de farer, der er forbundet med dens betjening. Børn bør ikke lege

med enheden. Rengøring og vedligeholdelse af enheden bør ikke udføres af børn, medmindre de er over 8 år, og disse aktiviteter udføres under opsyn.

6. Når du er færdig med at bruge produktet, skal du altid huske at tage stikket forsigtigt ud af stikkontakten og holde fatningen med hånden. Træk aldrig i strømkablet !!!

7. Efterlad aldrig produktet tilsluttet strømkilden uden opsyn. Selv når brugen afbrydes i en kort periode, skal du slukke for den fra netværket, trække stikket ud.

8. Læg aldrig strømkablet, stikket eller hele enheden i vandet. Udsæt aldrig produktet for atmosfæriske forhold såsom direkte sollys eller regn osv. Brug aldrig produktet under fugtige forhold.

9. Kontroller jævnligt strømkablets tilstand. Hvis strømkablet er beskadiget, skal produktet vendes til et professionelt servicestæde, der skal udskiftes for at undgå farlige situationer.

10. Brug aldrig produktet med et beskadiget strømkabel, eller hvis det blev tabt eller beskadiget på anden måde, eller hvis det ikke fungerer korrekt. Forsøg ikke selv at reparere det defekte produkt, da det kan føre til elektrisk stød. Skift altid den beskadigede enhed til et professionelt servicestæde for at reparere den. Alle reparationer kan kun udføres af autoriserede servicepersonale. Reparationen, der blev foretaget forkert, kan forårsage farlige situationer for brugeren.

11. Læg aldrig produktet på eller tæt på de varme eller varme overflader eller køkkenmaskiner som f.eks. Den elektriske ovn eller gasbrænder.

12. Brug aldrig produktet tæt på brændbare stoffer.

13. Lad ikke ledningen hænge ud over kanten af disken eller berøre varme overflader.

14. For at give yderligere beskyttelse anbefales det at installere fejlstrømsenhed (RCD) i strømkredsløbet med en fejlstrøm på højst 30 mA. Kontakt en professionel elektriker i denne sag.

15. Enheden er ikke beregnet til industriel fødevarerforarbejdning.

16. Nedsenk ikke motorenheden i vand. Vask ikke i opvaskemaskiner. Udsæt ikke enheden og dets tilbehør for høje temperaturer (over 60 ° C).

17. Inden rengøring og fjernelse af tilbehør sættes hastighedskontrollen til positionen "0", og stikket tages ud af stikkontakten.

18. Inden apparatet tages i brug, skal du kontrollere, om alle dele og tilbehør er korrekt monteret:

- planetarisk fødevarerprocessor: Sørg for, at tilbehøret er sat helt ind i fatningen, ellers kan dit blandingsresultat blive påvirket.

- kødkværn: kværmenheden skal samles omhyggeligt. Unøjagtig samling kan forårsage dårlig slibningsevne og kniv- og hulplade stumpe.

19. Brug kun originalt tilbehør, der fulgte med kødkværnen og planetprocessoren.

20. Overbelast ikke enheden med overskydende produkt eller skubbe produktet for hårdt ind. Brug kun skubberen til at skubbe produktet ind. Brug af andre genstande kan beskadige kødkværnen.

22. Kød, der skal males, skal være frit for knogler, knast, sener eller vener. Skær de større dele i stykker.

23. Dæk ikke ventilationshullerne i huset, mens enheden er tændt.
24. Slib ikke tørt valmuefrø. Valmuefrøet skal dampes og gennemblødes, før det formales.
25. Overskrid ikke  $\frac{3}{4}$  skålen høj, når den er fyldt op med. madingredienser.
26. Opbevar enheden uden for børns rækkevidde.

Produktbeskrivelse: Multifunktions Planetary fødevareprocessor Ad4221

- |                                |                                |
|--------------------------------|--------------------------------|
| 1. Husarm                      | 2. Motorhus                    |
| 3. Anti-sprøjtetæksel          | 4. Blandeskål 7,0 liter        |
| 5. Front cover af hakkemaskine | 6. Plastsliber                 |
| 7. Vipenap                     | 8. Hastighedskontrolknop       |
| 9. Æggepiskeris                | 10. Blandingspisker            |
| 11. dejkrog                    | 12. fastgørelsesmøtrik         |
| 13. Sig 3, 5, 7 mm             | 14. Fræsning af tværblad       |
| 15. Ormgear                    | 16. Hakkeskål                  |
| 17. Hakkekammer                | 18. Mixer's redskab med fjeder |

#### FØR FØRSTE BRUG

1. Alle dele af enheden skal rengøres grundigt, før den tages i brug første gang. Se afsnittet: "Rengøring og vedligeholdelse".
2. Stil enheden på en vandret og flad overflade.
3. Betjen aldrig enheden uden opsyn.
4. Rør ikke ved bevægelige dele med fingrene. Lad det roterende tilbehør stoppe, før skålen åbnes.

**ADVARSEL: BRUG IKKE BLANDINGS- OG HÆNDINGSFUNKTIONER SAMTIDIGT !! BRUG KUN EN AF DEM.**

- Når du bruger blandingsfunktionen, skal frontdækslet (5) placeres på sin position.
  - Ved brug af hakkefunktion skal skålen (4) med sprøjtetæksel (3) placeres på deres position for at beskytte slutbrugeren mod rotation af røremaskinens redskabsbo med fjeder (18).
5. Sluk for enheden, og afbryd strømforsyningen, før du skifter tilbehør.

#### MONTERINGSVEJ: Mixer -funktion

Inden fødevareprocessoren samles, skal du sørge for, at netledningen er taget ud af stikkontakten, og at hastighedsknappen er i positionen "0".

1. Sæt skålen i motorenheden, og drej den derefter med uret, indtil du føler, at den ikke kan bevæge sig længere til venstre. Skålen er blokeret.
2. Vælg den korrekte tilknytning til den nødvendige drift:
  - Æggepisker (9) til piskning: æggeghvider, kagecremer, flødeskum osv.
  - Blandepisker (10) til blanding af lette blandinger: mayonnaise, pandekagedej, svampekage osv.
  - Dejkrog (11) til æltning af tung dej: brøddøj, gærdej osv.
3. Sæt det korrekte tilbehør (9 eller 10 eller 11) på boltene på blandemaskinens redskab med fjeder (18). Juster placeringen af to fremspringende metalelementer for at komme ind i konkave steder i blandemaskinens redskab med fjeder (18) - se billede A. Skub tilbehøret opad, indtil fjederen er helt komprimeret, drej helt med uret og slip - se på billede B.
4. Kom madredienser i skålen, og tryk vippeknappen (7) nedad for at lukke husarmen (1).
5. Tilslut enheden, og drej hastighedsknappen (8) for den nødvendige hastighed. Hastigheden 0 betyder, at motoren er standset,

hastigheden 1 betyder den laveste hastighed, hastigheden 6 betyder maksimal rotation. P - betyder pulsfunction, det betyder pulsrotation af gear, når knappen (8) holdes i pulsposition.

6. Efter brug skal apparatet slukkes ved at dreje hastighedsknappen (8) til position 0 og afbryde enheden.

7. Tryk vippeknappen (7) nedad for at løfte husarmen (1). Hvis den blandede blanding er korrekt, skal tilbehøret fjernes. For at fjerne tilbehøret skal du løfte det lidt for at komprimere fjederen fuldstændigt, derefter dreje hele venstre side på tilbehøret og trække det ned.

8. Drej skålen (4) mod uret, og fjern den fra motorhuset (2) ved at holde den med begge hænder. Husk skålen kan være tung.

#### MONTERINGSVEJ: Kværnfunktion

1. Sæt skålen (4) på motorhuset (2), og luk husarmen (1) ved at trykke på vippeknappen (7). Monter ikke tilbehør i skålen (4). Det er nødvendigt at beskytte dig mod at rotere blandemaskinens redskab med fjeder (18). Det er normalt, at røremaskinens redskabsbo med fjeder (18) roterer inde i skålen, når du bruger hakkemaskinen.

2. Fjern frontdækslet (5) for at sætte kværnen op.

3. Inden i hakkekammeret (17) placeres snekkegearet (15), derefter placeres hakkekrydsbladet (14) korrekt. Vær opmærksom på at placere den på den rigtige side, som vist på billede C. Derefter anbringes den korrekte sigte (13), og skruen MONTERING (12) LIGT for enden.

**BEMÆRK:** fastgørelsesmøtrikken (12) skal skrues LIGT FØR hele monteringsenheden samles til motorhuset (2). Det er nødvendigt at justere placeringen af det sekskantede hul (billede D1) i hakkemaskinen til den sekskantede aksel i motorhuset (2).

4. Anbring hakkemaskinen i den position, der er vist på billede D3 (hældningsposition), skub den inde i motorhuset (2) og drej til venstre til den lodrette position vist på billede D4. Den sorte runde knap tæt på hakkemaskinens enhed vender tilbage til udstående position. Skru låsemøtrikken (12) godt fast nu.

5. Monter hakkebakken (16) på toppen af hakkekammeret (17).

6. For at afmontere kødhakkerens enhed skal du trykke på den sorte runde knap i omvendt rækkefølge.

#### BRUG: Mixer -funktion

- Æltning af tung dej (brøddej, gærdej osv.)

Saml dejkrogen (11). Kom fødevaringredienserne i skålen. Foreslået mel og vandration er: 5: 3. Maksimal melmængde: 1500 g. Det anbefales at begynde at ælte med hastighed 1 eller 2 i ikke mere end 20 sekunder kontinuerlig drift. Indstil derefter hastigheden 3, og kør ikke længere end 4 minutter kontinuerligt ad gangen.

- Blanding af lette blandinger (mayonnaise, pandekagedej, svampeblanding osv.)

Saml blandemaskinen (10). Sæt madredienser i skålen til max ¾ høj af skålen. Tænd hastighed 3-4, og bland så længe du har brug for at opnå den ønskede densitet. Brug ikke mere end 4 minutter kontinuerligt ad gangen.

- Piskning (æggehvider, kagecremer, flødeskum osv.)

Saml æggepiskeren (9).

Til piskning af æggehvider: Sæt æggehvider i skålen til max 24 æg. Tænd for hastighed 4-6, og bland, cirka 5 minutter, til den er stiv.

Blandetid afhænger af æggets størrelse.

Til flødeskum: Kom mindst 250 ml frisk fløde (tidligere kølet i køleskab i mindst 8 timer) .. Bland det med hastighed 4 til 6 i cirka 5 minutter.

Overskrid ikke mængden af ½ høj i skålen med hældt frisk fløde for at holde nok plads til flødeskum.

#### BRUG: Kværnfunktion

1. Skær alle fødevarer i stykker (det anbefales at bruge oksekød eller svinekød uden sener, ben og fedt, cirka størrelse: (20 mm x 20 mm x 60 mm), så de let passer ind i hakkeslangen (17).

2. Tilslut enheden, tænd for den, og drej derefter hastighedskontrollen (8) til 4-6 hastigheder.
3. Foder mad i hakket bakke (16). Brug kun plasticskubber (6) til det.
4. Efter brug skal apparatet slukkes, og det skal tages ud af stikkontakten.
5. Brug ikke mere end 4 minutter kontinuerligt ad gangen.
6. Enheden er udstyret i 3 sigter med huller i diameter 3 mm, 5 mm og 7 mm, valgte passende hulplade til dit ønskede fad.
  - 3 mm sigte - fint maske til slibning til en ret kompakt, ensartet konsistens. Perfekt til fyld og paté.
  - 5 mm sil - medium mesh til formaling af kød til hakket koteletter, burgere, frikadeller og fyld til dumplings, pandekager og tortillas. Ved at bruge denne sil kan du også male grøntsager, hård ost og endda nødder.
  - 7 mm sil - tykt net til formaling af kød med en tydelig struktur. Silen er beregnet til fremstilling af pølser og ris.

## OVERVARME BESKYTTELSESENHED

Enheden slukker automatisk efter 15 minutters kontinuerlig drift for at beskytte motoren mod overophedning. Der er brug for at tilslutte enheden og lade den køle af inden næste brug. Enheden, når den er afkølet, fungerer normalt.

## RENGØRING OG VEDLIGEHOLDELSE

1. Inden rengøring af enheden skal du sørge for, at netledningen er taget ud af stikkontakten, og at hastighedskontrollen er i positionen "0". Lad enheden køle af inden rengøring.
2. Afmonter alt tilbehør fra motorhuset (2). Rengør ikke tilbehøret, mens det er monteret på maskindrevet.
3. Brug ikke aggressive rengøringsmidler til at rengøre motorhuset (2), da det kan fjerne de informative grafiske symboler såsom: skala, skilte, sikkerhedsmærker osv.
4. Vask ikke metaldelene i opvaskemaskiner. Aggressive rengøringsmidler, der bruges i opvaskemaskiner, får metaldelene til at blive sorte. Håndvask metaldele ved hjælp af traditionel opvaskemiddel. Brug en blød børste.
5. Tør de udvendige dele af med køkkenrulle eller en blød klud.
6. Brug ikke slibende materialer til at rengøre enheden.
7. Forbyd ikke motorhuset ( ) i vand eller andre væsker.

## TEKNISK DATA

Strømforsyning: 220-240V ~ 50/60Hz

Effekt: 1200W

Maks. Effekt: 2200W

Skål i rustfrit stål 7 liter

Max driftstid i en cyklus: 15 minutter.

Minimum hviletid mellem cyklusser: mindst 10 minutter.



Af hensyn til miljøet. Venligst overfør papemballage til affaldspapir. Hæld polyethylenposer (PE) i plastbeholderen. Slidt enhed skal returneres til det relevante punkt opbevaring, fordi det er farligt i enheden ingredienser kan udgøre en trussel for miljøet. Den elektriske enhed skal overleveres for at begrænse dets genanvendelse og brug. Hvis i enheden der er batterier, fjern dem og vende tilbage til punktet opbevares separat.

## ΕΛΛΑΔΑ

ΣΥΝΘΗΚΕΣ ΑΣΦΑΛΕΙΑΣ. ΣΗΜΑΝΤΙΚΕΣ ΟΔΗΓΙΕΣ ΓΙΑ ΤΗΝ ΑΣΦΑΛΕΙΑ ΤΗΣ ΧΡΗΣΗΣ  
ΠΑΡΑΚΑΛΩ ΔΙΑΒΑΣΤΕ ΠΡΟΣΕΚΤΙΚΑ ΚΑΙ ΚΡΑΤΗΣΤΕ ΓΙΑ ΜΕΛΛΟΝΤΙΚΗ ΑΝΑΦΟΡΑ

Οι όροι εγγύησης είναι διαφορετικοί, εάν η συσκευή χρησιμοποιείται για εμπορικούς σκοπούς.

1. Πριν χρησιμοποιήσετε το προϊόν, διαβάστε προσεκτικά και τηρείτε πάντα τις ακόλουθες

- οδηγίες. Ο κατασκευαστής δεν ευθύνεται για τυχόν ζημιές που οφείλονται σε κακή χρήση.
2. Το προϊόν πρέπει να χρησιμοποιείται μόνο σε εσωτερικούς χώρους. Μη χρησιμοποιείτε το προϊόν για οποιονδήποτε σκοπό που δεν είναι συμβατός με την εφαρμογή του.
  3. Η τάση της συσκευής είναι 220-240V, ~ 50/60Hz. Για λόγους ασφαλείας, δεν είναι σκόπιμο να συνδέσετε πολλές συσκευές σε μία πρίζα.
  4. Να είστε προσεκτικοί όταν χρησιμοποιείτε παιδιά. Μην αφήνετε τα παιδιά να παίζουν με το προϊόν. Μην αφήνετε παιδιά ή άτομα που δεν γνωρίζουν τη συσκευή να τη χρησιμοποιούν χωρίς επίβλεψη.
  5. ΠΡΟΕΙΔΟΠΟΙΗΣΗ: Αυτή η συσκευή μπορεί να χρησιμοποιηθεί από παιδιά άνω των 8 ετών και άτομα με μειωμένες σωματικές, αισθητηριακές ή διανοητικές ικανότητες ή άτομα χωρίς εμπειρία ή γνώση της συσκευής, μόνο υπό την επίβλεψη ατόμου υπεύθυνου για την ασφάλειά τους, ή εάν έχουν λάβει οδηγίες για την ασφαλή χρήση της συσκευής και γνωρίζουν τους κινδύνους που σχετίζονται με τη λειτουργία της. Τα παιδιά δεν πρέπει να παίζουν με τη συσκευή. Ο καθαρισμός και η συντήρηση της συσκευής δεν πρέπει να πραγματοποιούνται από παιδιά, εκτός εάν είναι άνω των 8 ετών και αυτές οι δραστηριότητες πραγματοποιούνται υπό επίβλεψη.
  6. Αφού τελειώσετε με τη χρήση του προϊόντος, θυμηθείτε να αφαιρείτε απαλά το φινιρίσμα από την πρίζα κρατώντας την πρίζα με το χέρι σας. Μην τραβάτε ποτέ το καλώδιο τροφοδοσίας !!!
  7. Ποτέ μην αφήνετε το προϊόν συνδεδεμένο στην πηγή τροφοδοσίας χωρίς επίβλεψη. Ακόμη και όταν διακοπεί η χρήση για μικρό χρονικό διάστημα, απενεργοποιήστε το από το δίκτυο, αποσυνδέστε το ρεύμα.
  8. Ποτέ μην βάζετε το καλώδιο τροφοδοσίας, το φινιρίσμα ή ολόκληρη τη συσκευή στο νερό. Ποτέ μην εκθέτετε το προϊόν σε ατμοσφαιρικές συνθήκες, όπως άμεσο ηλιακό φως ή βροχή κλπ. Ποτέ μην χρησιμοποιείτε το προϊόν σε υγρές συνθήκες.
  9. Ελέγχετε περιοδικά την κατάσταση του καλωδίου τροφοδοσίας. Εάν το καλώδιο τροφοδοσίας έχει υποστεί ζημιά, το προϊόν πρέπει να μετατραπεί σε επαγγελματικό κέντρο σέρβις για αντικατάσταση, προκειμένου να αποφευχθούν επικίνδυνες καταστάσεις.
  10. Ποτέ μην χρησιμοποιείτε το προϊόν με χαλασμένο καλώδιο τροφοδοσίας ή εάν έχει πέσει ή υποστεί ζημιά με οποιονδήποτε άλλο τρόπο ή εάν δεν λειτουργεί σωστά. Μην προσπαθήσετε να επισκευάσετε μόνοι σας το ελαττωματικό προϊόν γιατί μπορεί να οδηγήσει σε ηλεκτροπληξία. Πάντα να γυρίζετε τη χαλασμένη συσκευή σε επαγγελματική τοποθεσία σέρβις για να την επισκευάσετε. Όλες οι επισκευές μπορούν να γίνουν μόνο από εξουσιοδοτημένους επαγγελματίες σέρβις. Η επισκευή που έγινε λάθος μπορεί να προκαλέσει επικίνδυνες καταστάσεις για τον χρήστη.
  11. Ποτέ μην τοποθετείτε το προϊόν πάνω ή κοντά στις ζεστές ή ζεστές επιφάνειες ή στις συσκευές κουζίνας, όπως ο ηλεκτρικός φούρνος ή ο καυστήρας αερίου.
  12. Ποτέ μην χρησιμοποιείτε το προϊόν κοντά σε εύφλεκτα.
  13. Μην αφήνετε το καλώδιο να κρέμεται από την άκρη του πάγκου και μην αγγίζετε ζεστές επιφάνειες.
  14. Προκειμένου να παρέχεται πρόσθετη προστασία, συνιστάται η εγκατάσταση συσκευής υπολειμματικού ρεύματος (RCD) στο κύκλωμα ισχύος, με ονομαστική τάση υπολειπόμενου

ρεύματος όχι μεγαλύτερη από 30 mA. Επικοινωνήστε με έναν επαγγελματία ηλεκτρολόγο σε αυτό το θέμα.

15. Η συσκευή δεν προορίζεται για βιομηχανική επεξεργασία τροφίμων.

16. Μην βυθίζετε τη μονάδα κινητήρα σε νερό. Μην πλένετε στο πλυντήριο πιάτων. Μην εκθέτετε τη συσκευή και τα εξαρτήματά της σε υψηλές θερμοκρασίες (πάνω από 60 ° C).

17. Πριν από τον καθαρισμό και την αφαίρεση των εξαρτημάτων, ρυθμίστε τον έλεγχο ταχύτητας στη θέση "0" και αποσυνδέστε το καλώδιο τροφοδοσίας.

18. Πριν από τη λειτουργία της συσκευής ελέγξτε εάν όλα τα μέρη και τα παρελκόμενα είναι σωστά τοποθετημένα:

- πλανητικός επεξεργαστής τροφίμων: βεβαιωθείτε ότι το εξάρτημα έχει εισαχθεί πλήρως στην πρίζα, διαφορετικά μπορεί να επηρεαστεί το αποτέλεσμα της ανάμειξης.

- μύλος κρέατος: το συγκρότημα λείανσης πρέπει να συναρμολογηθεί προσεκτικά. Η ανακριβής συναρμολόγηση μπορεί να προκαλέσει κακή απόδοση λείανσης και αμβλεία μαχαιριού και πλάκας.

19. Χρησιμοποιείτε μόνο γνήσια αξεσουάρ που παρέχονται με το μύλο κρέατος και τον πλανητικό επεξεργαστή τροφίμων.

20. Μην υπερφορτώνετε τη συσκευή με περίσσεια προϊόντος και μην πιέζετε το προϊόν πολύ δυνατά. Χρησιμοποιήστε μόνο το ωστήριο για να σπρώξετε το προϊόν μέσα. Η χρήση άλλου αντικειμένου μπορεί να προκαλέσει ζημιά στον μύλο κρέατος.

22. Το κρέας που πρόκειται να αλεσθεί πρέπει να είναι απαλλαγμένο από οστά, γρίλια, τένοντες ή φλέβες. Κόψτε τα μεγαλύτερα κομμάτια σε κομμάτια.

23. Μην καλύπτετε τις οπές εξαερισμού στο περίβλημα ενώ η συσκευή είναι ενεργοποιημένη.

24. Μην αλέθετε τον ξηρό σπόρο παπαρούνας. Ο σπόρος παπαρούνας πρέπει να αχιστεί και να εμποτιστεί πριν από την άλεση.

25. Μην υπερβαίνετε το μισό  $\frac{3}{4}$  μπολ όταν γεμίζετε με συστατικά τροφίμων.

26. Φυλάσσετε τη συσκευή μακριά από παιδιά.

Περιγραφή προϊόντος: Πολυλειτουργικός πλανητικός επεξεργαστής τροφίμων Ad4221

- |                                |   |
|--------------------------------|---|
| 1. Βραχίονας κατοικίας         | 2. Περίβλημα κινητήρα                   |
| 3. Κάλυμμα κατά της εκτόξευσης | 4. Κύπελλο ανάμειξης 7,0 λίτρα          |
| 5. Μπροστινό κάλυμμα του κιμά  | 6. Πλαστικός προωθητής                  |
| 7. Κουμπί κλίσης               | 8. Κουμπί ελέγχου ταχύτητας             |
| 9. Χτυπάμε αυγό                | 10. Μίξη χτυπητήρι                      |
| 11. Γάντζος ζύμης              | 12. Παξιμάδι στερέωσης                  |
| 13. Κόσκινα 3, 5, 7mm          | 14. Σημαντική εγκάρσια λεπίδα           |
| 15. Εργαλείο σκουληκιών        | 16. Δίσκος αλέσματος                    |
| 17. Θάλαμος άλεσης             | 18. Φωλιά προσάρτησης μίξερ με ελατήριο |

ΠΡΙΝ ΤΗΝ ΠΡΩΤΗ ΧΡΗΣΗ

1. Όλα τα μέρη της συσκευής πρέπει να καθαριστούν καλά πριν χρησιμοποιηθούν για πρώτη φορά. Δείτε την ενότητα: «Καθαρισμός και

συντήρηση».

2. Στερεώστε τη συσκευή σε οριζόντια και επίπεδη επιφάνεια.

3. Ποτέ μην χειρίζεστε τη συσκευή χωρίς επίβλεψη.

4. Μην αγγίζετε κινούμενα μέρη με τα δάχτυλά σας. Αφήστε τα περιστρεφόμενα εξαρτήματα να σταματήσουν πριν ανοίξετε το μπολ.

**ΠΡΟΕΙΔΟΠΟΙΗΣΗ: ΜΗΝ ΧΡΗΣΙΜΟΠΟΙΕΙΤΕ ΛΕΙΤΟΥΡΓΙΕΣ ΜΙΞΗΣ ΚΑΙ ΑΛΥΣΙΜΟΥ ΤΑΥΤΟΧΡΟΝΑ !! ΧΡΗΣΙΜΟΠΟΙΗΣΤΕ ΜΟΝΟ ΕΝΑ ΑΠΟ ΑΥΤΑ.**

• Όταν χρησιμοποιείτε τη λειτουργία ανάμιξης, το μπροστινό κάλυμμα (5) πρέπει να βρίσκεται στη θέση του.

• Όταν χρησιμοποιείτε τη λειτουργία αλέσματος, το μπολ (4) με κάλυμμα κατά του ψεκασμού (3) πρέπει να βρίσκεται στη θέση του για να προστατεύει τον τελικό χρήστη από την περιστροφή της φωλιάς προσαρμογής του μίξερ με ελατήριο (18).

5. Απενεργοποιήστε τη συσκευή και αποσυνδεθείτε από την παροχή πριν αλλάξετε αξεσουάρ.

**ΤΡΟΠΟΣ ΣΥΝΑΡΜΟΛΟΓΗΣΗΣ: Λειτουργία μίξερ**

Πριν από τη συναρμολόγηση του επεξεργαστή τροφίμων, βεβαιωθείτε ότι το καλώδιο τροφοδοσίας έχει αποσυνδεθεί από την πρίζα και ότι το κουμπί ελέγχου ταχύτητας είναι στη θέση "0".

1. Τοποθετήστε το μπολ στη μονάδα κινητήρα και, στη συνέχεια, γυρίστε το δεξιόστροφα μέχρι να αισθανθείτε ότι δεν μπορεί να μετακινηθεί περισσότερο προς τα αριστερά. Το μπολ είναι μπλοκαρισμένο.

2. Επιλέξτε την κατάλληλη προσαρτητή στην απαιτούμενη λειτουργία:

- Αυγοδάρτη (9) για το χτύπημα: ασπράδια αυγών, κρέμες κέικ, σαντιγί κ.λπ.

- Χτυπητήρας ανάμιξης (10) για ανάμιξη ελαφρών μιγμάτων: μαγιονέζα, ζύμη για τηγανίτες, παντεσπάνι κ.λπ.

- Γάντζος ζύμης (11) για ζύμωμα βαριάς ζύμης: ζύμη ψωμιού, ζύμη μαγιάς κ.λπ.

3. Τοποθετήστε το κατάλληλο εξάρτημα (9 ή 10 ή 11) στο μπουλόνι της φωλιάς προσαρμογής του μίξερ με ελατήριο (18). Ρυθμίστε τη θέση δύο προεξέχοντων μεταλλικών στοιχείων για να μπουν μέσα σε κοίλα σημεία της φωλιάς προσαρμογής του μίξερ με ελατήριο (18) - κοιτάξτε την εικόνα Α. Σπρώξτε το εξάρτημα προς τα πάνω μέχρι να συμπίεστεί πλήρως το ελατήριο, γυρίστε πλήρως δεξιόστροφα και αφήστε το - κοιτάξτε την εικόνα Β Το

4. Βάλτε τα συστατικά τροφίμων στο μπολ και πιέστε το κουμπί κλίσης (7) προς τα κάτω για να κλείσετε το βραχίονα του περιβλήματος (1).

5. Συνδέστε τη συσκευή και περιστρέψτε το κουμπί ταχύτητας (8) για την απαιτούμενη ταχύτητα. Η ταχύτητα 0 σημαίνει ότι ο κινητήρας έχει σταματήσει, η ταχύτητα 1 σημαίνει τη χαμηλότερη ταχύτητα, η ταχύτητα 6 σημαίνει τη μέγιστη περιστροφή. Ρ - σημαίνει λειτουργία παλμού, σημαίνει περιστροφή παλμού των γραναζιών όταν το κουμπί (8) διατηρείται στη θέση παλμού.

6. Μετά τη χρήση, απενεργοποιήστε τη συσκευή περιστρέφοντας το κουμπί ταχύτητας (8) στη θέση 0 και απενεργοποιήστε τη συσκευή.

7. Πιέστε το κουμπί κλίσης (7) προς τα κάτω για να σηκώσετε τον βραχίονα του περιβλήματος (1). Εάν το μίγμα είναι σωστό, αφαιρέστε το εξάρτημα. Για να αφαιρέσετε το εξάρτημα, σηκώστε το λίγο για να συμπίεσετε τελείως το ελατήριο και, στη συνέχεια, στρίψτε αριστερά από ολόκληρο το εξάρτημα και τραβήξτε το προς τα κάτω.

8. Γυρίστε το μπολ (4) αριστερόστροφα και αφαιρέστε το από το περίβλημα του κινητήρα (2) κρατώντας το και με τα δύο χέρια.

Θυμηθείτε ότι το μπολ μπορεί να είναι βαρύ.

**ΤΡΟΠΟΣ ΣΥΝΑΡΜΟΛΟΓΗΣΗΣ: Λειτουργία μύλου**

1. Τοποθετήστε το μπολ (4) στο περίβλημα του κινητήρα (2) και κλείστε το βραχίονα του περιβλήματος (1) πιέζοντας το κουμπί κλίσης (7). Μην συναρμολογείτε εξαρτήματα μέσα στο μπολ (4). Πρέπει να σας προστατεύσει από την περιστροφή της φωλιάς προσαρμογής του μίξερ με ελατήριο (18). Είναι φυσιολογικό η φωλιά προσαρμογής του μίξερ με ελατήριο (18) να περιστρέφεται μέσα στο μπολ όταν χρησιμοποιείτε τον κιμά.

2. Αφαιρέστε το μπροστινό κάλυμμα (5) για να ρυθμίσετε το μύλο.



3. Μέσα στον θάλαμο κοπής (17) τοποθετήστε το γρανάζι σκουλήκι (15), στη συνέχεια τη σωστή λεπίδα κοπής (14). Προσέξτε να τοποθετήσετε τη σωστή πλευρά, όπως φαίνεται στην εικόνα C. Στη συνέχεια, τοποθετήστε το κατάλληλο κόσκινο (13) και βιδώστε ελαφρά το παξιμάδι στερέωσης (12) στο τέλος.

ΠΑΡΑΤΗΡΗΣΗ: Το παξιμάδι στερέωσης (12) πρέπει να βιδωθεί ΕΛΑΦΡΑ ΠΡΙΝ συναρμολογήσετε ολόκληρη τη μονάδα κοπής στο περίβλημα του κινητήρα (2). Πρέπει να προσαρμόσετε τη θέση της εξαγωνικής οπής (εικόνα D1) στη μονάδα κοπής στον εξαγωνικό άξονα στο περίβλημα του κινητήρα (2).

4. Τοποθετήστε τη μονάδα κοπής στη θέση που φαίνεται στην εικόνα D3 (θέση κλίσης), σπρώξτε την μέσα στο περίβλημα του κινητήρα (2) και στρίψτε αριστερά στην κατακόρυφη θέση που φαίνεται στην εικόνα D4. Το μαύρο στρογγυλό κουμπί κοντά στη μονάδα του κιμά θα επανέλθει στην προεξέχουσα θέση. Βιδώστε τώρα καλά το παξιμάδι στερέωσης (12).

5. Τοποθετήστε το δίσκο κοπής (16) στην κορυφή του θαλάμου κοπής (17).

6. Για να αποσυναρμολογήσετε τη μονάδα του μηχανήματος κοπής, πατήστε το μαύρο κουμπί με την αντίστροφη σειρά.

#### ΧΡΗΣΗ: Λειτουργία μίξερ

• Ζύμωση βαριάς ζύμης (ζύμη ψωμιού, ζύμη μαγιάς κ.λπ.)

Συναρμολογήστε το γάντζο ζύμης (11). Βάλτε τα συστατικά τροφίμων μέσα στο μπολ. Το προτεινόμενο σπιρτέσιο αλευριού και νερού είναι: 5: 3. Μέγιστη ποσότητα αλευριού: 1500γρ. Συνιστάται να ξεκινάτε το ζύμωμα με ταχύτητα 1 ή 2 για περισσότερο από 20 δευτερόλεπτα συνεχόμενης λειτουργίας. Στη συνέχεια, ρυθμίστε την ταχύτητα 3 και λειτουργήστε όχι περισσότερο από 4 λεπτά συνεχόμενα τη φορά.

• Ανάμιξη ελαφρών μιγμάτων (μαγιονέζα, ζύμη για τηγανίτες, παντεσπάνι κ.λπ.)

Συναρμολογήστε τον αναδευτήρα (10). Βάλτε τα συστατικά τροφίμων μέσα στο μπολ στο μέγιστο  $\frac{3}{4}$  του μπολ. Ενεργοποιήστε την ταχύτητα 3-4 και ανακατέψτε όσο χρειάζεται για να επιτύχετε την επιθυμητή πυκνότητα. Χρησιμοποιήστε όχι περισσότερο από 4 λεπτά συνεχώς τη φορά.

• Χτύπημα (ασπράδια αυγών, κρέμες κέικ, σαντιγί κ.λπ.)

Συναρμολογήστε το σύρμα αυγών (9).

Για το χτύπημα των ασπρών αυγών: Βάλτε τα ασπράδια μέσα στο μπολ έως 24 αυγά το πολύ. Ενεργοποιήστε την ταχύτητα 4-6 και ανακατέψτε, περίπου 5 λεπτά μέχρι να σφίξει. Ο χρόνος ανάμιξης εξαρτάται από το μέγεθος των αυγών.

Για σαντιγί: βάλτε τουλάχιστον 250 ml φρέσκιας κρέμας (προηγούμενης διατηρημένη στο ψυγείο για τουλάχιστον 8 ώρες) .. Ανακατέψτε την με ταχύτητα 4 έως 6 για περίπου 5 λεπτά. Μην υπερβείτε την ποσότητα του  $\frac{1}{2}$  υψιλού του μπολ με τη φρέσκια κρέμα για να διατηρήσετε αρκετό χώρο για σαντιγί.

#### ΧΡΗΣΗ: Λειτουργία μύλου

1. Κόψτε όλα τα τρόφιμα σε κομμάτια (συνιστάται βοδινό ή χοιρινό κρέας χωρίς κόκκους, χωρίς κόκκαλα και χωρίς λίπος, περίπου μεγέθους: (20 mm x 20 mm x 60 mm)), έτσι ώστε να ταιριάζουν εύκολα στον σωλήνα άλεσης (17).

2. Συνδέστε τη συσκευή και ενεργοποιήστε και, στη συνέχεια, γυρίστε το κουμπί έλεγχου ταχύτητας (8) σε 4-6 ταχύτητες.

3. Τροφοδοτήστε τρόφιμα στο δίσκο κοπής (16). Χρησιμοποιήστε για αυτό μόνο τον πλαστικό προωθητή (6).

4. Μετά τη χρήση, απενεργοποιήστε τη συσκευή και αποσυνδέστε την από το τροφοδοτικό.

5. Χρησιμοποιήστε όχι περισσότερο από 4 λεπτά συνεχώς τη φορά.

6. Η συσκευή είναι εξοπλισμένη με 3 κόσκινα με οπές διαμέτρου 3mm, 5mm και 7mm, επέλεξε την κατάλληλη πλάκα τρύπας στο επιθυμητό πιάτο.

- κόσκινο 3 mm - λεπτό πλέγμα για λείανση σε αρκετά συμπαγή, ομοιόμορφη συνοχή. Ιδανικό για γέμιση και πατέ.

- Σουρωτήρι 5 mm - μεσαίο πλέγμα για την άλεση κρέατος για κιμάδες, μπιφτέκια, κεφτεδάκια και γέμιση για ζυμαρικά, τηγανίτες και τортίνιες. Χρησιμοποιώντας αυτό το φίλτρο μπορείτε επίσης να αλέσετε λαχανικά, σκληρό τυρί και ακόμη και ξηρούς καρπούς.

- Σουρωτήρι 7 mm - χοντρό πλέγμα για την άλεση κρέατος με ξεχωριστή δομή. Το φίλτρο προορίζεται για την παραγωγή λουκάνικων και τσιμπημάτων.

## ΣΥΣΚΕΥΗ ΠΡΟΣΤΑΣΙΑΣ ΥΠΕΡΘΕΡΜΑΝΣΗΣ

Η συσκευή θα απενεργοποιηθεί αυτόματα μετά από 15 λεπτά συνεχούς λειτουργίας για να προστατεύσει τον κινητήρα από υπερθέρμανση. Πρέπει να απενεργοποιήσετε τη συσκευή και να την αφήσετε να κρυώσει πριν από την επόμενη χρήση. Η συσκευή όταν κρυώσει θα λειτουργήσει κανονικά.

## ΚΑΘΑΡΙΣΜΟΣ ΚΑΙ ΣΥΝΤΗΡΗΣΗ

1. Πριν καθαρίσετε τη συσκευή, βεβαιωθείτε ότι το καλώδιο τροφοδοσίας είναι αποσυνδεδεμένο από την πρίζα και ότι το κουμπί ελέγχου ταχύτητας βρίσκεται στη θέση "0". Αφήστε τη συσκευή να κρυώσει πριν τον καθαρίσετε.
2. Αποσυναρμολογήστε όλα τα εξαρτήματα από το περίβλημα του κινητήρα (2). Μην καθαρίζετε τα εξαρτήματα ενώ είναι τοποθετημένα στο συγκρότημα μετάδοσης κίνησης του μηχανήματος.
3. Μην χρησιμοποιείτε επιθετικά απορρυπαντικά για τον καθαρισμό του περιβλήματος του κινητήρα (2), καθώς μπορεί να αφαιρέσετε τα ενημερωτικά γραφικά σύμβολα όπως: κλίμακα, πινακίδες, σήματα ασφαλείας κ.λπ.
4. Μην πλένετε τα μεταλλικά μέρη στο πλυντήριο πιάτων. Τα επιθετικά καθαριστικά που χρησιμοποιούνται στα πλυντήρια πιάτων κάνουν τα μεταλλικά μέρη να μαυρίζουν. Πλύνετε τα μεταλλικά μέρη με το χέρι χρησιμοποιώντας παραδοσιακό υγρό πλυσίματος. Χρησιμοποιήστε μαλακή βούρτσα.
5. Σκουπίστε τα εξωτερικά μέρη με πετσέτα κουζίνας ή μαλακό πανί.
6. Μην χρησιμοποιείτε λειαντικά υλικά για τον καθαρισμό της συσκευής.
7. Μην βυθίζετε το περίβλημα του κινητήρα ( ) σε νερό ή άλλα υγρά.

## ΤΕΧΝΙΚΑ ΔΕΔΟΜΕΝΑ

Τροφοδοσία: 220-240V ~ 50/60Hz

Ισχύς: 1200W

Μέγιστη ισχύς: 2200W

Μπολ από ανοξείδωτο ασάλι 7 λίτρα

Μέγιστος χρόνος λειτουργίας σε έναν κύκλο: 15 λεπτά.

Ελάχιστος χρόνος ανάπαυσης μεταξύ κύκλων: 10 λεπτά τουλάχιστον



φροντίζουμε το φυσικό περιβάλλον. Παρακαλούμε να πετάτε τις συσκευασίες από χαρτόνι στον κάδο ανακύκλωσης απορριμμάτων χαρτιού. Τις σακούλες από πολυαιθυλένιο (PE), απορρίψτε τις στον κάδο ανακύκλωσης πλαστικών. Η φθαρμένη συσκευή πρέπει να απορρίπτεται στο κατάλληλο σημείο, εξαιτίας των επικίνδυνων στοιχείων που περιέχει και τα οποία μπορεί να αποτελέσουν απειλή για το περιβάλλον. Η ηλεκτρική συσκευή πρέπει να απορρίπτεται με τέτοιο τρόπο ώστε να περιοριστεί η επαναχρησιμοποίησή της. Εάν στη συσκευή βρίσκονται μπαταρίες, αυτές πρέπει να αφαιρεθούν και να πεταχτούν σε ξεχωριστό κάδο.

(HR) HRVATSKI

## SIGURNOSNI UVJETI. VAŽNE UPUTE O SIGURNOSTI KORIŠTENJA PAŽLJIVO PROČITAJTE I ČUVAJTE ZA BUDUĆU REFERENCJU

Jamstveni uvjeti su različiti ako se uređaj koristi u komercijalne svrhe.

1. Prije uporabe proizvoda pažljivo pročitajte i uvijek se pridržavajte sljedećih uputa. Proizvođač nije odgovoran za bilo kakvu štetu nastalu zbog zlouporabe.
2. Proizvod se smije koristiti samo u zatvorenim prostorima. Nemojte koristiti proizvod u bilo koju svrhu koja nije kompatibilna s njegovom primjenom.
3. Napon uređaja je 220-240V, ~ 50/60Hz. Iz sigurnosnih razloga nije prikladno spajati više

uređaja u jednu utičnicu.

4. Budite oprezni pri uporabi s djecom. Ne dopustite djeci da se igraju s proizvodom. Ne dopustite djeci ili osobama koje ne poznaju uređaj da ga koriste bez nadzora.

5. **UPOZORENJE:** Ovaj uređaj smiju koristiti djeca starija od 8 godina i osobe sa smanjenim fizičkim, osjetilnim ili mentalnim sposobnostima, ili osobe bez iskustva ili znanja o uređaju, samo pod nadzorom osobe odgovorne za njihovu sigurnost, ili ako su dobili upute o sigurnoj uporabi uređaja i svjesni su opasnosti povezanih s njegovim radom. Djeca se ne smiju igrati s uređajem. Čišćenje i održavanje uređaja ne smiju provoditi djeca, osim ako su starija od 8 godina i ako se te aktivnosti provode pod nadzorom.

6. Nakon što završite s upotrebom proizvoda, uvijek ne zaboravite pažljivo izvući utikač iz utičnice držeći utičnicu rukom. Nikada ne vucite kabel za napajanje !!!

7. Nikada ne ostavljajte proizvod spojen na izvor napajanja bez nadzora. Čak i kad je uporaba na kratko prekinuta, isključite je iz mreže, isključite napajanje.

8. Nikada nemojte stavljati kabel za napajanje, utikač ili cijeli uređaj u vodu. Nikada ne izlažite proizvod atmosferskim uvjetima, poput izravnog sunčevog svjetla, kiše itd. Nikada nemojte koristiti proizvod u vlažnim uvjetima.

9. Povremeno provjeravajte stanje kabela za napajanje. Ako je kabel za napajanje oštećen, proizvod treba okrenuti na mjesto profesionalnog servisa kako bi se izbjegle opasne situacije.

10. Nikada nemojte koristiti proizvod s oštećenim kabelom za napajanje, ako je ispušten ili oštećen na neki drugi način ili ako ne radi ispravno. Ne pokušavajte sami popraviti neispravni proizvod jer to može dovesti do strujnog udara. Oštećeni uređaj uvijek okrenite na mjesto profesionalnog servisa kako biste ga popravili. Sve popravke mogu izvesti samo ovlašteni serviseri. Popravak koji je učinjen pogrešno može izazvati opasne situacije za korisnika.

11. Nikada ne stavljajte proizvod na ili blizu vrućih ili toplih površina ili kuhinjskih aparata, poput električne pećnice ili plinskog plamenika.

12. Nikada ne koristite proizvod u blizini zapaljivih tvari.

13. Ne dopustite da kabel visi preko ruba pulta ili dodirujete vruće površine.

14. Kako bi se osigurala dodatna zaštita, preporučuje se u strujni krug ugraditi uređaj za zaštitu od strujnog udara (RCD), s nominalnom strujom ne većom od 30 mA. Po tom pitanju kontaktirajte profesionalnog električara.

15. Uređaj nije namijenjen industrijskoj preradi hrane.

16. Nemojte uranjati jedinicu motora u vodu. Ne perite u perilicama posuđa. Ne izlažite uređaj i njegovu dodatnu opremu visokim temperaturama (iznad 60 ° C).

17. Prije čišćenja i uklanjanja pribora postavite kontrolu brzine u položaj "0" i odspojite kabel za napajanje.

18. Prije uporabe uređaja provjerite jesu li svi dijelovi i pribor pravilno montirani:

- planetarni procesor hrane: provjerite je li nastavak potpuno umetnut u utičnicu jer u protivnom može utjecati na rezultat miješanja.

- mlin za meso: sklop za mljevenje potrebno je pažljivo sastaviti. Netočan sklop može

uzrokovati loše brušenje i otupljivanje noža i rupe.

19. Koristite samo originalni pribor isporučen s mlinom za meso i planetarnim obrađivačem hrane.

20. Ne preopterećujte uređaj viškom proizvoda niti ga previše gurajte. Za uguravanje proizvoda koristite samo potiskivač. Upotrebom drugih predmeta možete oštetiti mlin za meso.

22. Meso za mljevenje ne smije imati kosti, gnjide, tetive ili vene. Veće dijelove narežite na komade.

23. Ne prekrivajte ventilacijske otvore u kućištu dok je uređaj uključen.

24. Ne meljite suhi mak. Mak je potrebno prije mljevenja popariti i namočiti.

25. Ne prelazite  $\frac{3}{4}$  zdjele visoko kad se napune sastojcima hrane.

26. Čuvajte uređaj izvan dohvata djece.

Opis proizvoda: Višenamjenski planetarni procesor hrane AD221

- |                             |  |
|-----------------------------|--|
| 1. Ruka kućišta             | 2. Kućište motora                                  |
| 3. Poklopac protiv prskanja | 4. Posuda za miješanje 7,0 litara                  |
| 5. Prednji poklopac mlince  | 6. Plastični potiskivač                            |
| 7. Gumb za nagib            | 8. Gumb za kontrolu brzine                         |
| 9. pjenjača za jaja         | 10. miješalica za miješanje                        |
| 11. Kuka za tijesto         | 12. Matica za pričvršćivanje                       |
| 13. Sita 3, 5, 7mm          | 14. Usječno križno sječivo                         |
| 15. Crveni zupčanik         | 16. Ladica za usitnjavanje                         |
| 17. Komora za usitnjavanje  | 18. Miješalica za pričvršćivanje miksera s oprugom |

#### PRIJE PRVE UPORABE

1. Svi dijelovi uređaja moraju se temeljito očistiti prije prve upotrebe. Vidi odjeljak: "Čišćenje i održavanje".

2. Uređaj postavite na vodoravnu i ravnu površinu.

3. Nikada ne radite s uređajem bez nadzora.

4. Ne dodirujte pokretne dijelove prstima. Ostavite rotirajući pribor da se zaustavi prije nego otvorite zdjelu.

**UPOZORENJE: NE KORISTITE FUNKCIJE ZA MJESANJE I MJECENJE ISTO VRIJEME !! KORISTITE SAMO JEDNU OD NJIH.**

• Kada koristite funkciju miješanja, prednji poklopac (5) treba biti postavljen na svom mjestu.

• Prilikom uporabe funkcije usitnjavanja zdjelu (4) s poklopcem protiv prskanja (3) treba postaviti na njihovu poziciju kako bi zaštitili krajnjeg korisnika od okretanja gnijezda za pričvršćivanje miješalice s oprugom (18).

5. Prije zamjene pribora isključite uređaj i isključite ga iz napajanja.

#### NAČIN MONTAŽE: Funkcija miksera

Prije sastavljanja kuhala za kuhanje, provjerite je li kabel za napajanje izvučen iz utičnice i je li gumb za kontrolu brzine u položaju "0".

1. Stavite zdjelu u jedinicu motora, a zatim je okrećite u smjeru kazaljke na satu sve dok ne osjetite da se više ne može pomaknuti ulijevo. Posuda je blokirana.

2. Odaberite odgovarajući priključak na potreban rad:

- pjenjačom (9) za šlag: bjelanjke, kreme za kolače, šlag itd.

- Miješalica (10) za miješanje lakih smjesa: majoneze, tijesta za palačinke, biskvita itd.

- Kuka za tijesto (11) za miješenje teškog tijesta: tijesta za kruh, tijesta od kvasca itd.

3. Stavite odgovarajući nastavak (9 ili 10 ili 11) na vijak gnijezda za pričvršćivanje miješalice s oprugom (18). Podesite položaj dva metalna elementa koji strše kako bi ušli u konkavna mjesta gnijezda za pričvršćivanje miješalice s oprugom (18) - pogledajte sliku A. Gurnite nastavak prema gore dok se opruga ne stisne do kraja, okrenite do kraja u smjeru kazaljke na satu i otpustite - pogledajte sliku B .

4. Stavite sastojke hrane u zdjelu i pritisnite gumb za naginjanje (7) prema dolje da zatvorite držač kućišta (1).

5. Priključite uređaj i okrenite gumb za brzinu (8) za potrebnu brzinu. Brzina 0 znači zaustavljeni motor, brzina 1 znači najmanju brzinu, brzina 6 znači najveću rotaciju. P - znači impulsni način rada, znači impulsno rotiranje zupčanika kada se gumb (8) drži u položaju impulsa.

6. Nakon uporabe isključite uređaj okretanjem gumba za brzinu (8) u položaj 0 i isključite uređaj.

7. Pritisnite gumb za nagib (7) prema dolje kako biste podigli držač kućišta (1). Ako je miješana smjesa ispravna, uklonite nastavak. Da biste odvojili nastavak, malo ga podignite kako biste potpuno stisnuli oprugu, zatim okrenite lijevi bočni dio cijelog nastavka i povucite ga prema dolje.

8. Okrenite zdjelu (4) u smjeru suprotnom od kazaljke na satu i uklonite je iz kućišta motora (2) držeći je objema rukama. Zapamtite da zdjela može biti teška.

#### NAČIN MONTAŽE: Funkcija brusilice

1. Posudu (4) postavite na kućište motora (2) i zatvorite polugu kućišta (1) pritiskom na gumb za nagib (7). Ne sastavljajte nikakve dodatke unutar zdjele (4). Potrebno vas je zaštititi od okretanja gnijezda za pričvršćivanje miješalice s oprugom (18). Normalno je da se gnijezdo za pričvršćivanje miješalice s oprugom (18) okreće unutar zdjele tijekom korištenja sjeckalice.

2. Uklonite prednji poklopac (5) za postavljanje brusilice.

3. Unutar komore za usitnjavanje (17) postavite pužni zupčanik (15), a zatim postavite križno sječivo za usitnjavanje (14) ispravno. Pazite da postavite ispravnu stranu, kao što je prikazano na slici C. Zatim postavite odgovarajuće sito (13) i LAGANO navrnite pričvrсну maticu (12) na kraju.

NAPOMENA: pričvrсну maticu (12) potrebno je lagano zavrtiti PRIJE sastavljanja cijele jedinice za usitnjavanje na kućište motora (2). Potrebno je položaj šesterokutne rupe (slika D1) u jedinici za usitnjavanje prilagoditi šesterokutnoj osovinu u kućištu motora (2).

4. Postavite aparat za mljevenje u položaj prikazan na slici D3 (položaj nagiba), gurnite ga unutar kućišta motora (2) i okrenite lijevo u okomiti položaj prikazan na slici D4. Crni okrugli gumb u blizini jedinice za mljevenje sjeckalice vratit će se u položaj za izbočenje. Sada čvrsto pričvrstite pričvrсну maticu (12).

5. Montirajte ladicu za usitnjavanje (16) na vrh komore za usitnjavanje (17).

6. Za demontažu jedinice za mljevenje pritisnite crni okrugli gumb u obrnutom redosljedu.

#### UPOTREBA: Funkcija miksera

• Mjesenje teškog tijesta (tijesto za kruh, tijesto od kvasca itd.)

Sastavite kuku za tijesto (11). U posudu stavite sastojke hrane. Preporučeni omjer brašna i vode je: 5: 3. Maksimalna količina brašna:

1500g. Preporuča se neprestano gnječenje započeti brzinom 1 ili 2 ne dulje od 20 sekundi. Zatim postavite brzinu 3 i radite ne dulje od 4 minute neprekidno.

• Miješanje lakih smjesa (majoneza, tijesto za palačinke, biskvit itd.)

Sastavite miješalicu za miješanje (10). Sastojke za hranu stavite u zdjelu do najviše  $\frac{3}{4}$  visine zdjele. Uključite brzinu 3-4 i miješajte koliko god je potrebno da se postigne željena gustoća. Ne koristite neprekidno duže od 4 minute.

• Šlag (bjelanjke, kreme za kolače, šlag itd.)

Sastavite pjenjaču (9).

Za tučenje bjelanjaka: Bjelanjke stavite u zdjelu na najviše 24 jaja. Uključite brzinu 4-6 i miješajte, oko 5 minuta dok se ne stegne. Vrijeme

miješanja ovisi o veličini jaja.

Za šlag: stavite najmanje 250 ml svježeg vrhnja (prethodno ohlađenog u hladnjaku najmanje 8 sati) .. Miješajte na brzini 4 do 6 oko 5 minuta. Nemojte prekoračiti količinu ½ visine zdjele izlijenog svježeg vrhnja kako biste imali dovoljno mjesta za šlag.

#### UPOTREBA: Funkcija brusilice

1. Narežite svu hranu na komade (preporučuje se govedina ili svinjetina bez žila, kostiju i masti, otprilike veličine: (20 mm x 20 mm x 60 mm,) tako da se lako uklapaju u cijev za mljevenje (17).
2. Priključite uređaj i uključite ga, a zatim okrenite gumb za kontrolu brzine (8) na 4-6 brzinu.
3. Umetnite hranu u ladicu za usitnjavanje (16). Za to koristite samo plastični potiskivač (6).
4. Nakon uporabe isključite uređaj i iskopčajte ga iz napajanja.
5. Ne koristite neprekidno dulje od 4 minute.
6. Uređaj je opremljen s 3 sita s rupama promjera 3 mm, 5 mm i 7 mm, odabrao je odgovarajuću ploču s rupama prema željenoj posudi.
  - sito od 3 mm - fina mreža za brušenje do prilično kompaktne, jednolike konzistencije. Savršeno za nadjev i paštetu.
  - Cjedilo 5 mm - srednja mreža za mljevenje mesa za mljevene kotlete, hamburgere, polpete i nadjeve za okruglice, palačinke i tortilje. Pomoću ovog cjedila možete samljati i povrće, tvrdi sir, pa čak i orahe.
  - Cjedilo 7 mm - gusta mreža za mljevenje mesa izrazite strukture. Cjedilo je namijenjeno za proizvodnju kobasica i drobnjaka.

#### UREĐAJ ZA ZAŠTITU OD PREGRIJA

Uređaj će se automatski isključiti nakon 15 minuta neprekidnog rada kako bi zaštitio motor od pregrijavanja. Prije sljedeće uporabe uređaj morate isključiti i ostaviti da se ohladi. Uređaj će se ohladiti normalno radići.

#### ČIŠĆENJE I ODRŽAVANJE

1. Prije čišćenja uređaja, provjerite je li kabel za napajanje izvučen iz utičnice i je li gumb za kontrolu brzine u položaju "0". Prije čišćenja pustite da se uređaj ohladi.
2. Rastavite sav pribor iz kućišta motora (2). Nemojte čistiti pribor dok je montiran na pogonski sklop stroja.
3. Nemojte čistiti kućište motora (2) agresivnim deterdžentima jer mogu ukloniti informativne grafičke simbole poput: vage, znakova, sigurnosnih oznaka itd.
4. Ne perite metalne dijelove u perilicama posuđa. Agresivna sredstva za čišćenje koja se koriste u perilicama posuđa uzrokuju da metalni dijelovi pocrne. Operite ručno metalne dijelove tradicionalnom tekućinom za pranje posuđa. Koristite meku četku.
5. Obrišite vanjske dijelove kuhinjskom krpom ili mekom krpom.
6. Nemojte čistiti uređaj abrazivnim materijalima.
7. Ne uranjajte kućište motora ( ) u vodu ili druge tekućine.

#### TEHNIČKI PODACI

Napajanje: 220-240V ~ 50/60Hz

Snaga: 1200W

Maksimalna snaga: 2200W

Posuda od nehrđajućeg čelika 7 litara

Maksimalno vrijeme rada u jednom ciklusu: 15 minuta.

Minimalno vrijeme odmora između ciklusa: najmanje 10 minuta



Vodimo brigu o prirodnom okolišu. Kartonsku ambalažu molimo prenijeti na otpadni papir. Polietilen (PE) vreće bacati u kontejner za plastiku. Istrošena oprema treba biti premještena na prikladno mjesto za pohranu, jer sadrže u uređaju opasne tvari mogu predstavljati opasnost za okoliš. Električni uređaj mora biti predat u takvom stanju da se smanji mogućnost njegove ponovne upotrebe. Ako vaš uređaj ima baterije, treba njih ukloniti i predati na mjesto za pohranu odvojeno.

## ITALIANO

### CONDIZIONI DI SICUREZZA. ISTRUZIONI IMPORTANTI SULLA SICUREZZA D'USO SI PREGA DI LEGGERE ATTENTAMENTE E CONSERVARE PER FUTURO RIFERIMENTO

Le condizioni di garanzia sono diverse se il dispositivo viene utilizzato per scopi commerciali.

1. Prima di utilizzare il prodotto leggere attentamente e rispettare sempre le seguenti istruzioni. Il produttore non è responsabile per eventuali danni dovuti a un uso improprio.
2. Il prodotto deve essere utilizzato solo in ambienti interni. Non utilizzare il prodotto per scopi non compatibili con la sua applicazione.
3. La tensione del dispositivo è 220-240V, ~50/60Hz. Per motivi di sicurezza non è opportuno collegare più dispositivi a una presa di corrente.
4. Si prega di fare attenzione quando si utilizza intorno ai bambini. Non lasciare che i bambini giochino con il prodotto. Non consentire a bambini o persone che non conoscono il dispositivo di utilizzarlo senza supervisione.
5. **AVVERTENZA:** questo dispositivo può essere utilizzato da bambini di età superiore a 8 anni e persone con ridotte capacità fisiche, sensoriali o mentali, o persone senza esperienza o conoscenza del dispositivo, solo sotto la supervisione di una persona responsabile della loro sicurezza, o se sono stati istruiti sull'uso sicuro del dispositivo e sono consapevoli dei pericoli associati al suo funzionamento. I bambini non devono giocare con il dispositivo. La pulizia e la manutenzione del dispositivo non devono essere eseguite da bambini, a meno che non abbiano più di 8 anni e queste attività siano svolte sotto supervisione.
6. Dopo aver finito di utilizzare il prodotto, ricordarsi sempre di rimuovere delicatamente la spina dalla presa di corrente tenendola con la mano. Non tirare mai il cavo di alimentazione!!!
7. Non lasciare mai il prodotto collegato alla fonte di alimentazione senza supervisione. Anche quando l'utilizzo viene interrotto per breve tempo, spegnerlo dalla rete, scollegare l'alimentazione.
8. Non immergere mai in acqua il cavo di alimentazione, la spina o l'intero dispositivo. Non esporre mai il prodotto alle condizioni atmosferiche come luce solare diretta o pioggia, ecc. Non utilizzare mai il prodotto in condizioni di umidità.
9. Controllare periodicamente le condizioni del cavo di alimentazione. Se il cavo di alimentazione è danneggiato, il prodotto deve essere consegnato a un centro di assistenza professionale per la sostituzione al fine di evitare situazioni pericolose.
10. Non utilizzare mai il prodotto con un cavo di alimentazione danneggiato o se è caduto o è stato danneggiato in altro modo o se non funziona correttamente. Non tentare di riparare da soli il prodotto difettoso perché può provocare scosse elettriche. Portare sempre il

dispositivo danneggiato in un centro di assistenza professionale per ripararlo. Tutte le riparazioni possono essere eseguite solo da professionisti dell'assistenza autorizzati. La riparazione eseguita in modo errato può causare situazioni pericolose per l'utente.

11. Non posizionare mai il prodotto sopra o vicino a superfici calde o calde o ad elettrodomestici da cucina come il forno elettrico o il fornello a gas.
12. Non utilizzare mai il prodotto vicino a combustibili.
13. Non lasciare che il cavo penda dal bordo del bancone o tocchi superfici calde.
14. Per fornire una protezione aggiuntiva, si consiglia di installare un dispositivo di corrente residua (RCD) nel circuito di alimentazione, con una corrente residua nominale non superiore a 30 mA. Contattare un elettricista professionista in questa materia.
15. Il dispositivo non è destinato alla lavorazione industriale degli alimenti.
16. Non immergere l'unità motore in acqua. Non lavare in lavastoviglie. Non esporre il dispositivo e i suoi accessori a temperature elevate (superiori a 60°C).
17. Prima di pulire e rimuovere gli accessori, impostare il controllo della velocità in posizione "0" e scollegare il cavo di alimentazione.
18. Prima di utilizzare il dispositivo, verificare che tutte le parti e gli accessori siano montati correttamente:
  - robot da cucina planetario: assicurati che l'accessorio sia completamente inserito nella presa, altrimenti il risultato della miscelazione potrebbe essere compromesso.
  - tritacarne: il gruppo macinatore deve essere accuratamente assemblato. Un montaggio impreciso può causare scarse prestazioni di molatura e smussamento della lama e della piastra del foro.
19. Utilizzare solo gli accessori originali forniti con il tritacarne e la planetaria.
20. Non sovraccaricare il dispositivo con prodotto in eccesso o spingendolo con troppa forza. Utilizzare solo lo spintore per infilare il prodotto. L'uso di altri oggetti può danneggiare il tritacarne.
22. La carne da macinare deve essere priva di ossa, cartilagini, tendini o vene. Tagliare a pezzi le parti più grandi.
23. Non coprire i fori di ventilazione nell'alloggiamento mentre il dispositivo è acceso.
24. Non macinare i semi di papavero secchi. I semi di papavero devono essere cotti a vapore e ammorlati prima di macinarli.
25. Non superare  $\frac{3}{4}$  ciotola di altezza quando si riempie con gli ingredienti alimentari.
26. Conservare il dispositivo fuori dalla portata dei bambini.

Descrizione prodotto: Robot da cucina planetario multifunzione Ad4221

- |                                       |   |
|---------------------------------------|---|
| 1. Braccio dell'alloggiamento         | 2. Alloggiamento del motore             |
| 3. Coperchio antispruzzo              | 4. Ciotola di miscelazione 7,0 litri    |
| 5. Coperchio anteriore del tritacarne | 6. Spingitore in plastica               |
| 7. Manopola di inclinazione           | 8. Manopola di controllo della velocità |
| 9. Frusta per le uova                 | 10. Frusta per mescolare                |
| 11. Gancio per impastare              | 12. Dado di fissaggio                   |
| 13. Setacci 3, 5,7 mm                 | 14. Lama a croce per tritare            |



15. Ingranaggio a vite senza fine

16. Vassoio per tritare

17. Camera di macinazione

18. Nido di attacco del mescolatore con molla

## PRIMA DEL PRIMO UTILIZZO

1. Tutte le parti del dispositivo devono essere accuratamente pulite prima di essere utilizzate per la prima volta. Vedere la sezione: "Pulizia e manutenzione".
2. Collocare il dispositivo su una superficie orizzontale e piana.
3. Non utilizzare mai il dispositivo senza la supervisione.
4. Non toccare le parti in movimento con le dita. Lasciare che gli accessori rotanti si fermino prima di aprire la ciotola.

ATTENZIONE: NON UTILIZZARE CONTEMPORANEAMENTE LE FUNZIONI DI MISCELAZIONE E TRITATURA!! USA SOLO UNO DI LORO.

- Quando si utilizza la funzione di miscelazione, il coperchio anteriore (5) deve essere posizionato nella sua posizione.
  - Quando si utilizza la funzione tritacarne, la ciotola (4) con coperchio antispruzzo (3) deve essere posizionata nella loro posizione per proteggere l'utente finale dalla rotazione del nido di attacco del mixer con la molla (18).
5. Spegnerne il dispositivo e scollegare l'alimentazione prima di cambiare gli accessori.

## MODALITÀ DI MONTAGGIO: funzione Mixer

Prima di assemblare il robot da cucina, assicurarsi che il cavo di alimentazione sia scollegato dalla presa di corrente e che la manopola di controllo della velocità sia in posizione "0".

1. Posizionare la ciotola nell'unità motore, quindi ruotarla in senso orario finché non si sente che non può più spostarsi a sinistra. La ciotola è bloccata.
2. Scegli l'allegato corretto per l'operazione richiesta:
  - Frusta per uova (9) per montare: albumi, creme per dolci, panna montata, ecc.
  - Frusta (10) per impastare impasti leggeri: maionese, pastella per pancake, pan di Spagna, ecc.
  - Gancio per impastare (11) per impastare impasti pesanti: pasta di pane, pasta lievitata, ecc.
3. Posizionare l'accessorio corretto (9 o 10 o 11) sul bullone del nido di attacco del mescolatore con molla (18). Regolare la posizione di due elementi metallici sporgenti per entrare nei punti concavi del nido di attacco del mescolatore con molla (18) - vedere figura A. Spingere l'attacco verso l'alto fino a quando la molla è completamente compressa, ruotare completamente in senso orario e rilasciare - vedere figura B.
4. Mettere gli ingredienti alimentari nella ciotola e premere la manopola di inclinazione (7) verso il basso per chiudere il braccio dell'alloggiamento (1).
5. Collegare il dispositivo e ruotare la manopola della velocità (8) per la velocità richiesta. La velocità 0 indica il motore fermo, la velocità 1 indica la velocità più lenta, la velocità 6 indica la rotazione massima. P – significa modalità Pulse, significa rotazione a impulsi degli ingranaggi quando la manopola (8) è tenuta in posizione Pulse.
6. Dopo l'uso spegnere il dispositivo ruotando la manopola della velocità (8) in posizione 0 e scollegare il dispositivo.
7. Premere la manopola di inclinazione (7) verso il basso per sollevare il braccio dell'alloggiamento (1). Se la miscela miscelata è corretta, rimuovere l'accessorio. Per rimuovere l'accessorio, sollevarlo leggermente per comprimere completamente la molla, quindi ruotare l'intero attacco sul lato sinistro e tirarlo verso il basso.
8. Ruotare la vaschetta (4) in senso antiorario e rimuoverla dall'alloggiamento del motore (2) tenendola con entrambe le mani. Ricorda che la ciotola può essere pesante.

## MODO DI ASSEMBLAGGIO: funzione smerigliatrice

1. Posizionare la ciotola (4) sull'alloggiamento del motore (2) e chiudere il braccio dell'alloggiamento (1) premendo la manopola di inclinazione (7). Non montare alcun accessorio all'interno della ciotola (4). È necessario proteggerti dalla rotazione del nido di attacco del miscelatore con molla (18). È normale che il nido di attacco del mixer con la molla (18) ruoti all'interno della ciotola quando si utilizza il tritacarne.

2. Togliere il coperchio anteriore (5) per installare il macinino.

3. All'interno della camera di macinazione (17) posizionare l'ingranaggio a vite senza fine (15), quindi posizionare correttamente la lama trasversale di macinazione (14). Fare attenzione a posizionarlo dal lato corretto, come mostrato in figura C. Quindi, posizionare l'apposito setaccio (13) e avvitare LEGGERMENTE il dado di fissaggio (12) all'estremità.

NOTA: il dado di fissaggio (12) deve essere avvitato LEGGERMENTE PRIMA di montare l'intero gruppo macinazione al carter motore (2). È necessario regolare la posizione del foro esagonale (figura D1) nell'unità di macinazione rispetto all'albero esagonale nell'alloggiamento del motore (2).

4. Posizionare il gruppo tritacarne nella posizione mostrata in figura D3 (posizione inclinata), spingerlo all'interno dell'alloggiamento del motore (2) e girare a sinistra nella posizione verticale mostrata in figura D4. Il pulsante tondo nero vicino al gruppo tritacarne tornerà in posizione sporgente. Avvitare ora saldamente il dado di fissaggio (12).

5. Montare il vassoio di macinazione (16) sulla parte superiore della camera di macinazione (17).

6. Per smontare il gruppo tritacarne, premere il pulsante tondo nero e agire in ordine inverso.

## UTILIZZO: funzione Mixer

- Impastare impasti pesanti (pasta per pane, pasta lievitata, ecc.)

Assemblare il gancio impastatore (11). Metti gli ingredienti alimentari all'interno della ciotola. La razione suggerita di farina e acqua è: 5:3. Quantità massima di farina: 1500g. Si consiglia di iniziare a impastare alla velocità 1 o 2 per non più di 20 secondi di funzionamento continuo. Quindi, impostare la velocità 3 e operare per non più di 4 minuti consecutivi alla volta.

- Mescolare impasti leggeri (maionese, pastella per pancake, pan di Spagna, ecc.)

Montare la frusta di miscelazione (10). Metti gli ingredienti alimentari all'interno della ciotola fino a un'altezza massima di  $\frac{3}{4}$  della ciotola.

Accendere la velocità 3-4 e mescolare il tempo necessario per ottenere la densità desiderata. Utilizzare non più di 4 minuti consecutivi alla volta.

- Montatura (albumi, creme per dolci, panna montata, ecc.)

Montare la frusta per le uova (9).

Per montare gli albumi: Mettere gli albumi all'interno della ciotola fino a un massimo di 24 uova. Accendere la velocità 4-6 e mescolare, per circa 5 minuti fino a quando non diventa duro. Il tempo di miscelazione dipende dalla dimensione delle uova.

Per la panna montata: mettere almeno 250 ml di panna fresca (precedentemente raffreddata in frigorifero per almeno 8 ore). Mescolare a velocità da 4 a 6 per circa 5 minuti. Non superare la quantità di  $\frac{1}{2}$  alta della ciotola di panna fresca versata per mantenere lo spazio sufficiente per la panna montata.

## UTILIZZO: funzione smerigliatrice

1. Tagliare tutti gli alimenti a pezzi (si consiglia carne di manzo o maiale senza tendini, senza osso e senza grasso, di dimensioni approssimative: 20 mm x 20 mm x 60 mm) in modo che si inseriscano facilmente nel tubo di macinazione (17).

2. Collegare il dispositivo e accenderlo, quindi ruotare la manopola di controllo della velocità (8) su 4-6 velocità.

3. Introdurre il cibo nel vassoio per tritare (16). Utilizzare per questo solo lo spintore in plastica (6).

4. Dopo l'uso spegnere il dispositivo e scollegarlo dall'alimentazione.

5. Utilizzare non più di 4 minuti consecutivi alla volta.

6. Il dispositivo è dotato di 3 setacci con fori di diametro 3 mm, 5 mm e 7 mm, scegli la piastra forata adatta al piatto desiderato.

- Setaccio da 3 mm - maglia fine per macinare fino ad ottenere una consistenza abbastanza compatta ed uniforme. Perfetto per farcire e paté.

- Colino 5 mm - maglia media per macinare carne per cotolette macinate, hamburger, polpette e ripieni per gnocchi, frittelle e tortillas.

Usando questo colino puoi anche macinare verdure, formaggio a pasta dura e persino noci.

- Colino da 7 mm - maglia spessa per macinare carne con una struttura distinta. Il colino è destinato alla produzione di salsicce e rigaglie.

## DISPOSITIVO DI PROTEZIONE DAL SURRISCALDAMENTO

Il dispositivo si spegne automaticamente dopo 15 minuti di funzionamento continuo per proteggere il motore dal surriscaldamento. È necessario scollegare il dispositivo e lasciarlo raffreddare prima del prossimo utilizzo. Il dispositivo una volta raffreddato funzionerà normalmente.

## PULIZIA E MANUTENZIONE

1. Prima di pulire il dispositivo, assicurarsi che il cavo di alimentazione sia scollegato dalla presa di corrente e che la manopola di controllo della velocità sia in posizione "0". Lasciare raffreddare il dispositivo prima di pulirlo.

2. Smontare tutti gli accessori dall'alloggiamento del motore (2). Non pulire gli accessori mentre sono montati sul gruppo di azionamento della macchina.

3. Non utilizzare detergenti aggressivi per pulire l'alloggiamento del motore (2), in quanto potrebbero rimuovere i simboli grafici informativi quali: scala, segnaletica, segni di sicurezza, ecc.

4. Non lavare le parti metalliche in lavastoviglie. I detergenti aggressivi utilizzati nelle lavastoviglie fanno annerire le parti metalliche. Lavare a mano le parti metalliche utilizzando il tradizionale detersivo per piatti. Usa una spazzola morbida.

5. Pulire le parti esterne con un panno da cucina o un panno morbido.

6. Non utilizzare materiali abrasivi per pulire il dispositivo.

7. Non immergere l'alloggiamento del motore (1) in acqua o altri liquidi.

## DATI TECNICI

Alimentazione: 220-240V ~50/60Hz

Potenza: 1200 W

Potenza massima: 2200 W

Ciotola in acciaio inox 7 litri

Tempo massimo di funzionamento in un ciclo: 15 minuti.

Tempo minimo di riposo tra i cicli: almeno 10 minuti



Prendersi cura dell'ambiente

Gli imballi di cartone devono essere smaltiti nel contenitore per la carta. I sacchetti di polietilene (PE) vanno gettati nel contenitore per la plastica. L'apparecchio usato deve essere rottamato presso un centro di raccolta autorizzato, poiché contiene elementi pericolosi che potrebbero costituire una minaccia per l'ambiente. I dispositivi elettrici devono essere resi al fine di evitare il loro riutilizzo. Se il dispositivo contiene una batteria, deve essere rimossa e smaltita separatamente in un punto di raccolta.

Non gettare l'apparecchio nei contenitori dei rifiuti urbani!

МАКЕДОНСКИ

**УСЛОВИ ЗА БЕЗБЕДНОСТ. ВАМРНИ УПАТСТВА ЗА БЕЗБЕДНОСТ НА УПОТРЕБА  
ВЕ МОЛИМЕ ЧИТАЈТЕ ВНИМАТЕЛНО И ЧУВАЈТЕ ЗА ИДНА РЕФЕРЕНЦА**

Условите за гаранција се различни, доколку уредот се користи за комерцијална намена.

1. Пред да го користите производот, внимателно прочитајте и секогаш почитувајте ги

следните упатства. Производителот не е одговорен за било каква штета поради каква било злоупотреба.

2. Производот треба да се користи само во затворени простории. Не користете го производот за која било цел што не е компатибилна со неговата примена.

3. Напонот на уредот е 220-240V, ~ 50/60Hz. Од безбедносни причини не е соодветно да поврзете повеќе уреди на еден штекер.

4. Ве молиме бидете претпазливи кога користите околу деца. Не дозволувајте децата да си играат со производот. Не дозволувајте деца или луѓе кои не го познаваат уредот да го користат без надзор.

5. ПРЕДУПРЕДУВАЕ: Овој уред може да го користат деца над 8 години и лица со намалени физички, сетилни или ментални способности, или лица без искуство или знаење за уредот, само под надзор на лице одговорно за нивната безбедност, или доколку биле упатени за безбедно користење на уредот и се свесни за опасностите поврзани со неговото работење. Децата не треба да си играат со уредот. Чистењето и одржувањето на уредот не треба да го вршат деца, освен ако не се постари од 8 години и овие активности се изведуваат под надзор.

6. Откако ќе завршите со користење на производот, секогаш запомнете нежно да го отстраните приклучокот од штекерот што го држи штекерот со раката. Никогаш не влечете го кабелот за напојување !!!

7. Никогаш не оставајте го производот поврзан со изворот на енергија без надзор. Дури и кога употребата е прекината за кратко време, исклучете ја од мрежата, исклучете го напојувањето.

8. Никогаш не ставајте го кабелот за напојување, приклучокот или целиот уред во вода. Никогаш не го изложувајте производот на атмосферски услови, како што се директна сончева светлина или дожд, итн. Никогаш не користете го производот во влажни услови.

9. Периодично проверувајте ја состојбата на кабелот за напојување. Ако кабелот за струја е оштетен, производот треба да се сврти на професионална локација за сервис за да се замени со цел да се избегнат опасни ситуации.

10. Никогаш не користете го производот со оштетен кабел за напојување или ако е испуштен или оштетен на кој било друг начин или ако не работи правилно. Не обидувајте се сами да го поправите дефектниот производ, бидејќи може да доведе до електричен удар. Секогаш свртувајте го оштетениот уред на професионална локација за сервис за да го поправите. Сите поправки можат да ги вршат само овластени сервисери. Поправката што е направена неправилно може да предизвика опасни ситуации за корисникот.

11. Никогаш не ставајте го производот на или блиску до топлиите или топлиите површини или кујнските апарати како електричната печка или горилникот за гас.

12. Никогаш не користете го производот близу до запаливи материји.

13. Не дозволувајте кабелот да виси над работ на шалтер и не допирајте жешки површини.

14. Со цел да се обезбеди дополнителна заштита, се препорачува да се инсталира

уред за резидуална струја (RCD) во колото за напојување, со рејтинг на струја не повеќе од 30 mA. Контактирајте со професионален електричар за ова прашање.

15. Уредот не е наменет за индустриска преработка на храна.

16. Не потопувајте ја моторната единица во вода. Не мијте во машини за миење садови. Не изложувајте го уредот и неговите додатоци на високи температури (над 60 °C).

17. Пред чистење и отстранување додатоци, поставете ја контролата на брзината на позиција „0“ и исклучете го кабелот за напојување.

18. Пред да работите со уредот, проверете дали сите делови и додатоци се правилно монтирани:

- планетарен процесор за храна: осигурајте се дека додатокот е целосно вметнат во штекерот, во спротивно може да се влијае на резултатот од мешање.

- мелница за месо: собранието за мелење треба внимателно да се состави.

Неточното склопување може да предизвика слаби перформанси за мелење и затапување на ножот и плочата за дупки.

19. Користете само оригинални додатоци испорачани со мелница за месо и планетарен процесор за храна.

20. Не преоптоварувајте го уредот со вишок производ или не го туркајте производот премногу силно. Користете само туркач за да го внесете производот внатре.

Користењето друг предмет може да ја оштети мелницата за месо.

22. Месото што треба да се меле треба да биде без коски, нараквици, тетиви или вени. Исечете ги поголемите делови на парчиња.

23. Не покривајте ги дупките за вентилација во куќиштето додека уредот е вклучен.

24. Не мелете суво семе од афион. Семето на афион треба да се испари и натопи пред мелење.

25. Не надминувајте  $\frac{3}{4}$  сад високо кога се полни со состојки за храна.

26. Чувајте го уредот подалеку од дофат на деца.

Опис на производот: Мултифункционален планетарен процесор за храна AD4221

- |                              |   |
|------------------------------|---|
| 1. Куќиште за домување       | 2. Куќиште на моторот                           |
| 3. Капак против прскање      | 4. Сад за мешање 7,0 литри                      |
| 5. Предна обвивка на мелница | 6. Пластичен туркач                             |
| 7. Копче за навалување       | 8. Копче за контрола на брзината                |
| 9. Јајце размахване          | 10. Мешање на котек                             |
| 11. Кука за тесто            | 12. Фиксирање навртка                           |
| 13. Сита 3, 5, 7мм           | 14. Минимално вкрстено сечило                   |
| 15. Опрема за црви           | 16. Послужавник                                 |
| 17. Комора за мелење         | 18. Гнездо за прицврстување на Миксер со пролет |

#### ПРЕД ПРВАТА УПОТРЕБА

1. Сите делови на уредот треба темелно да се исчистат пред да се користат за прв пат. Погледнете го делот: „Чистење и одржување“.

2. Застанете го уредот на хоризонтална и рамна површина.
3. Никогаш не ракувајте со уредот без надзор.
4. Не допирајте подвижни делови со прстите. Оставете ги ротирачките додатоци да престанат пред да го отворите садот.

**ПРЕДУПРЕДУВАЕ: НЕ КОРИСТЕТЕ МЕШАЕ И ФУНКЦИИ ЗА МИРУВАЕ ВО ИСТО ВРЕМЕ !! КОРИСТЕТЕ САМО ЕДНО ОД НИВ.**

- Кога користите функција за мешање, предниот капак (5) треба да се наоѓа на својата позиција.
  - Кога користите функција за мелење, садот (4) со капак против прскање (3) треба да се наоѓа на нивната позиција за да го заштити крајниот корисник од ротација на гнездото за прицврстување на миксер со пролет (18).
5. Исклучете го уредот и исклучете го од напојување пред да ги смените додатоците.

**СОБРАНИЕ НАЧИН: Функција на миксер**

Пред да го монтирате процесорот за храна, проверете дали кабелот за напојување е исклучен од штекерот и копчето за контрола на брзината е на позицијата „0“.

1. Ставете го садот во моторната единица, потоа свртете го во насока на стрелките на часовникот додека не почувствувате дека не може да се движи понатаму налево. Садот е блокиран.
2. Изберете соодветна приврзаност кон потребната работа:
  - Размахване со јајца (9) за камшикување: белки од јајца, креми за торта, шлаг, итн.
  - Мешалка за мешање (10) за мешање на лесни мешавини: мајонез, тесто за палачинки, пандишпан итн.
  - Кука за тесто (11) за месене тешко тесто: тесто од леб, тесто од квасец итн.

3. Ставете го соодветниот додаток (9 или 10 или 11) на завртката на гнездото за прицврстување на миксер со пролет (18).

Приспособете ја положбата на два испакнати метални елементи за да влезат во вдлабнати места на гнездото за прицврстување на миксер со пролет (18) - погледнете ја сликата А. Притиснете го прицврстувањето нагоре додека изворот не е целосно компресиран, свртете го целосно во насока на стрелките на часовникот и отпуштете - погледнете ја сликата Б На

4. Ставете ги состојките за храна во садот и притиснете го копчето за навалување (7) надолу за да ја затворите раката на кукиштето (1).

5. Приклучете го уредот и завртете го копчето за брзина (8) за потребната брзина. Брзината 0 значи запрен мотор, брзината 1 значи најбавна брзина, брзината 6 значи максимална ротација. P - значи режим на пулс, тоа значи ротирање на пулсот на брзините кога копчето (8) се држи во пулсна положба.

6. По употреба исклучете го уредот со завртете го копчето за брзина (8) во положба 0 и исклучете го уредот.

7. Притиснете го копчето за навалување (7) надолу за да ја подигнете раката на кукиштето (1). Ако мешаната смеса е точна, отстранете го додатокот. За да го одземете додатокот, подигнете го малку за целосно да ја притиснете пружината, потоа свртете ја целата леплива лева страна и повлечете ја надолу.

8. Свртете го садот (4) спротивно од стрелките на часовникот и отстранете го од кукиштето на моторот (2) држејќи се со двете раце. Запомнете, садот може да биде тежок.

**СОБРАНИЕ НАЧИН: Функција за мелење**

1. Ставете го садот (4) на кукиштето на моторот (2) и затворете ја раката на кукиштето (1) со притискање на копчето за навалување (7). Не составувајте додатоци во садот (4). Потребно е да ве заштити од ротирање на гнездото за прицврстување на миксер со пролет (18). Нормално е гнездото за прицврстување на миксер со пролет (18) да се врти внатре во садот кога се користи мелење.

2. Извадете го предниот капак (5) за да ја поставите мелницата.

3. Внатре во комората за мелење (17) ставете ја опремата за црв (15), а потоа исправете го крстот (14). Обрнете внимание да ја

поставите на вистинската страна, исто како што е прикажано на сликата С. Следно, поставете го соодветното сито (13) и лесно завртете ја завртката за прицврстување (12) на крајот.

**ЗАБЕЛЕШКА:** прицврстувачката навртка (12) треба да се навртува **СВЕТКО ПРЕД** да ја соберете целата единица за мелење во кукиштето на моторот (2). Потребно е да се прилагоди положбата на шестоаголна дупка (слика Д1) во единицата за мелење на шестоаголната осовина во кукиштето на моторот (2).

4. Ставете ја единицата за мелење во положбата прикажана на сликата Д3 (позиција на наклон), притиснете ја внатре во кукиштето на моторот (2) и свртете лево во вертикална положба прикажана на сликата Д4. Црно тркалезно копче близу до апаратот за мелење ќе се врати во испакната положба. Завртете го цврсто навртката за прицврстување (12) сега.

5. Монтирајте ја фиоката за мелење (16) на врвот на комората за мелење (17).

6. За да ја расклопите единицата за мелење, притиснете го црното тркалезно копче дејствувајте во обратен редослед.

**УПОТРЕБА:** Функција на миксер

- Месење тешко тесто (тесто за леб, тесто од квасец, итн.)

Соберете ја куката за тесто (11). Ставете ги состојките за храна во садот. Предложениот сооднос за брашно и вода е: 5: 3.

Максимално количество брашно: 1500гр. Препорачливо е да започнете со месење со брзина 1 или 2 не подолго од 20 секунди континуирано работење. Следно, поставете ја брзината 3 и работете не подолго од 4 минути постојано.

- Мешање лесни мешавини (мајонез, тесто за палачинки, пандишпан, итн.)

Соберете го тепачот за мешање (10). Ставете ги состојките за храна во садот до максимум  $\frac{3}{4}$  од садот. Вклучете ја брзината 3-4 и измешајте колку што е потребно за да ја постигнете саканата густина. Користете не повеќе од 4 минути постојано.

- Камшикување (белки од јајца, креми за торта, шлаг, итн.)

Соберете ја смесата за јајца (9).

За камшикување белки: Ставете ги белките во садот до максимум 24 јајца. Вклучете ја брзината 4-6 и измешајте, околу 5 минути додека не се стегне. Времето на мешање зависи од големината на јајцата.

За шлаг: ставете најмалку 250мл свеж крем (претходно изладен во фрижидер најмалку 8 часа) .. Измешајте го со брзина 4 до 6 околу 5 минути. Не надминувајте го количеството  $\frac{1}{2}$  високо од садот со истурен свеж крем за да задржите доволно простор за шлаг.

**УПОТРЕБА:** Функција за мелење

1. Исечете ја целата храна на парчиња (се препорачува говедско или свинско месо без жица, без коски и свинско месо, приближно со големина: (20 mm x 20 mm x 60 mm.), така што тие лесно се вклопуваат во цевката за мелење (17).

2. Приклучете го уредот и вклучете го, а потоа свртете го копчето за контрола на брзината (8) на 4-6 брзини.

3. Нахранете ја храната во плехот за мелење (16). Користете за него само пластичен туркач (6).

4. По употреба исклучете го уредот и исклучете го од напојување.

5. Користете не повеќе од 4 минути постојано.

6. Уредот е опремен во 3 сита со дупки со дијаметар од 3мм, 5мм и 7мм, избра соодветна плоча за дупки по ваше посакувано јадење.

- сито од 3 мм - фина мрежа за мелење до прилично компактна, униформа конзистентност. Совршен за полнење и паштета.

- цедилка 5 мм - средна мрежа за мелење месо за мелени котлети, плескавици, кофтиња и пломби за кнедли, палачинки и тортииаи. Со користење на оваа цедалка, исто така, можете да мелете зеленчук, тврдо сирење, па дури и ореви.

- цедилка од 7 мм - дебела мрежа за мелење месо со изразена структура. Цедилката е наменета за производство на колбаси и дворови.

## УРЕД ЗА ЗАШТИТА НА ПРЕГРЕА

Уредот автоматски ќе се исклучи по 15 минути континуирано работење за да го заштити моторот од прегревање. Треба да го исклучите уредот и да се излади пред следната употреба. Уредот кога ќе се излади ќе работи нормално.

## ЧИСТЕЕ И ОДРУВАЕ

1. Пред да го исчистите уредот, бидете сигурни дека кабелот за напојување е исклучен од штекерот и копчето за контрола на брзината е на позицијата „0“. Оставете го уредот да се излади пред чистење.
2. Расклопите ги сите додатоци од куќиштето на моторот (2). Не чистете ги додатоците додека сте монтирани на склопот на погонот на машината.
3. Не користете агресивни детергенти за чистење на куќиштето на моторот (2), бидејќи може да ги отстраните информативните графички симболи како што се: скала, знаци, безбедносни ознаки итн.
4. Не мијте ги металните делови во машини за миење садови. Агресивните средства за чистење што се користат во машините за миење садови предизвикуваат поцрнување на металните делови. Рачно измијте ги металните делови користејќи традиционална течност за перење. Користете мека четка.
5. Избришете ги надворешните делови со кујнска крпа или мека крпа.
6. Не користете абразивни материјали за чистење на уредот.
7. Не потопувајте го куќиштето на моторот ( ) во вода или други течности.

## ТЕХНИЧКИ ПОДАТОЦИ

Напојување: 220-240V ~ 50/60Hz

Моќност: 1200W

Максимална моќност: 2200W

Сад од нерѓосувачки челик 7 литри

Максимално време на работа во еден циклус: 15 минути.

Минимално време за одмор помеѓу циклусите: најмалку 10 минути



Се грижаме за природната средина. Картонските паковки молиме да се наменат за рециклирање. Полиетиленовите кеси (PE) да се фрлат во контејнер за пластика. Искористениот уред треба да се предаде во соодветниот складирачки пункт, бидејќи небезбедните состојки кои се наоѓаат во уредот можат да бидат загрозување за средината. Електричниот уред треба да се предаде на начин кој ќе оневозможи негова повторна употреба и искористување. Доколку во уредот има батерии, треба да се извадат и посебно да се предадат во складирачкиот пункт.

## NEDERLANDS

### VEILIGHEIDSVORWAARDEN. BELANGRIJKE INSTRUCTIES OVER VEILIGHEID VAN GEBUIK

#### LEES ZORGVULDIG EN BEWAAR VOOR TOEKOMSTIGE REFERENTIE!

De garantievoorwaarden zijn anders als het apparaat voor commerciële doeleinden wordt gebruikt.

1. Lees voor gebruik van het product aandachtig en volg altijd de volgende instructies. De fabrikant is niet verantwoordelijk voor eventuele schade als gevolg van misbruik.
2. Het product mag alleen binnenshuis worden gebruikt. Gebruik het product niet voor een doel dat niet compatibel is met de toepassing ervan.
3. De spanning van het apparaat is 220-240V, ~50/60Hz. Om veiligheidsredenen is het niet gepast om meerdere apparaten op één stopcontact aan te sluiten.
4. Wees voorzichtig bij gebruik in de buurt van kinderen. Laat kinderen niet met het product



spelen. Laat kinderen of mensen die het apparaat niet kennen het apparaat niet zonder toezicht gebruiken.

5. **WAARSCHUWING:** Dit apparaat mag worden gebruikt door kinderen ouder dan 8 jaar en personen met verminderde fysieke, zintuiglijke of mentale vermogens, of personen zonder ervaring of kennis van het apparaat, alleen onder toezicht van een persoon die verantwoordelijk is voor hun veiligheid, of als ze zijn geïnstrueerd over het veilige gebruik van het apparaat en op de hoogte zijn van de gevaren die aan het gebruik ervan zijn verbonden. Kinderen mogen niet met het apparaat spelen. Reiniging en onderhoud van het apparaat mogen niet worden uitgevoerd door kinderen, tenzij ze ouder zijn dan 8 jaar en deze activiteiten onder toezicht worden uitgevoerd.

6. Als u klaar bent met het gebruik van het product, denk er dan altijd aan om de stekker voorzichtig uit het stopcontact te halen terwijl u het stopcontact met uw hand vasthoudt. Trek nooit aan de stroomkabel!!!

7. Laat het product nooit zonder toezicht aangesloten op de stroombron. Zelfs als het gebruik voor een korte tijd wordt onderbroken, schakel het dan uit van het netwerk, haal de stekker uit het stopcontact.

8. Steek nooit de stroomkabel, de stekker of het hele apparaat in het water. Stel het product nooit bloot aan atmosferische omstandigheden zoals direct zonlicht of regen, enz. Gebruik het product nooit in vochtige omstandigheden.

9. Controleer regelmatig de staat van de stroomkabel. Als de voedingskabel beschadigd is, moet het product naar een professionele servicelocatie worden gebracht om te worden vervangen om gevaarlijke situaties te voorkomen.

10. Gebruik het product nooit met een beschadigd netsnoer of als het is gevallen of op een andere manier is beschadigd of als het niet goed werkt. Probeer het defecte product niet zelf te repareren, omdat dit tot een elektrische schok kan leiden. Breng het beschadigde apparaat altijd naar een professionele servicelocatie om het te repareren. Alle reparaties kunnen alleen worden uitgevoerd door geautoriseerde serviceprofessionals. De foutief uitgevoerde reparatie kan voor de gebruiker gevaarlijke situaties opleveren.

11. Plaats het product nooit op of in de buurt van hete of warme oppervlakken of de keukenapparatuur zoals de elektrische oven of gasbrander.

12. Gebruik het product nooit in de buurt van brandbare stoffen.

13. Laat het snoer niet over de rand van het aanrecht hangen of in aanraking komen met hete oppervlakken.

14. Om extra bescherming te bieden, wordt aanbevolen om een reststroomapparaat (RCD) in het stroomcircuit te installeren, met een reststroomwaarde van niet meer dan 30 mA. Neem hiervoor contact op met een professionele elektricien.

15. Het apparaat is niet bedoeld voor industriële voedselverwerking.

16. Dompel de motoreenheid niet onder in water. Niet wassen in vaatwassers. Stel het apparaat en de accessoires niet bloot aan hoge temperaturen (boven 60°C).

17. Voordat u accessoires reinigt en verwijdert, zet u de snelheidsregelaar in de stand "0" en haalt u de stekker uit het stopcontact.

18. Controleer voordat u het apparaat in gebruik neemt of alle onderdelen en accessoires

correct zijn gemonteerd:

- planetaire keukenmachine: zorg ervoor dat het opzetstuk volledig in het stopcontact zit, anders kan uw mengresultaat worden beïnvloed.
  - vleesmolen: de maalinrichting moet zorgvuldig worden gemonteerd. Onnauwkeurige montage kan leiden tot slechte slijpprestaties en afstomping van het mes en de gatenplaat.
19. Gebruik alleen originele accessoires die bij de vleesmolen en planetaire keukenmachine zijn geleverd.
20. Overlaad het apparaat niet met overtollig product of duw het product er niet te hard in. Gebruik alleen de stamper om het product naar binnen te duwen. Het gebruik van een ander voorwerp kan de vleesmolen beschadigen.
22. Het te malen vlees moet vrij zijn van botten, kraakbeen, pezen of aderen. Snijd de grotere delen in stukjes.
23. Dek de ventilatieopeningen in de behuizing niet af terwijl het apparaat aan staat.
24. Maal geen droog maanzaad. Het maanzaad moet worden gestoomd en geweekt voordat het wordt gemalen.
25. Overschrijd  $\frac{3}{4}$  kom niet hoger wanneer deze wordt gevuld met voedsel ingrediënten.
26. Bewaar het apparaat buiten het bereik van kinderen.

Productbeschrijving: Multifunctionele Planetaire keukenmachine Ad4221

- |                               |                                    |
|-------------------------------|------------------------------------|
| 1. Behuizingsarm              | 2. Motorbehuizing                  |
| 3. Anti-spatdeksel            | 4. Mengkom 7,0 liter               |
| 5. Front cover van vleesmolen | 6. Plastic stamper:                |
| 7. Kantelknop                 | 8. Snelheidsregelknop:             |
| 9. Eierklopper                | 10. Mengklopper                    |
| 11. Deeghaak                  | 12. Bevestigingsmoer               |
| 13. Zeven 3, 5,7 mm           | 14. Mincing kruisblad              |
| 15. Wormwiel                  | 16. Hakkbak                        |
| 17. Hakkamer                  | 18. Mixerbevestigingsnest met veer |

VOOR HET EERSTE GEBRUIK:

1. Alle onderdelen van het apparaat moeten voor het eerste gebruik grondig worden gereinigd. Zie paragraaf: "Reiniging en Onderhoud".
2. Zet het apparaat op een horizontale en vlakke ondergrond.
3. Gebruik het apparaat nooit zonder toezicht.
4. Raak bewegende delen niet met uw vingers aan. Laat de roterende accessoires stoppen voordat u de kom opent.

WAARSCHUWING: GEBRUIK DE FUNCTIES VOOR MINGEN EN HAKEN NIET TEGELIJK !! GEBRUIK ER SLECHTS EEN VAN.

- Bij gebruik van de mengfunctie moet het voordeksel (5) op zijn plaats zitten.
  - Bij gebruik van de hakfunctie moet de kom (4) met antispatdeksel (3) op zijn plaats worden geplaatst om de eindgebruiker te beschermen tegen draaien in het opzetstuk van de mixer met veer (18).
5. Schakel het apparaat uit en trek de stekker uit het stopcontact voordat u accessoires verwisselt.

MONTAGE MANIER: Mixer functie

Voordat u de keukenmachine monteert, moet u ervoor zorgen dat het netsnoer uit het stopcontact is gehaald en dat de snelheidsregelknop op de "0"-stand staat.

1. Plaats de kom in de motorunit en draai hem vervolgens met de klok mee totdat u voelt dat hij niet verder naar links kan bewegen. De kom is geblokkeerd.
2. Kies de juiste bevestiging voor de vereiste bediening:
  - Eierklopper (9) voor het kloppen: eiwitten, cakecrèmes, slagroom, enz.
  - Mengklopper (10) voor het mengen van lichte mengsels: mayonaise, pannenkoekenbeslag, biscuitgebak, enz.
  - Kneedhaak (11) voor het kneden van zwaar deeg: brooddeeg, gistdeeg, etc.
3. Plaats het juiste opzetstuk (9 of 10 of 11) op de bout van het opzetstuk van de mixer met veer (18). Pas de positie van twee uitstekende metalen elementen aan om in de holle plaatsen van het opzetstuk van de mixer te komen met veer (18) – kijk naar afbeelding A. Duw het opzetstuk omhoog totdat de veer volledig is samengedrukt, draai volledig met de klok mee en laat los – kijk naar afbeelding B .
4. Doe de voedsel ingrediënten in de kom en druk de kantelknop (7) naar beneden om de arm van de behuizing (1) te sluiten.
5. Sluit het apparaat aan en draai aan de snelheidsknop (8) voor de gewenste snelheid. De snelheid 0 betekent dat de motor is gestopt, de

snelheid 1 betekent de laagste snelheid, de snelheid 6 betekent maximale rotatie. P – betekent Pulsmodus, het betekent pulsrotatie van versnellingen wanneer de knop (8) in de Puls-positie wordt gehouden.

- Schakel na gebruik het apparaat uit door de snelheidsknop (8) naar stand 0 te draaien en de stekker uit het stopcontact te halen.
- Druk de kantelknop (7) naar beneden om de arm van de behuizing (1) op te tillen. Als het gemengde mengsel correct is, verwijder dan het opzetstuk. Om het hulpstuk weg te nemen, tilt u het een beetje op om de veer volledig samen te drukken, draait u het hele hulpstuk aan de linker kant en trekt u het naar beneden.
- Draai de kom (4) tegen de klok in en verwijder deze met beide handen uit het motorhuis (2). Houd er rekening mee dat de kom zwaar kan zijn.

**MONTAGE MANIER: Grinder functie:**

- Plaats de kom (4) op de motorbehuizing (2) en sluit de behuizingsarm (1) door op de kantelknop (7) te drukken. Monteer geen hulpstukken in de kom (4). Het is nodig om u te beschermen tegen verdraaien van het opzetstuk van de mixer met veer (18). Het is normaal dat het opzetstuk van de mixer met veer (18) in de kom draait wanneer u de vleesmolen gebruikt.
- Verwijder de voorkap (5) om de molen op te stellen.
- Plaats in de hakkamer (17) het wormwiel (15), plaats vervolgens het hakmes (14) correct. Let erop dat u deze met de juiste kant plaatst, zoals getoond op afbeelding C. Plaats vervolgens de juiste zeef (13) en schroef de bevestigingsmoer (12) LICHT in het uiteinde. **OPMERKING:** de bevestigingsmoer (12) moet LICHT worden vastgeschroefd ALVORENS de hele hakeenheid op het motorhuis (2) te monteren. Het is nodig om de positie van het zeshoekige gat (afbeelding D1) in de hakmolen af te stellen op de zeshoekige as in het motorhuis (2).
- Plaats de hakmolen in de positie die wordt getoond op afbeelding D3 (hellingspositie), duw deze in de motorbehuizing (2) en draai naar links naar de verticale positie zoals weergegeven op afbeelding D4. De zwarte ronde knop in de buurt van de hakmolen komt terug in de uitstekende stand. Draai nu de bevestigingsmoer (12) stevig vast.
- Monteer de hakbak (16) bovenop de hakkamer (17).
- Om de eenheid van de vleesmolen te demonteren, drukt u in omgekeerde volgorde op de zwarte ronde knop.

**GEBRUIK: Mixerfunctie**

- Kneden van zwaar deeg (brooddeeg, gistdeeg, enz.)  
Monteer de deeghaak (11). Doe voedsel ingrediënten in de kom. Het aanbevolen rantsoen voor bloem en water is: 5:3. Maximale hoeveelheid bloem: 1500 g. Het wordt aanbevolen om te beginnen met kneden op snelheid 1 of 2 gedurende niet langer dan 20 seconden continu bedrijf. Stel vervolgens snelheid 3 in en werk niet langer dan 4 minuten aaneengesloten.
- Lichte mengsels mengen (mayonaise, pannenkoekenbeslag, biscuitgebak, enz.)  
Monteer de mengklopper (10). Plaats voedsel ingrediënten in de kom tot maximaal  $\frac{3}{4}$  hoog van de kom. Schakel snelheid 3-4 in en mix zo lang als nodig is om de gewenste dichtheid te bereiken. Gebruik niet langer dan 4 minuten aaneengesloten per keer.
- Opkloppen (eiwitten, cakecrèmes, slagroom, enz.)  
Monteer de eierklopper (9).

Voor het opkloppen van eiwitten: Doe het eiwit in de kom tot maximaal 24 eieren. Schakel snelheid 4-6 in en mix, ongeveer 5 minuten tot het stijf is. De mengtijd is afhankelijk van de grootte van de eieren.

Voor slagroom: doe minimaal 250 ml verse room (vooraf gekoeld in de koelkast gedurende minimaal 8 uur). Mix dit op snelheid 4 tot 6 gedurende ongeveer 5 minuten. Overschrijd de hoeveelheid van  $\frac{1}{2}$  hoog van de schaal met gegoten verse room niet om voldoende ruimte voor slagroom te houden.

**GEBRUIK: Grinder-functie**

- Snijd alle voedingsmiddelen in stukjes (varkens- of varkensvlees zonder pezen, zonder botten en zonder vet wordt aanbevolen, ongeveer de afmetingen: (20 mm x 20 mm x 60 mm), zodat ze gemakkelijk in de gehaktkoker (17) passen.
- Sluit het apparaat aan en schakel het in en draai vervolgens de snelheidsregelknop (8) naar 4-6 snelheden.
- Voer het voedsel in de gehaktlade (16). Gebruik hiervoor alleen de plastic stamper (6).
- Schakel het apparaat na gebruik uit en trek de stekker uit het stopcontact.
- Gebruik niet langer dan 4 minuten aaneengesloten per keer.
- Het apparaat is uitgerust met 3 zeven met gaten met een diameter van 3 mm, 5 mm en 7 mm, kies een geschikte gatenplaat voor uw gewenste gerecht.
  - 3 mm zeef - fijnmazig voor het malen tot een vrij compacte, uniforme consistentie. Perfect voor vulling en paté.
  - 5 mm zeef - medium mesh voor het malen van vlees voor gehakte schnitzels, hamburgers, gehaktballen en vullingen voor dumplings, pannenkoeken en tortilla's. Door deze zeef te gebruiken kun je ook groenten, harde kaas en zelfs noten malen.
  - 7 mm zeef - dik gaas voor het malen van vlees met een uitgesproken structuur. De zeef is bedoeld voor de productie van worsten en ingewanden.

**OVERVERHITTING BESCHERMINGSAPPARAAT**

Het apparaat schakelt automatisch uit na 15 minuten continu gebruik om de motor te beschermen tegen oververhitting. Het apparaat moet worden losgekoppeld en laten afkoelen voor het volgende gebruik. Wanneer het apparaat is afgekoeld, werkt het normaal.

**REINIGING EN ONDERHOUD**

- Voordat u het apparaat schoonmaakt, moet u ervoor zorgen dat het netsnoer uit het stopcontact is gehaald en dat de snelheidsregelknop op de "0"-stand staat. Laat het apparaat afkoelen voordat u het schoonmaakt.

2. Demonteer alle accessoires van het motorhuis (2). Reinig de accessoires niet terwijl ze op de aandrijfeenheid van de machine zijn gemonteerd.
3. Gebruik geen agressieve reinigingsmiddelen om de motorbehuizing (2) schoon te maken, omdat hierdoor de informatieve grafische symbolen kunnen worden verwijderd, zoals: schaal, tekens, veiligheidsmarkeringen, enz.
4. Was de metalen onderdelen niet in vaatwassers. Agressieve reinigingsmiddelen die in vaatwassers worden gebruikt, zorgen ervoor dat de metalen delen zwart worden. Was de metalen onderdelen met de hand met traditioneel afwasmiddel. Gebruik een zachte borstel.
5. Veeg de externe delen af met een keukenhanddoek of een zachte doek.
6. Gebruik geen schurende materialen om het apparaat schoon te maken.
7. Dompel de motorbehuizing ( ) niet onder in water of andere vloeistoffen.

#### TECHNISCHE DATA

Voeding: 220-240V ~50/60Hz

Vermogen: 1200W

Maximaal vermogen: 2200W

RVS kom 7 liter

Maximale bedrijfstijd in één cyclus: 15 minuten.

Minimale rusttijd tussen cycli: minimaal 10 minuten



We geven u om het milieu. We vragen u om de kartonnen verpakkingen te storten bij het oud papier. Polyethyleen zakken (PE) storten in de container voor plastic. Versleten apparatuur afgeven bij het juiste verzamelpunt, als in het apparaat gevaarlijke elementen zitten kan dat een bedreiging zijn voor het milieu. Elektrisch apparaat moet worden geretourneerd om het hergebruik te verminderen. Als in het apparaat batterijen zitten, horen die verwijderd te worden en apart af te worden gegeven bij het juiste verzamelpunt.

### РУССКИЙ

## УСЛОВИЯ БЕЗОПАСНОСТИ. ВАЖНЫЕ ИНСТРУКЦИИ ПО БЕЗОПАСНОСТИ ИСПОЛЬЗОВАНИЯ ПОЖАЛУЙСТА, ПРОЧИТАЙТЕ ВНИМАТЕЛЬНО И СОХРАНИТЕ ДЛЯ БУДУЩЕГО ИСПОЛЬЗОВАНИЯ

Условия гарантии отличаются, если устройство используется в коммерческих целях.

1. Перед использованием продукта внимательно прочтите и всегда соблюдайте следующие инструкции. Производитель не несет ответственности за любой ущерб, возникший в результате неправильного использования.
2. Изделие разрешено использовать только в помещении. Не используйте продукт в каких-либо целях, несовместимых с его применением.
3. Напряжение устройства 220-240В, ~ 50 / 60Гц. По соображениям безопасности не рекомендуется подключать несколько устройств к одной розетке.
4. Будьте осторожны при использовании в присутствии детей. Не позволяйте детям играть с изделием. Не позволяйте детям или людям, не знакомым с устройством, использовать его без присмотра.
5. ПРЕДУПРЕЖДЕНИЕ. Это устройство могут использовать дети старше 8 лет и лица с ограниченными физическими, сенсорными или умственными способностями, а также лица без опыта или знаний устройства только под наблюдением лица, ответственного за их безопасность, или если они были проинструктированы о безопасном использовании устройства и осведомлены об опасностях, связанных с его использованием. Дети не должны играть с устройством. Дети не должны чистить и обслуживать устройство, если им не исполнилось 8 лет и эти действия не выполняются под присмотром взрослых.
6. По окончании использования продукта всегда не забывайте осторожно вынимать вилку из розетки, придерживая ее рукой. Никогда не тяните за шнур питания !!!
7. Никогда не оставляйте изделие подключенным к источнику питания без присмотра.

Даже если использование прерывается на короткое время, отключите его от сети, отключите питание.

8. Никогда не опускайте шнур питания, вилку или все устройство в воду. Никогда не подвергайте продукт воздействию атмосферных условий, таких как прямой солнечный свет, дождь и т. Д. Никогда не используйте продукт во влажных условиях.

9. Периодически проверяйте состояние кабеля питания. Если шнур питания поврежден, продукт следует заменить в специализированном сервисном центре, чтобы избежать опасных ситуаций.

10. Никогда не используйте продукт с поврежденным шнуром питания, если его уронили, повредили иным образом, или если он не работает должным образом. Не пытайтесь отремонтировать неисправный продукт самостоятельно, так как это может привести к поражению электрическим током. Всегда отправляйте поврежденное устройство в специализированный сервисный центр для его ремонта. Ремонт может быть выполнен только авторизованными специалистами сервисной службы. Неправильно выполненный ремонт может создать опасные ситуации для пользователя.

11. Никогда не кладите изделие на горячие или теплые поверхности или кухонные приборы, такие как электрическая духовка или газовая горелка, или рядом с ними.

12. Никогда не используйте продукт рядом с горючими веществами.

13. Следите за тем, чтобы шнур не свешивался с края прилавка или касался горячих поверхностей.

14. Для дополнительной защиты рекомендуется установить в цепи питания устройство остаточного тока (УЗО) с номинальным остаточным током не более 30 мА. По этому поводу обратитесь к профессиональному электрику.

15. Устройство не предназначено для промышленной обработки пищевых продуктов.

16. Не погружайте моторный блок в воду. Не мойте в посудомоечных машинах. Не подвергайте устройство и его аксессуары воздействию высоких температур (выше 60 ° C).

17. Перед чисткой и снятием аксессуаров установите регулятор скорости в положение «0» и отсоедините шнур питания.

18. Перед эксплуатацией устройства проверьте, правильно ли установлены все детали и аксессуары:

- планетарный кухонный комбайн: убедитесь, что насадка полностью вставлена в розетку, в противном случае это может повлиять на результат перемешивания.

- мясорубка: нужно аккуратно собрать помольный узел. Неточная сборка может привести к ухудшению качества шлифования и затуплению ножа и пластины с отверстиями.

19. Используйте только оригинальные аксессуары, поставляемые с мясорубкой и планетарным кухонным комбайном.

20. Не перегружайте устройство излишками продукта и не толкайте его слишком сильно. Для проталкивания продукта используйте только толкатель. Использование

другого предмета может повредить мясорубку.

22. В измельчаемом мясе не должно быть костей, хрящей, сухожилий или жилок.

Нарежьте большие части на кусочки.

23. Не закрывайте вентиляционные отверстия в корпусе при включенном устройстве.

24. Не измельчайте сухой мак. Перед измельчением мак необходимо пропарить и замочить.

25. Не превышайте высоту чаши на при заполнении пищевыми ингредиентами.

26. Храните устройство в недоступном для детей месте.

Описание продукта: Многофункциональный планетарный кухонный комбайн Ad4221

- |                              |  |
|------------------------------|--|
| 1. Рычаг корпуса             | 2. Корпус двигателя                        |
| 3. Брызгозащитная крышка     | 4. Смесительная чаша 7,0 л.                |
| 5. Передняя крышка мясорубки | 6. Пластиковый толкатель.                  |
| 7. Ручка наклона             | 8. Ручка регулировки скорости              |
| 9. венчик для яиц            | 10. взбивающий венчик                      |
| 11. Крюк для теста           | 12. Крепежная гайка                        |
| 13. Сита 3, 5, 7 мм          | 14. крестообразный нож                     |
| 15. Червячная передача       | 16. Противень для мясорубки                |
| 17. Мясорубка                | 18. Гнездо для насадки миксера с пружиной. |

#### ПЕРЕД ПЕРВЫМ ИСПОЛЬЗОВАНИЕМ

1. Перед первым использованием все части устройства необходимо тщательно очистить. См. Раздел «Чистка и обслуживание».
2. Поставьте устройство на горизонтальную ровную поверхность.
3. Никогда не эксплуатируйте устройство без присмотра.
4. Не прикасайтесь пальцами к движущимся частям. Прежде чем открывать дежу, дайте вращающимся принадлежностям остановиться.

**ВНИМАНИЕ: НЕ ИСПОЛЬЗУЙТЕ ФУНКЦИИ СМЕШИВАНИЯ И МЯЧА ОДНОВРЕМЕННО !! ИСПОЛЬЗУЙТЕ ТОЛЬКО ОДИН ИЗ НИХ.**

- При использовании функции смешивания передняя крышка (5) должна находиться на своем месте.
  - При использовании функции измельчения дежа (4) с крышкой для защиты от брызг (3) должна быть расположена на своем месте, чтобы защитить конечного пользователя от вращения гнезда насадки миксера с пружиной (18).
5. Перед заменой аксессуаров выключите прибор и отключите его от сети.

#### СПОСОБ СБОРКИ: Функция смесителя

Перед сборкой кухонного комбайна убедитесь, что шнур питания отключен от розетки, а ручка регулировки скорости находится в положении «0».

1. Поместите чашу в моторный блок, затем поверните ее по часовой стрелке, пока не почувствуете, что она не может двигаться дальше влево. Чаша заблокирована.
2. Выберите подходящее приспособление для требуемой операции:
  - Венчик для яиц (9) для взбивания: яичных белков, кремов для торта, взбитых сливок и т. Д.
  - Взбиватель (10) для смешивания легких смесей: майонеза, теста для блинов, бисквита и т. Д.
  - Крюк для теста (11) для замешивания густого теста: хлебного, дрожжевого и т. Д.

3. Наденьте соответствующую насадку (9 или 10 или 11) на болт гнезда крепления смесителя с пружиной (18). Отрегулируйте положение двух выступающих металлических элементов так, чтобы они попали внутрь вогнутых мест насадки смесителя с помощью пружины (18) - см. Рисунок А. Поднимите насадку вверх до полного сжатия пружины, полностью поверните по часовой стрелке и отпустите - см. Рисунок В .
4. Поместите пищевые ингредиенты в чашу и нажмите ручку наклона (7) вниз, чтобы закрыть рычаг корпуса (1).
5. Подключите устройство к розетке и поверните ручку скорости (8) до нужной скорости. Скорость 0 означает, что двигатель остановлен, скорость 1 означает самую низкую скорость, скорость 6 означает максимальное вращение. P - означает импульсный режим, это означает импульсное вращение шестерен, когда ручка (8) находится в положении Pulse.
6. После использования выключите устройство, повернув ручку скорости (8) в положение 0, и отключите устройство.
7. Нажмите ручку наклона (7) вниз, чтобы поднять рычаг корпуса (1). Если смешанная смесь правильная, снимите насадку. Чтобы снять насадку, немного приподнимите ее, чтобы полностью сжать пружину, затем поверните всю насадку с левой стороны и потяните ее вниз.
8. Поверните емкость (4) против часовой стрелки и извлеките ее из корпуса двигателя (2) обеими руками. Помните, что миска может быть тяжелой.

#### СПОСОБ СБОРКИ: Функция шлифовального станка

1. Установите емкость (4) на корпус двигателя (2) и закройте рычаг корпуса (1), нажав ручку наклона (7). Не устанавливайте какие-либо насадки внутри дежи (4). Это необходимо для защиты от проворачивания гнезда насадки миксера с пружиной (18). При использовании мясорубки гнездо насадки миксера с пружиной (18) вращается внутри дежи.
2. Снимите переднюю крышку (5), чтобы установить кофемолку.
3. Внутри камеры измельчения (17) поместите червячную передачу (15), затем установите поперечное лезвие измельчителя (14) правильно. Обратите внимание на то, чтобы расположить его правильной стороной, как показано на рисунке С. Затем установите подходящее сито (13) и СЛАБО закрутите фиксирующую гайку (12) в конце.  
ВНИМАНИЕ: крепежную гайку (12) необходимо завинтить СЛЕДУЮЩИМ ПЕРЕД сборкой всего мясорубки на корпусе двигателя (2). Необходимо отрегулировать положение шестигранного отверстия (рисунок D1) в мясорубке относительно шестигранного вала в корпусе двигателя (2).
4. Установите блок мясорубки в положение, показанное на рисунке D3 (положение наклона), вставьте его внутрь корпуса двигателя (2) и поверните налево в вертикальное положение, показанное на рисунке D4. Черная круглая кнопка рядом с мясорубкой вернется в выступающее положение. Теперь плотно закрутите фиксирующую гайку (12).
5. Установите лоток для мясорубки (16) наверху камеры для измельчения (17).
6. Для демонтажа блока мясорубки нажмите круглую черную кнопку, действующую в обратном порядке.

#### ИСПОЛЬЗОВАНИЕ: Функция смесителя

- Замешивание тяжелого теста (хлебное, дрожжевое и т. Д.)  
Соберите крюк для теста (11). Поместите пищевые ингредиенты в миску. Предлагаемый рацион муки и воды: 5: 3. Максимальное количество муки: 1500 г. Рекомендуется начинать замешивание на скорости 1 или 2 в непрерывном режиме не более 20 секунд. Затем установите скорость 3 и работайте непрерывно не более 4 минут за раз.
- Замешивание легких смесей (майонез, блинное тесто, бисквит и т. Д.)  
Соберите мешалку (10). Поместите пищевые ингредиенты в миску до максимальной высоты. Включите скорость 3-4 и перемешивайте до достижения желаемой плотности. Используйте не более 4 минут непрерывно за раз.
- Взбивание (яичные белки, кремы для торта, взбитые сливки и т. Д.)  
Соберите венчик для яиц (9).

Для взбивания яичных белков: положите яичные белки в миску максимум до 24 яиц. Включите скорость 4-6 и перемешивайте около 5 минут до однородного состояния. Время перемешивания зависит от размера яиц.

Для взбитых сливок: положить не менее 250 мл свежих сливок (предварительно охлажденных в холодильнике не менее 8 часов). Перемешивать на скорости 4-6 примерно 5 минут. Не превышайте ½ высоты чаши со свежими сливками, чтобы оставалось достаточно места для взбитых сливок.

**ИСПОЛЬЗОВАНИЕ:** Функция шлифовального станка

1. Разрежьте все продукты на куски (рекомендуется говядина или свинина без жилок, костей и жира, приблизительного размера: (20 мм x 20 мм x 60 мм), чтобы они легко помещались в трубку для измельчения (17).
2. Подключите устройство и включите, а затем поверните ручку регулировки скорости (8) на 4-6 скоростей.
3. Загрузите продукты в лоток для мясорубки (16). Используйте для этого только пластиковый толкатель (6).
4. После использования выключите устройство и отключите его от электросети.
5. Используйте непрерывно не более 4 минут за раз.
6. Устройство оснащено 3 ситами с отверстиями диаметром 3 мм, 5 мм и 7 мм, выберите подходящую пластину с отверстиями для желаемой посуды.

- Сито 3 мм - мелкие ячейки для измельчения до достаточно компактной однородной консистенции. Идеально подходит для начинки и паштета.

- Сетчатый фильтр 5 мм - средний размер ячеек для измельчения мяса для котлет, котлет, котлет, фрикаделек и начинок для пельменей, блинов и лепешек. Используя это ситечко, вы также можете измельчать овощи, твердый сыр и даже орехи.

- Сито 7 мм - толстая сетка для измельчения мяса с четко выраженной структурой. Ситечко предназначено для производства колбас и потрохов.

#### УСТРОЙСТВО ЗАЩИТЫ ОТ ПЕРЕГРЕВА

Устройство автоматически выключится через 15 минут непрерывной работы для защиты двигателя от перегрева. Перед следующим использованием устройство необходимо отключить и дать ему остыть. После охлаждения устройство будет работать нормально.

#### ЧИСТКА И ТЕХНИЧЕСКОЕ ОБСЛУЖИВАНИЕ

1. Перед чисткой устройства убедитесь, что шнур питания отключен от розетки, а ручка регулировки скорости находится в положении «0». Перед очисткой дайте устройству остыть.
2. Снимите все аксессуары с корпуса двигателя (2). Не чистите аксессуары, когда они установлены на приводе машины.
3. Не используйте агрессивные моющие средства для очистки корпуса двигателя (2), так как они могут удалить информационные графические символы, такие как: шкала, знаки, знаки безопасности и т. Д.
4. Не мойте металлические детали в посудомоечных машинах. Агрессивные чистящие средства, используемые в посудомоечных машинах, вызывают почернение металлических деталей. Вымойте металлические детали вручную, используя традиционное средство для мытья посуды. Используйте мягкую кисть.
5. протрите внешние части кухонным полотенцем или мягкой тканью.
6. Не используйте абразивные материалы для очистки устройства.
7. Не погружайте корпус двигателя ( ) в воду или другие жидкости.

#### ТЕХНИЧЕСКИЕ ДАННЫЕ

Электропитание: 220-240 В ~ 50/60 Гц



Мощность: 1200 Вт

Максимальная мощность: 2200 Вт

Чаша из нержавеющей стали 7 литров

Максимальное время работы за один цикл: 15 минут.

Минимальное время отдыха между циклами: не менее 10 минут.



Заботясь об окружающей среде.. Упаковку из картона передайте, пожалуйста, на макулатуру. Полиэтиленовые мешки (PE) выкидать в резервуар для пластмассы. Изношенное устройство надо передать в соответствующую точку хранения, так как находящиесяя устройствеопасные составляющие могут являться угрозой для окружающей среды. Электрическое устройство надо передать таким образом, чтобы ограничить его повторное употребление и использование. Если в устройстве находятся батареи, их надо вытянуть и передать в точку хранения отдельно. Устройство не выкидать в резервуар для коммунальных отходов!

## SVENSKA

### SÄKERHETSFÖRHÅLLANDEN. VIKTIGA INSTRUKTIONER FÖR ANVÄNDNINGSSÄKERHET

Vänligen läs noggrant och HÅLL FÖR FRAMTIDIGA REFERENS

Garantivillkoren är annorlunda om enheten används för kommersiella ändamål.

1. Läs produkten noga innan du använder produkten och följ alltid följande instruktioner. Tillverkaren ansvarar inte för eventuella skador på grund av missbruk.
2. Produkten får endast användas inomhus. Använd inte produkten för något ändamål som inte är kompatibelt med dess applikation.
3. Enhetens spänning är 220-240V, ~ 50/60Hz. Av säkerhetsskäl är det inte lämpligt att ansluta flera enheter till ett eluttag.
4. Var försiktig när du använder barn. Låt inte barnen leka med produkten. Låt inte barn eller personer som inte känner till enheten använda den utan övervakning.
5. **WARNING:** Denna enhet får användas av barn över 8 år och personer med nedsatt fysisk, sensorisk eller mental förmåga, eller personer utan erfarenhet eller kunskap om enheten, endast under överinseende av en person som är ansvarig för deras säkerhet, eller om de instruerades om säker användning av enheten och är medvetna om de faror som är förknippade med dess användning. Barn ska inte leka med enheten. Rengöring och underhåll av enheten bör inte utföras av barn, om de inte är över 8 år och dessa aktiviteter utförs under övervakning.
6. När du har använt produkten ska du alltid komma ihåg att försiktigt ta ut kontakten ur eluttaget som håller uttaget med handen. Dra aldrig i strömkabeln !!!
7. Lämna aldrig produkten ansluten till strömkällan utan övervakning. Även om användningen avbryts en kort stund, stäng av den från nätverket, koppla ur strömmen.
8. Lägg aldrig strömkabeln, kontakten eller hela enheten i vattnet. Utsätt aldrig produkten för atmosfäriska förhållanden som direkt solljus eller regn, etc. Använd aldrig produkten i fuktiga förhållanden.
9. Kontrollera strömkabelns tillstånd regelbundet. Om strömkabeln är skadad ska produkten vändas till en professionell serviceplats för att bytas ut för att undvika farliga situationer.
10. Använd aldrig produkten med en skadad strömkabel eller om den tappades eller skadades på annat sätt eller om den inte fungerar korrekt. Försök inte reparera den defekterade produkten själv eftersom det kan leda till elektriska stötar. Vänd alltid den skadade enheten till en professionell service för att reparera den. Alla reparationer kan

endast utföras av auktoriserade servicepersonal. Den felaktiga reparationen kan orsaka farliga situationer för användaren.

11. Sätt aldrig produkten på eller nära de varma eller varma ytorna eller köksapparaterna, till exempel elektrisk ugn eller gasbrännare.

12. Använd aldrig produkten nära brännbara ämnen.

13. Låt inte sladden hänga över räknarkanten eller vidröra heta ytor.

14. För att ge ytterligare skydd rekommenderas det att installera jordfelsbrytare (RCD) i effektkretsen, med en märkström på högst 30 mA. Kontakta en professionell elektriker i denna fråga.

15. Enheten är inte avsedd för industriell livsmedelsbearbetning.

16. Sänk inte ner motorenheten i vatten. Tvätta inte i diskmaskiner. Utsätt inte enheten och dess tillbehör för höga temperaturer (över 60 ° C).

17. Innan du rengör och tar bort tillbehör ställer du hastighetskontrollen i läge "0" och drar ur strömkabeln.

18. Kontrollera innan du använder enheten om alla delar och tillbehör är korrekt monterade:

- planetmatberedare: se till att tillbehöret är helt isatt i uttaget, annars kan ditt blandningsresultat påverkas.

- köttkvarn: malningsenheten måste monteras noggrant. Felaktig montering kan orsaka dålig slipning och kniv- och hållplattform.

19. Använd endast originaltillbehör som medföljer köttkvarnen och planetmatberedaren.

20. Överbelasta inte enheten med överflödig produkt eller skjut in produkten för hårt.

Använd bara påskjutaren för att skjuta in produkten. Användning av andra föremål kan skada köttkvarnen.

22. Köttet som ska malas ska vara fritt från ben, flis, senor eller vener. Skär de större delarna i bitar.

23. Täck inte över ventilationshålen i huset medan enheten är på.

24. Slipa inte torr vallmofrö. Vallmofröet måste ångas och blötläggas innan det malas.

25. Överskrid inte  $\frac{3}{4}$  skålen hög när den fylls med livsmedelsingredienser.

26. Förvara enheten utom räckhåll för barn.

Produktbeskrivning: Multifunktions Planetary Food Processor Ad4221

- |                               |                               |
|-------------------------------|-------------------------------|
| 1. Husarm                     | 2. Motorhus                   |
| 3. Anti-stänkskydd            | 4. Blandningsskål 7,0 liter   |
| 5. Främre omslag av köttkvarn | 6. Plastpusher                |
| 7. Lutningsratt               | 8. Hastighetsreglage          |
| 9. Äggvisp                    | 10. Blanda visp               |
| 11. Degkrok                   | 12. Fästmutter                |
| 13. Säger 3, 5, 7 mm          | 14. Fräsning av tvärblad      |
| 15. Maskredskap               | 16. Krossbricka               |
| 17. Malningskammare           | 18. Mixerens fäste med fjäder |

## INNAN FÖRSTA ANVÄNDNING

1. Alla delar av enheten ska rengöras noggrant innan de används första gången. Se avsnittet "Rengöring och underhåll".
2. Ställ enheten på en horisontell och plan yta.
3. Använd aldrig enheten utan övervakning.
4. Rör inte rörliga delar med fingrarna. Låt de roterande tillbehören stanna innan skålen öppnas.

**VARNING: ANVÄND INTE BLANDNINGS- OCH MALNINGSFUNKTIONER SAMTIDIGT !! ANVÄND ENDAST EN AV DEM.**

- När du använder blandningsfunktionen ska frontluckan (5) vara placerad på plats.
  - Vid användning av malningsfunktion ska skålen (4) med stänkskydd (3) placeras på sin plats för att skydda slutanvändaren mot att rotera blandarens fäste med fjäder (18).
5. Stäng av enheten och koppla från strömförsörjningen innan du byter tillbehör.

## MONTERINGSSÄTT: Blandarfunktion

Innan du monterar matberedaren, se till att nätsladden är urkopplad från eluttaget och att hastighetsreglaget är i läge "0".

1. Placera skålen i motorenheten och vrid den medurs tills du känner att den inte kan röra sig längre till vänster. Skålen är blockerad.
2. Välj korrekt anslutning till erforderlig drift:
  - Äggvisp (9) för vispning: äggvitor, tårkrämer, vispad grädde etc.
  - Blanda visparen (10) för att blanda ljusa blandningar: majonnäs, pannkakssmör, sockerkaka etc.
  - Degkrok (11) för knådning av tung deg: bröddeg, jästdeg etc.
3. Sätt rätt fäste (9 eller 10 eller 11) på bulten på blandarens fästbo med fjäder (18). Justera läget för två utskjutande metallelement för att komma in i konkava platser i blandarens fästbo med fjäder (18) - titta på bild A. Skjut redskapet uppåt tills fjädern är helt komprimerad, vrid helt medurs och släpp - se bild B .
4. Lägg livsmedelsingredienser i skålen och tryck ned lutningsratten (7) för att stänga husarmen (1).
5. Anslut enheten och vrid hastighetsknappen (8) för önskad hastighet. Hastigheten 0 betyder att motorn har stannat, hastigheten 1 betyder den lägsta hastigheten, hastigheten 6 betyder maximal rotation. P - betyder pulsläge, det betyder pulsrotation av växlar när vredet (8) hålls i pulsläget.
6. Stäng av enheten efter användning genom att vrida hastighetsknappen (8) till läge 0 och koppla från enheten.
7. Tryck lutningsratten (7) nedåt för att lyfta husarmen (1). Om blandningen är korrekt, ta bort tillbehöret. För att ta bort tillbehöret, lyft upp det lite för att komprimera fjädern helt, vrid sedan hela tillbehöret till vänster och dra ner det.
8. Vrid skålen (4) moturs och ta bort den från motorhuset (2) genom att hålla med båda händerna. Kom ihåg att skålen kan vara tung.

## MONTERINGSSÄTT: Kvarnfunktion

1. Placera skålen (4) på motorhuset (2) och stäng husarmen (1) genom att trycka på lutningsratten (7). Montera inte några tillbehör inuti skålen (4). Det är nödvändigt att skydda dig mot att rotera blandarens fästbo med fjäder (18). Det är normalt att blandarens fäste med fjäder (18) roterar inuti skålen när du använder köttkvarnen.
2. Ta bort frontluckan (5) för att ställa in kvarnen.
3. Inuti malningskammaren (17) placera snäckväxeln (15), placera därefter korlbladet (14) rätt. Var uppmärksam på att placera den på rätt sida, samma som visas på bild C. Placera sedan rätt sil (13) och skruva fast låsmuttern (12) i slutet.

**ANMÄRKNING:** fästmuttern (12) måste skruvas LÄTT FÖR att montera hela malningsenheten till motorhuset (2). Det är nödvändigt att justera positionen för det sexkantiga hålet (bild D1) i malningsenheten till den sexkantiga axeln i motorhuset (2).

4. Placera köttkvarnenheten i det läge som visas på bild D3 (lutningsläge), skjut den inuti motorhuset (2) och sväng vänster till det vertikala läge som visas på bild D4. Den svarta runda knappen nära köttkvarnens enhet kommer tillbaka till utskjutande läge. Skruva fast fästmuttern (12) ordentligt nu.

5. Montera köttfacket (16) på toppen av malningskammaren (17).

6. För att demontera köttkvarnens enhet, tryck på den svarta runda knappen i motsatt ordning.

ANVÄNDNING: Blandarfunktion

• Knåda tung deg (brödeg, jästdeg, etc.)

Montera degkroken (11). Lägg matingredienser i skålen. Rekommenderat mjöl- och vattenransoner är: 5: 3. Maximal mjölmängd: 1500 g.

Det rekommenderas att börja knåda med hastighet 1 eller 2 under högst 20 sekunder i kontinuerlig drift. Ställ sedan in hastigheten 3 och kör inte längre än 4 minuter kontinuerligt åt gången.

• Blanda lätta blandningar (majonnäs, pannkakssmör, sockerkaka etc.)

Montera blandningsvisparen (10). Sätt matingredienserna i skålen till max  $\frac{3}{4}$  hög skålen. Slå på hastighet 3-4 och blanda så länge du behöver för att uppnå önskad densitet. Använd inte mer än 4 minuter kontinuerligt åt gången.

• Vispning (äggvitor, tårkrämer, vispad grädde, etc.)

Sätt ihop äggvispen (9).

För vispning av äggvitor: Lägg äggvitorna i skålen till max 24 ägg. Slå på hastigheten 4-6 och blanda, ca 5 minuter tills den är stel.

Blandningstiden beror på storleken på äggen.

För vispad grädde: lägg minst 250 ml färsk grädde (tidigare kylt i kylskåp i minst 8 timmar) .. Blanda det med hastighet 4 till 6 i cirka 5 minuter. Överskrid inte mängden  $\frac{1}{2}$  hög i skålen med färsk grädde för att hålla tillräckligt med utrymme för vispad grädde.

ANVÄNDNING: Kvarnfunktion

1. Skär alla livsmedel i bitar (senfria, benfria och fettfria nötkött eller fläsk rekommenderas, ungefär storlek: (20 mm x 20 mm x 60 mm), så att de lätt passar in i köttfärsröret (17).

2. Anslut enheten och slå på och vrid sedan hastighetsreglaget (8) till 4-6 hastigheter.

3. Mata ner maten i köttfacket (16). Använd endast plastdrivaren (6).

4. Stäng av enheten efter användning och dra ut den från strömförsörjningen.

5. Använd inte mer än 4 minuter kontinuerligt åt gången.

6. Enheten är utrustad i 3 siktar med hål diameter 3 mm, 5 mm och 7 mm, valde lämplig hålpatta till önskad maträtt.

- 3 mm sikt - fint nät för slipning till en ganska kompakt, enhetlig konsistens. Perfekt för fyllning och paté.

- 5 mm sil - medium mesh för malning av kött till köttfärs, hamburgare, köttbullar och fyllningar för dumplings, pannkakor och tortillor.

Genom att använda denna sil kan du också mala grönsaker, hård ost och till och med. nötter.

- 7 mm sil - tjockt nät för malning av kött med en distinkt struktur. Silen är avsedd för tillverkning av korv och flaskor.

ÖVERHETSSKYDD ENHET

Enheten stängs av automatiskt efter 15 minuters kontinuerlig drift för att skydda motorn mot överhettning. Det är nödvändigt att koppla bort enheten och låta den svalna innan nästa användning. När enheten svalnar fungerar den normalt.

STÄDNING OCH UNDERHÅLL

1. Innan du rengör enheten, se till att nätsladden är urkopplad från eluttaget och att hastighetsreglaget är i läge "0". Låt enheten svalna innan rengöring.

2. Demontera alla tillbehör från motorhuset (2). Rengör inte tillbehören när de är monterade på maskinens drivenhet.

3. Använd inte aggressiva rengöringsmedel för att rengöra motorhuset (2), eftersom det kan ta bort de informativa grafiska symbolerna som: skala, skyltar, säkerhetsmärken etc.

4. Tvätta inte metalldelarna i diskmaskiner. Aggressiva rengöringsmedel som används i diskmaskiner gör att metalldelarna blir svarta.

Handvätt metalldelarna med traditionell diskmedel. Använd en mjuk borste:

5. Torka av de yttre delarna med kökshandduk eller mjuk trasa.
6. Använd inte slipande material för att rengöra enheten.
7. Sänk inte ned motorhuset ( ) i vatten eller andra vätskor.

#### TEKNISK DATA

Strömförsörjning: 220-240V ~ 50/60Hz

Effekt: 1200W

Max effekt: 2200W

Rostfri skål 7 liter

Max drifttid i en cykel: 15 minuter.

Minsta vilotid mellan cyklerna: minst 10 minuter



Vi sköter om miljön. Överlämna förpackningar i kartong till pappersavfall. Polyetylensäckar (PE) slängs i avfallsbehållare för plast. Man bör lämna en gammal apparat till en riktig återvinningscentral, eftersom farliga komponenter i apparaten kan orsaka fara till miljön. En elektrisk apparat bör lämnas för att minska förnyad användning av denna. Om apparaten innehåller batterier, bör man ta bort dem och lämna dem separat till återvinningscentraler.

### SLOVENSKÝ

#### BEZPEČNOSTNÉ PODMIENKY. DÔLEŽITÉ POKYNY K BEZPEČNOSTI POUŽÍVANIA PROSÍM ČÍTAJTE POZORNE A USCHOVAJTE SI BUDÚCE REFERENCIE

Pokiaľ sa zariadenie používa na komerčné účely, záručné podmienky sú odlišné.

1. Pred použitím výrobku si prosím pozorne prečítajte a dodržujte nasledujúce pokyny. Výrobca nezodpovedá za žiadne škody spôsobené nesprávnym použitím.
2. Výrobok je určený len na použitie v interiéri. Nepoužívajte výrobok na žiadny účel, ktorý nie je kompatibilný s jeho aplikáciou.
3. Napätie zariadenia je 220-240 V, ~ 50/60 Hz. Z bezpečnostných dôvodov nie je vhodné pripojiť viac zariadení k jednej elektrickej zásuvke.
4. Pri používaní okolo detí buďte opatrní. Nenechajte deti hrať sa s výrobkom. Nedovoľte, aby ho používali deti alebo ľudia, ktorí zariadenie nepoznajú, bez dozoru.
5. **UPOZORNENIE:** Tento prístroj môžu používať deti staršie ako 8 rokov a osoby so zníženými fyzickými, zmyslovými alebo mentálnymi schopnosťami alebo osoby bez skúseností alebo znalostí zariadenia, iba pod dohľadom osoby zodpovednej za ich bezpečnosť, alebo ak boli poučení o bezpečnom používaní zariadenia a sú si vedomí nebezpečenstiev spojených s jeho prevádzkou. Deti by sa so zariadením nemali hrať. Čistenie a údržbu zariadenia by nemali vykonávať deti, pokiaľ nie sú staršie ako 8 rokov a tieto činnosti vykonávajú pod dohľadom.
6. Keď výrobok použijete, vždy jemne vytiahnite zástrčku zo zásuvky a držte ju rukou. Nikdy neťahajte za napájací kábel !!!
7. Nikdy nenechávajte výrobok pripojený k zdroju napájania bez dozoru. Aj keď sa používanie na krátky čas preruší, vypnite ho zo siete a odpojte napájanie.
8. Nikdy neponárajte napájací kábel, zástrčku alebo celé zariadenie do vody. Nikdy nevystavujte výrobok atmosférickým podmienkam, ako je priame slnečné svetlo alebo dážď, atď. Nikdy nepoužívajte výrobok vo vlhkých podmienkach.

9. Pravidelne kontrolujte stav napájacieho kábla. Ak je napájací kábel poškodený, výrobok by mal byť obrátený na profesionálne servisné miesto, kde bude vymenený, aby sa predišlo nebezpečným situáciám.
10. Nikdy nepoužívajte výrobok s poškodeným napájacím káblom alebo ak vám spadol alebo je poškodený iným spôsobom alebo ak nefunguje správne. Nepokúšajte sa opraviť poškodený výrobok sami, pretože to môže viesť k úrazu elektrickým prúdom. Poškodené zariadenie vždy za účelom opravy opravte na profesionálnom servisnom mieste. Všetky opravy môžu vykonávať iba autorizovaní servisní pracovníci. Oprava, ktorá bola vykonaná nesprávne, môže používateľovi spôsobiť nebezpečné situácie.
11. Nikdy nedávajte výrobok na horúce alebo teplé povrchy alebo do ich blízkosti alebo blízko kuchynských spotrebičov, ako je elektrická rúra alebo plynový horák.
12. Nikdy nepoužívajte výrobok v blízkosti horľavých materiálov.
13. Nenechajte kábel visieť cez okraj pultu alebo sa dotýkať horúcich povrchov.
14. Aby sa poskytla dodatočná ochrana, odporúča sa nainštalovať výkonový obvod (RCD) do výkonového obvodu s menovitým zvyškovým prúdom maximálne 30 mA. V tejto záležitosti sa obráťte na profesionálneho elektrikára.
15. Zariadenie nie je určené na priemyselné spracovanie potravín.
16. Neponárajte motorovú jednotku do vody. Neumývajte v umývačkách riadu. Nevystavujte zariadenie a jeho príslušenstvo vysokým teplotám (nad 60 ° C).
17. Pred čistením a vyberaním príslušenstva nastavte regulátor rýchlosti do polohy „0“ a odpojte napájací kábel.
18. Pred použitím zariadenia skontrolujte, či sú všetky diely a príslušenstvo správne namontované:
  - planetárny kuchynský robot: zaistite, aby bol nástavec úplne zasunutý do zásuvky, inak by mohol byť ovplyvnený výsledok miešania.
  - mlynček na mäso: mlecíu zostavu je potrebné starostlivo zmontovať. Nepresná montáž môže spôsobiť zlý výkon pri brúsení a otupenie dosky noža a diery.
19. Používajte iba originálne príslušenstvo dodávané s mlynčekom na mäso a planetovým kuchynským robotom.
20. Nepreťažujte zariadenie prebytočným výrobkom ani ho príliš nezasúvajte. Na zasúvanie produktu používajte iba posúvač. Mlynček na mäso môže poškodiť iný predmet.
22. Mleté mäso by malo byť bez kostí, chĺpkov, šliach alebo žíl. Väčšie časti nakrájajte na kúsky.
23. Nezakrývajte vetracie otvory v kryte, keď je zariadenie zapnuté.
24. Suchý mak nerozdrvte. Mak je potrebné pred mletím spariť a namočiť.
25. Pri plnení prísadami potravín nepresahujte  $\frac{3}{4}$  misky.
26. Zariadenie skladujte mimo dosahu detí.

Popis produktu: Multifunkčný planetárny kuchynský robot Ad4221

- |                                 |                            |
|---------------------------------|----------------------------|
| 1. Rameno krytu                 | 2. Kryt motora             |
| 3. Kryt proti striekajúcej vode | 4. Miešacia misa 7,0 litra |

- |                         |  |
|-------------------------|--|
| 5. Predný kryt mlynčeka | 6. Plastový posúvač                          |
| 7. Ovládač naklonenia   | 8. Ovládač rýchlosti                         |
| 9. Vaječná metla        | 10. Miešací šľahač                           |
| 11. Háčik na cesto      | 12. Upevňovacia matica                       |
| 13. Sítá 3, 5, 7 mm     | 14. Mlýnska krížová čepeľ                    |
| 15. Worm gear           | 16. Mlecí plech                              |
| 17. Mlecia komora       | 18. Hniezdo na pripevnenie mixéra s pružinou |

## PRED PRVÝM POUŽITÍM

1. Všetky časti zariadenia je potrebné pred prvým použitím dôkladne vyčistiť. Pozrite si časť: „Čistenie a údržba“.
2. Postavte zariadenie na vodorovný a rovný povrch.
3. Nikdy nepoužívajte zariadenie bez dozoru.
4. Nedotýkajte sa pohyblivých častí prstami. Pred otvorením misky nechajte rotujúce príslušenstvo zastaviť.

## UPOZORNENIE: NEPOUŽÍVAJTE ZARIADENIE NA ZMIEŠANIE A MINCOVANIE V rovnakom čase !! POUŽÍVAJTE IBA JEDEN Z NICH

- Pri použití funkcie miešania by mal byť predný kryt (5) umiestnený na svojom mieste.
  - Pri použití funkcie mletia by mala byť miska (4) s krytom proti rozstreku (3) umiestnená na svojom mieste, aby koncový používateľ chránil pred otáčaním prípevňovacieho hniezda mixéra s pružinou (18).
5. Pred výmenou príslušenstva vypnite zariadenie a odpojte ho od napájania.

## MONTÁŽNY spôsob: funkcia mixéra

Pred zostavením kuchynského robota sa uistite, že je napájací kábel vyťahnutý z elektrickej zásuvky a že ovládač otáčok je v polohe „0“.

1. Umiestnite misku do motorovej jednotky a potom ju otáčajte v smere hodinových ručičiek, kým nepocítite, že sa nemôže pohybovať ďalej doľava. Misa je zablokovaná.
2. Vyberte správne pripojenie k požadovanej operácii:
  - Vaječná šľahačka (9) na šľahanie: vaječné bielky, tortové krémy, šľahačka atď.
  - Mixér (10) na miešanie ľahkých zmesí: majonézy, cesta na palacinky, piškót a pod.
  - Háč na cesto (11) na miesenie ťažkého cesta: chlebové cesto, kysnuté cesto atď.
3. Nasadte správny nástavec (9 alebo 10 alebo 11) na čap upevňovacieho hniezda mixéra s pružinou (18). Upravte polohu dvoch vyčnievajúcich kovových prvkov tak, aby sa dostali do konkávných miest upevňovacieho hniezda mixéra s pružinou (18) - pozrite sa na obrázok A. Zatlačte nástavec nahor, až kým sa pružina úplne nestlačí, úplne otočte v smere hodinových ručičiek a uvoľnite - pozrite sa na obrázok B .
4. Do misky vložte potravinové prísady a stlačením výklopného gombíka (7) nadol zatvorte rameno krytu (1).
5. Pripojte zariadenie a otáčajte regulátorom rýchlosti (8) na požadovanú rýchlosť. Rýchlosť 0 znamená zastavený motor, rýchlosť 1 znamená najnižšiu rýchlosť, rýchlosť 6 znamená maximálnu rotáciu. P - znamená pulzný režim, znamená to pulzné otáčanie prevodových stupňov, keď je gombík (8) držaný v pulznej polohe.
6. Po použití zariadenie vypnite otáčaním gombíka rýchlosti (8) do polohy 0 a zariadenie odpojte.
7. Stlačením gombíka sklonu (7) nadol zdvihnete rameno krytu (1). Ak je namiešaná zmes správna, odstráňte nástavec. Ak chcete nástavec odobrať, trochu ho nadvihnite, aby sa pružina úplne stlačila, potom otočte celý nástavec na ľavú stranu a potiahnite ho.
8. Otočte misku (4) proti smeru hodinových ručičiek a držte ju oboma rukami a vyberte ju z telesa motora (2). Pamätajte si, že misa môže byť ťažká.

## MONTÁŽNY spôsob: funkcia mlynčeka

1. Umiestnite miskú (4) na kryt motora (2) a zatvorte rameno puzdra (1) stlačením gombíka naklonenia (7). Vo vnútri misky (4) nemontujte žiadne nadstavce. Je potrebné, aby ste boli chránení proti otáčaniu upevňovacieho hniezda mixéra pružinou (18). Pri použití mlynčeka je normálne, že sa upevňovacie hniezdo mixéra s pružinou (18) otáča vo vnútri misky.

2. Zložte predný kryt (5), aby ste nastavili mlynček.

3. Do komory na mletie (17) umiestnite závitkový prevod (15), potom správne umiestnite nôž na mletie (14). Dávajte pozor, aby ste ho umiestnili správnou stranou, ako je to znázornené na obrázku C. Potom umiestnite správne sito (13) a NA konci ZASMETNITE upevňovaciu maticu (12).

UPOZORNENIE: Upevňovaciu maticu (12) je potrebné MNOHO priskrutkovať PRED montážou celej mlecej jednotky na kryt motora (2).

Je potrebné nastaviť polohu šesťhranného otvoru (obrázok D1) v mlecej jednotke na šesťhranný hriadeľ v kryte motora (2).

4. Umiestnite jednotku mlynčeka do polohy zobrazenej na obrázku D3 (poloha sklonu), zatlačte ju do krytu motora (2) a otočte doľava do zvislej polohy znázornenej na obrázku D4. Čierne okrúhle tlačidlo v blízkosti jednotky mlynčeka sa vráti do vyčnievajúcej polohy. Teraz pevne priskrutkujte upevňovaciu maticu (12).

5. Namontujte mlecí plech (16) na hornú časť komory na mletie (17).

6. Ak chcete demontovať jednotku mlynčeka, stlačte čierne okrúhle tlačidlo v opačnom poradí.

## POUŽITIE: Funkcia mixéra

• Miesenie ťažkého cesta (chlebové cesto, kysnuté cesto atď.)

Zostavte háčik na cesto (11). Do misky vložte potravinové prísady. Odporúčaná dávka múky a vody je: 5: 3. Maximálne množstvo múky: 1500 g. Odporúča sa začať miesenie pri rýchlosti 1 alebo 2 nie dlhšie ako 20 sekúnd v nepretržitej prevádzke. Potom nastavte rýchlosť 3 a pracujte nie dlhšie ako 4 minúty nepretržite naraz.

• Miešanie ľahkých zmesí (majonéza, palacínkové cesto, piškóta atď.)

Zostavte mixér (10). Do misky vložte potravinové prísady, maximálne do  $\frac{3}{4}$  výšky misky. Zapnite rýchlosť 3-4 a miešajte tak dlho, kým sa nedosiahne požadovaná hustota. Nepoužívajte dlhšie ako 4 minúty nepretržite naraz.

• Šľahanie (vaječné bielky, tortové krémy, šľahačka atď.)

Zostavte šľahačku (9).

Na šľahanie vaječných bielkov: Do nádoby dajte vaječné bielky, aby získalo maximálne 24 vajec. Zapnite rýchlosť 4-6 a miešajte asi 5 minút, kým nie je tuhý. Čas miešania závisí od veľkosti vajec.

Na šľahačku: dajte najmenej 250 ml čerstvej smotany (predtým vychladenej v chladničke aspoň 8 hodín) .. Miešajte ju pri rýchlosti 4 až 6 asi 5 minút. Neprekračujte množstvo  $\frac{1}{2}$  výšky misky naliatej čerstvej smotany, aby ste mali dostatok miesta na šľahačku.

## POUŽITIE: Funkcia brúsky

1. Všetky potraviny nakrájajte na kúsky (odporúča sa bezšvové, vykostené a beztukové hovädzie alebo bravčové mäso, približná veľkosť: (20 mm x 20 mm x 60 mm), aby sa ľahko zmestili do drviacej trubice (17).

2. Pripojte zariadenie a zapnite a potom otočte gombík ovládania rýchlosti (8) na 4-6 rýchlosti.

3. Vložte jedlo do misky na mletie (16). Používajte na to iba plastový posúvač (6).

4. Po použití zariadenie vypnite a odpojte od zdroja napájania.

5. Nepoužívajte dlhšie ako 4 minúty nepretržite naraz.

6. Zariadenie je vybavené 3 sitami s otvormi s priemerom 3 mm, 5 mm a 7 mm, podľa vybranej dierovej dosky k požadovanej miske.

- 3 mm sito - jemná sieťovina na mletie na pomerne kompaktnú a jednotnú konzistenciu. Ideálne na plnenie a paštéty.

- 5 mm sitko - stredná sieťka na mletie mäsa na mleté rezne, hamburgery, fašírky a plnky do knedlí, palacínok a tortíl. Použitím tohto sitka môžete tiež zomlieť zeleninu, tvrdý syr a dokonca aj orechy.



7 mm sitko - hrubá sieťovina na mletie mäsa s výraznou štruktúrou. Sitko je určené na výrobu párkov a drobov.

## ZARIADENIE NA OCHRANU PRED TEPLOM

Zariadenie sa automaticky vypne po 15 minútach nepretržitej prevádzky, aby bol motor chránený pred prehriatím. Pred ďalším použitím zariadenie vypnite a nechajte vychladnúť. Po vychladnutí bude zariadenie fungovať normálne.

## ČISTENIE A ÚDRŽBA

1. Pred čistením zariadenia skontrolujte, či je napájací kábel odpojený od sieťovej zásuvky a či je ovládač rýchlosti v polohe „0“. Pred čistením nechajte zariadenie vychladnúť.
2. Demontujte všetko príslušenstvo z krytu motora (2). Nečistite príslušenstvo, pokiaľ je namontované na jednotke pohonu zariadenia.
3. Na čistenie krytu motora (2) nepoužívajte agresívne čistiace prostriedky, pretože môžu odstrániť informačné grafické symboly, ako napríklad: mierka, značky, bezpečnostné značky atď.
4. Kovové časti neumývajte v umývačkách riadu. Agresívne čistiace prostriedky používané v umývačkách riadu spôsobujú sčernanie kovových častí. Kovové časti umývajte ručne tradičným prostriedkom na umývanie riadu. Použite mäkkú kefu.
5. Vonkajšie časti utrite kuchynskou utierkou alebo mäkkou handričkou.
6. Na čistenie zariadenia nepoužívajte abrazívne materiály.
7. Neponárajte kryt motora ( ) do vody alebo iných kvapalín.

## TECHNICKÉ DÁTA

Napájanie: 220-240 V ~ 50/60 Hz

Výkon: 1200W

Maximálny výkon: 2 200 W.

Nerezová misa 7 litrov

Maximálna doba prevádzky v jednom cykle: 15 minút.

Minimálny čas odpočinku medzi cyklami: najmenej 10 minút



Skrbimo za okolje. Kartonska embalaža, prosim darovati na odpadni papir. Polietilenske vreče (PE) mečite v posoda za plastiko. Dotrajane naprave je treba vrniti na ustrezno zbirno mesto, ker vsebovane v napravo nevarne elemente lahko predstavljajo nevarnost za okolje. Električna naprava je treba vrniti kakor, da se omeji njegovo ponovno uporabo in izkoriščenost. Če naprava vsebuje baterio, je treba odstraniti in ločeno dati nazaj na mesta skladiščenja.

## СРПСКИ

### СИГУРНОСНИ УСЛОВИ. ВАЖНА УПУТСТВА О СИГУРНОСТИ КОРИШЋЕЊА МОЛИМО ВАС ПАЖЉИВО ПРОЧИТАЈТЕ И ЧУВАЈТЕ ЗА БУДУЋУ РЕФЕРЕНЦУ

Гарантни услови су различити, ако се уређај користи у комерцијалне сврхе.

1. Пре употребе производа, пажљиво прочитајте и увек се придржавајте следећих упутстава. Произвођач није одговоран за било какву штету насталу услед злоупотребе.
2. Производ се може користити само у затвореном простору. Не користите производ у сврхе које нису компатибилне са његовом применом.
3. Напон уређаја је 220-240В, ~ 50/60Хз. Из сигурносних разлога није прикладно повезивање више уређаја у једну утичницу.
4. Будите опрезни при употреби око деце. Не дозволите деци да се играју са

производом. Не дозволите деци или особама које не познају уређај да га користе без надзора.

5. УПОЗОРЕЊЕ: Овај уређај могу користити деца старија од 8 година и особе са смањеним физичким, сензорним или менталним способностима, или особе без искуства или знања о уређају, само под надзором особе одговорне за њихову безбедност, или ако су упућени у безбедну употребу уређаја и свесни су опасности повезаних са његовим радом. Деца се не би смела играти са уређајем. Чишћење и одржавање уређаја не би требало да изводе деца, осим ако су старија од 8 година и ако се те активности изводе под надзором.

6. Након што завршите са употребом производа, увек имајте на уму да пажљиво извучите утикач из утичнице држећи утичницу руком. Никада не вуците кабл за напајање !!!

7. Никада не остављајте производ прикључен на извор напајања без надзора. Чак и када је употреба на кратко прекинута, искључите је из мреже, искључите напајање.

8. Никада не стављајте кабл за напајање, утикач или цео уређај у воду. Никада не излажите производ атмосферским условима, као што је директно сунчево светло, киша итд. Никада не користите производ у влажним условима.

9. Повремено проверавајте стање кабла за напајање. Ако је кабл за напајање оштећен, производ би требало окренути на место професионалног сервиса како би се избегле опасне ситуације.

10. Никада немојте користити производ са оштећеним каблом за напајање, ако је испао или на неки други начин оштећен или ако не ради исправно. Не покушавајте сами поправити неисправни производ јер то може довести до струјног удара.

Оштећени уређај увек окрените на место професионалног сервиса како бисте га поправили. Све поправке могу извршити само овлашћени сервисери. Поправка која је извршена погрешно може изазвати опасне ситуације за корисника.

11. Никада не стављајте производ на или близу врућих или топлих површина или кухињских апарата, попут електричне пећнице или плинског горионика.

12. Никада не користите производ у близини запаљивих материја.

13. Не дозволите да кабел виси преко руба пулта или додирујте вруће површине.

14. Да би се обезбедила додатна заштита, препоручује се у струјни круг уградити уређај за заштиту од струјног удара (РЦД), са номиналном струјом не већом од 30 мА. По овом питању контактирајте професионалног електричара.

15. Уређај није намењен за индустријску прераду хране.

16. Не урањајте јединицу мотора у воду. Не перите у машинама за судове. Не излажите уређај и његову додатну опрему високим температурама (изнад 60 ° Ц).

17. Пре чишћења и уклањања прибора поставите контролу брзине у положај „0“ и извучите кабл за напајање.

18. Пре коришћења уређаја проверите да ли су сви делови и прибор правилно постављени:

- планетарни процесор хране: уверите се да је наставак потпуно уметнут у утичницу, у

супротно може утицати на резултат мешања.

- млин за месо: склоп за млевење треба пажљиво саставити. Нетачан склоп може узроковати лоше перформансе брушења и отупљивање ножа и отвора.

19. Користите само оригиналну додатну опрему испоручену са млином за месо и планетарним обрађивачем хране.

20. Не преоптерећујте уређај вишком производа нити га превише гурајте. За гурање производа користите само потискивач. Употребом других предмета можете оштетити млин за месо.

22. Месо које се меље не би требало да садржи кости, гњиде, тетиве или вене. Исеците веће делове на комаде.

23. Не прекривајте отворе за вентилацију у кућишту док је уређај укључен.

24. Не мељите суво маково семе. Маково семе је потребно попарити и намочити пре млевења.

25. Не прелазите  $\frac{3}{4}$  чиније високо када се напуне састојцима хране.

26. Чувајте уређај ван домаћаја деце.

Опис производа: Вишенаменски планетарни процесор хране AD4221

- |                            |  |
|----------------------------|--|
| 1. Рука кућишта            | 2. Кућиште мотора                                |
| 3. Поклопац против прскања | 4. Посуда за мешање 7,0 литара                   |
| 5. Предњи поклопац млинца  | 6. Пластични потискивач                          |
| 7. Дугме за нагиб          | 8. Дугме за контролу брзине                      |
| 9. Умутити јаја.           | 10. Мутљивач за мешање                           |
| 11. Квака за тесто         | 12. Матица за причвршћивање                      |
| 13. Сита 3, 5, 7мм         | 14. Нож за укрштање                              |
| 15. Црвени зупчаник        | 16. Ладица за уситњавање                         |
| 17. Комора за млевење      | 18. Мешалица за причвршћивање миксера са опругом |

#### ПРЕ ПРВЕ УПОТРЕБЕ

1. Сви делови уређаја морају бити темељно очишћени пре прве употребе. Погледајте одељак: „Чишћење и одржавање“.
2. Поставите уређај на хоризонталну и равну површину.
3. Никада не користите уређај без надзора.

4. Не додирујте покретне делове прстима. Оставите ротирајући прибор да се заустави пре него што отворите посуду.

**УПОЗОРЕЊЕ: НЕ КОРИСТИТЕ ФУНКЦИЈЕ МЕШАЊА И МЛЕЧЕЊА ИСТО ВРЕМЕ !! КОРИСТИТЕ САМО ЈЕДНУ ОД ЊИХ.**

- Када користите функцију мешања, предњи поклопац (5) треба да се налази на свом месту.
  - Када користите функцију уситњавања, посуда (4) са поклопцем против прскања (3) треба да буде постављена на њиховом месту како би заштитила крајњег корисника од окретања гнезда за причвршћивање миксера са опругом (18).
5. Искључите уређај и искључите га из напајања пре промене прибора.

НАЧИН МОНТАЖЕ: Функција миксера

Пре него што саставите процесор хране, проверите да ли је кабл за напајање извучен из утичнице и да је дугме за контролу брзине у положају "0".

1. Ставите посуду у моторну јединицу, а затим је окрећите у смеру казаљке на сату све док не осетите да се више не може

померити улево. Посуда је блокирана.

2. Одаберите одговарајући прикључак на потребну операцију:

- Пенасто умутити јаја (9): беланца, креме за тарту, шлаг итд.

- Мијешалица (10) за мијешање лаких смјеса: мајонеза, тијеста за палачинке, бисквита итд.

- Кука за тесто (11) за мешање тешког теста: тесто за хлеб, тесто од квасца итд.

3. Ставите одговарајући наставак (9 или 10 или 11) на вијак гнезда за причвршћивање миксера са опругом (18). Подесите положај два истурена метална елемента да уђу у конкавна места гнезда за причвршћивање миксера са опругом (18) - погледајте слику А. Гурните наставак нагоре док се опруга не стисне до краја, окрените до краја у смеру казаљке на сату и отпустите - погледајте слику Б.

4. Ставите састојке хране у чинију и притисните дугме за нагињање (7) надоле да бисте затворили држач кућишта (1).

5. Прикључите уређај и окрените дугме за брзину (8) за потребну брзину. Брзина 0 значи да је мотор заустављен, брзина 1 значи најмању брзину, брзина 6 значи максималну ротацију. П - значи импулсни начин рада, значи импулсно ротирање зупчаника када се дугме (8) држи у положају импулса.

6. Након употребе искључите уређај окретањем дугмета за брзину (8) у положај 0 и искључите уређај.

7. Притисните дугме за нагињање (7) надоле да бисте подигли држач кућишта (1). Ако је мешавина исправна, уклоните наставак. Да бисте уклонили додаток, мало га подигните да потпуно стиснете опругу, затим окрените цео наставак на леву страну и повуците га надоле.

8. Окрените посуду (4) у смеру супротном од казаљке на сату и уклоните је из кућишта мотора (2) држећи је обема рукама.

Запамтите да чинија може бити тешка.

НАЧИН МОНТАЖЕ: Функција брусанице

1. Ставите посуду (4) на кућиште мотора (2) и затворите полуку кућишта (1) притиском на дугме за нагињање (7). Не састављајте никакве додатке унутар посуде (4). Потребно је да вас заштити од ротирања гнезда за причвршћивање миксера са опругом (18). Нормално је да се гнездо за причвршћивање миксера са опругом (18) ротира унутар посуде када се користи машина за млевење.

2. Скините предњи поклопац (5) да бисте поставили брусаницу.

3. Унутар коморе за уситњавање (17) поставите пужни зупчаник (15), а затим поравнајте попречно сечиво за уситњавање (14).

Пазите да поставите исправну страну, као што је приказано на слици Ц. Затим поставите одговарајуће сито (13) и НА крају лагано заврните причврсну матицу (12).

НАПОМЕНА: причврсну матицу (12) потребно је ЛАКО зашрафити пре него што саставите целу јединицу за млевење на кућиште мотора (2). Потребно је положај шестерокутне рупе (слика Д1) у јединици за уситњавање прилагодити шестерокутном вратилу у кућишту мотора (2).

4. Поставите јединицу за млевење у положај приказан на слици Д3 (положај нагиба), гурните је у кућиште мотора (2) и окрените лево у вертикални положај приказан на слици Д4. Црно округло дугме близу јединице за млевење вратиће се у истурени положај. Сада чврсто заврните причврсну матицу (12).

5. Монтирајте лежиште за млевење (16) на врх коморе за млевење (17).

6. Да бисте демонтирали јединицу за млевење, притисните црно округло дугме обрнутим редоследом.

УПОТРЕБА: Функција миксера

• Мешање тешког теста (тесто за хлеб, тесто од квасца итд.)

Саставите куку за тесто (11). У посуду ставите састојке хране. Предложени оброк брашна и воде је: 5: 3. Максимална количина брашна: 1500г. Препоручује се непрестано мешање при брзини 1 или 2 не дуже од 20 секунди. Затим подесите брзину 3 и радите не дуже од 4 минуте непрекидно.

- Мешање лаких смеша (мајонез, тесто за палачинке, бисквит итд.)

Саставите мешалицу (10). Састојке за храну ставите у чинију до највише  $\frac{3}{4}$  висине посуде. Укључите брзину 3-4 и мешајте колико год је потребно да бисте постигли жељену густину. Не користите непрекидно дуже од 4 минута.

- Шлаг (беланца, креме за тарту, шлаг итд.)

Саставите пенасто јаје (9).

За умућење беланца: Белање ставите у чинију на највише 24 јаја. Укључите брзину 4-6 и мешајте, око 5 минута док се не степне. Време мешања зависи од величине јаја.

За шлаг: ставите најмање 250 мл свеже павлаке (претходно охлађене у фрижидеру најмање 8 сати). Мешајте на брзини 4 до 6 око 5 минута. Не прелазите количину  $\frac{1}{2}$  висине чиније сипане свеже павлаке да бисте имали довољно простора за шлаг.

УПОТРЕБА: Функција брусилце

1. Исеците сву храну на комаде (препоручује се говеђе или свињско месо без жила, костију и масти, отприлике величине: (20 мм к 20 мм к 60 мм,) тако да се лако уклапају у цев за мљење (17).
2. Прикључите уређај и укључите га, а затим окрените дугме за контролу брзине (8) на 4-6 брзина.
3. Убаците храну у лежиште за мљење (16). За то користите само пластични потискивач (6).
4. Након употребе искључите уређај и извучите га из напајања.
5. Не користите непрекидно дуже од 4 минута.
6. Уређај је опремљен са 3 сита са рупама пречника 3 мм, 5 мм и 7 мм, изабрао је одговарајућу плочу са рупама према вашем јелу.

- сито од 3 мм - фина мрежа за брушење до прилично компактне, уједначене конзистенције. Савршено за пуњење и паштету.

- Цедило од 5 мм - средња мрежа за мљење меса за млене котлете, хамбургере, полпете и филове за кнедле, палачинке и тортиље. Коришћењем овог цедила можете млевати и поврће, тврди сир, па чак и орахе.

- Сита 7 мм - дебела мрежа за мљење меса са израженом структуром. Цједило је намијењено за производњу кобасица и дробњака.

УРЕЂАЈ ЗА ЗАШТИТУ ОД ПРЕГРЕВАЊА

Уређај ће се аутоматски искључити након 15 минута непрекидног рада како би заштитио мотор од прегревања. Уређај морате искључити и оставити да се охлади пре следеће употребе. Уређај ће се охладити нормално радити.

ЧИШЋЕЊЕ И ОДРЖАВАЊЕ

1. Пре чишћења уређаја, проверите да ли је кабл за напајање извучен из утичнице и да је дугме за контролу брзине у положају "0". Пустите да се уређај охлади пре чишћења.
2. Раставите сву додатну опрему из кућишта мотора (2). Не чистите прибор док је монтиран на склоп погона машине.
3. Немојте чистити кућиште мотора (2) агресивним детерџентима јер могу уклонити информативне графичке симболе као што су: вага, знакови, сигурносне ознаке итд.
4. Не перите металне делове у машинама за судове. Агресивна средства за чишћење која се користе у машинама за прање судова узрокују да метални делови поцрне. Оперите ручно металне делове користећи традиционалну течност за прање посуђа. Користите меку четку.
5. Обришите спољне делове кухињским пешкиром или меком крпом.
6. Немојте чистити уређај абразивним материјалима.
7. Не урањајте кућиште мотора ( ) у воду или друге течности.

## ТЕХНИЧКИ ПОДАЦИ

Напајање: 220-240В ~ 50/60Хз

Снага: 1200В

Максимална снага: 2200В

Посуда од нерђајућег челика 7 литара

Максимално време рада у једном циклусу: 15 минута.

Минимално време одмора између циклуса: најмање 10 минута



За заштиту животне средине: молимо вас да одвојите картонске кутије и пластичне кесе и одложите их у одговарајуће канте за смеће. Коришћени уређај треба да буде испоручен на наменске сакупљане тачке због озбирих компоненти, што може утицати на животну средину. Немојте одлагати овај уређај у заједничку корпу за отпатке.

## УКРАЊНСЬКА

### УМОВИ БЕЗПЕКИ. ВАЖЛИВИ ВКАЗІВКИ З БЕЗПЕКИ ВИКОРИСТАННЯ ПРОЧИТАЙТЕ УВАЖНО І БЕРЕЖІТЬ ДЛЯ МАЙБУТНЬОЇ ДОВІДКИ

Гарантійні умови відрізняються, якщо пристрій використовується в комерційних цілях.

1. Перед використанням продукту уважно прочитайте та завжди дотримуйтеся наведених нижче вказівок. Виробник не несе відповідальності за будь-які пошкодження внаслідок будь-якого неправильного використання.
2. Продукт можна використовувати тільки в приміщенні. Не використовуйте виріб у будь-яких цілях, несумісних з його застосуванням.
3. Напруга пристрою 220-240В, ~ 50/60Гц. З міркувань безпеки недоцільно підключати кілька пристроїв до однієї розетки.
4. Будьте обережні при використанні з дітьми. Не дозволяйте дітям грати з виробом. Не дозволяйте дітям або людям, які не знають пристрою, користуватися ним без нагляду.
5. ПОПЕРЕДЖЕННЯ: Цей пристрій може використовуватися дітьми старше 8 років та особами зі зниженими фізичними, сенсорними або розумовими можливостями, або особами без досвіду та знань про пристрій, лише під наглядом особи, відповідальної за їх безпеку, або якщо вони отримали вказівки щодо безпечного використання пристрою та усвідомлюють небезпеки, пов'язані з його експлуатацією. Діти не повинні грати з пристроєм. Очищення та обслуговування приладу не повинні проводити діти, якщо вони не досягли 8-річного віку, і ці заходи проводяться під наглядом.
6. Після завершення використання виробу завжди пам'ятайте, що обережно витягніть вилку з розетки, тримаючи розетку рукою. Ніколи не тягніть за кабель живлення !!!
7. Ніколи не залишайте виріб підключеним до джерела живлення без нагляду. Навіть якщо користування переривається на короткий час, вимкніть його з мережі та відключіть живлення.
8. Ніколи не кладіть у воду кабель живлення, вилку чи весь пристрій. Ніколи не піддавайте виріб атмосферним умовам, таким як пряме сонячне світло, дощ тощо. Ніколи не використовуйте виріб у вологих умовах.
9. Періодично перевіряйте стан кабелю живлення. Якщо кабель живлення

пошкоджений, виріб слід повернути до місця професійного обслуговування для заміни, щоб уникнути небезпечних ситуацій.

10. Ніколи не використовуйте виріб із пошкодженим кабелем живлення, його падінням або пошкодженням будь-яким іншим способом або якщо він не працює належним чином. Не намагайтесь самостійно відремонтувати дефектний виріб, оскільки це може призвести до ураження електричним струмом. Завжди повертайте пошкоджений пристрій у місце професійного обслуговування, щоб відремонтувати його. Всі ремонтні роботи можуть виконувати тільки авторизовані спеціалісти сервісного центру. Неправильно зроблений ремонт може спричинити небезпечні ситуації для користувача.

11. Ніколи не кладіть виріб на гарячі або теплі поверхні або біля них, наприклад, електричну духовку або газовий пальник або близько до них.

12. Ніколи не використовуйте виріб поблизу горючих речовин.

13. Не дозволяйте шнуру звисати над краєм лічильника та торкатися гарячих поверхонь.

14. Для забезпечення додаткового захисту рекомендується встановити в ланцюг живлення пристрій захисту від струму (УЗО) з номінальним струмом залишкового струму не більше 30 мА. З цього питання зверніться до професійного електрика.

15. Пристрій не призначений для промислової переробки харчових продуктів.

16. Не занурюйте двигун у воду. Не мити в посудомийних машинах. Не піддавайте пристрій та його аксесуари високим температурам (вище 60 ° C).

17. Перед чищенням та зняттям аксесуарів встановіть регулятор швидкості в положення «0» та від'єднайте кабель живлення.

18. Перед експлуатацією пристрою перевірте, чи всі частини та аксесуари встановлені належним чином:

- планетарний кухонний комбайн: переконайтеся, що насадка повністю вставлена в розетку, інакше це може вплинути на результат змішування.

- м'ясорубка: шліфувальний вузол потрібно ретельно зібрати. Неточна збірка може спричинити погані показники шліфування та притуплення ножа та отвору.

19. Використовуйте лише оригінальні аксесуари, що постачаються разом з м'ясорубкою та планетарним кухонним комбайном.

20. Не перевантажуйте пристрій надлишковим продуктом або надто сильно засовуйте виріб. Використовуйте лише штовхач для заштовхування продукту. Використання інших предметів може пошкодити м'ясорубку.

22. М'ясо, що подрібнюється, повинно бути вільним від кісток, щетинок, сухожил'я або жилок. Наріжте великі частини на шматочки.

23. Не закривайте вентиляційні отвори в корпусі, коли пристрій увімкнено.

24. Не перетирайте сухе макове зерно. Перед помелом макове зерно потрібно розпарити і замочити.

25. Не наповнюйте  $\frac{3}{4}$  чаші висотою, коли наповнюєте її харчовими інгредієнтами.

26. Зберігайте пристрій у недоступному для дітей місці.

Опис продукту: Багатофункціональний планетарний кухонний комбайн Ad4221

- |                              |   |
|------------------------------|---|
| 1. Кронштейн корпусу         | 2. Корпус двигуна                       |
| 3. Кришка проти бризок       | 4. Змішувальна чаша 7,0 л               |
| 5. Передня кришка м'ясорубки | 6. Пластиковий штовхач                  |
| 7. Ручка нахилу              | 8. Ручка регулювання швидкості          |
| 9. Яєчний збивач             | 10. Змішувач для змішування             |
| 11. Гачок для тіста          | 12. Кріпежна гайка                      |
| 13. Сіта 3, 5, 7 мм          | 14. Поперечне лезо                      |
| 15. Червячний механізм       | 16. Лоток для подрібнення               |
| 17. Камера для подрібнення   | 18. Гніздо кріплення міксера з пружиною |

#### ПЕРЕД ПЕРШИМ ВИКОРИСТАННЯМ

1. Перед першим використанням усі частини пристрою слід ретельно очистити. Див. Розділ: «Чищення та обслуговування».
2. Встановіть пристрій на горизонтальній і рівній поверхні.
3. Ніколи не експлуатуйте пристрій без нагляду.
4. Не торкайтесь пальцями рухомих частин. Перед тим як відкрити чашу, дозвольте обертовим аксесуарам зупинитися.

**ПОПЕРЕДЖЕННЯ: НЕ ВИКОРИСТОВУВАЙТЕ ФУНКЦІЇ ЗМІШУВАННЯ ТА РОЗМІКУВАННЯ ОДНОЧАСНО !! ТІЛЬКИ ВИКОРИСТОВУЙТЕ ОДИН З ІХ.**

- При використанні функції змішування передня кришка (5) повинна бути розташована на своєму місці.
  - При використанні функції подрібнення чаша (4) з кришкою проти бризок (3) повинна бути розташована у своєму положенні для захисту кінцевого користувача від обертання гнізда кріплення змішувача за допомогою пружини (18).
5. Перед заміною аксесуарів вимкніть пристрій і від'єднайте його від електроживлення.

#### СПОСІБ ЗБОРКИ: Функція змішувача

Перш ніж збирати кухонний комбайн, переконайтесь, що шнур живлення від'єднаний від розетки, а ручка регулювання швидкості знаходиться в положенні "0".

1. Помістіть чашу в двигун, потім поверніть її за годинниковою стрілкою, поки не відчуєте, що вона більше не може рухатися ліворуч. Чаша заблокована.
2. Виберіть належне кріплення до необхідної операції:
  - Збивання яєць (9) для збивання: яєчні білки, креми для тістечок, збиті вершки тощо.
  - Змішувач (10) для замішування легких сумішей: майонезу, тіста для млинців, бісквіта тощо.
  - Гачок для тіста (11) для замішування важкого тіста: тісто для хліба, дріжджове тісто тощо.
3. Вставте належне кріплення (9 або 10 або 11) на болт гнізда кріплення змішувача з пружиною (18). Відрегулюйте положення двох виступаючих металевих елементів, щоб вони потрапляли всередину увігнутих місць гнізда кріплення змішувача з пружиною (18) - подивіться на малюнок А. Натисніть на навісне обладнання вгору, поки пружина не буде повністю стиснута, поверніть повністю за годинниковою стрілкою та відпустіть - подивіться на малюнок В .
4. Покладіть харчові інгредієнти в миску і натисніть ручку нахилу (7) вниз, щоб закрити кронштейн корпусу (1).
5. Вставте пристрій у розетку та поверніть регулятор швидкості (8) на необхідну швидкість. Швидкість 0 означає зупинку двигуна, швидкість 1 означає найменшу швидкість, швидкість 6 означає максимальне обертання. P - означає імпульсний режим, це означає імпульсне обертання шестерень, коли ручка (8) утримується в положенні імпульсу.
6. Після використання вимкніть пристрій, повернувши ручку швидкості (8) у положення 0 і вимкніть пристрій.
7. Натисніть ручку нахилу (7) вниз, щоб підняти кронштейн корпусу (1). Якщо змішана суміш правильна, зніміть насадку. Щоб



зняти навісне обладнання, трохи підніміть його, щоб повністю стиснути пружину, потім поверніть лівий бік цілого навісного пристрою і потягніть його вниз.

8. Поверніть чашу (4) проти годинникової стрілки і вийміть її з корпусу двигуна (2), утримуючи її обома руками. Пам'ятайте, що миска може бути важкою.

**ШЛЯХ ЗБОРКИ:** Функція шліфувальної машини

1. Помістіть чашу (4) на корпус двигуна (2) і закрийте кронштейн корпусу (1), натиснувши ручку нахилу (7). Не збирайте ніяких насадок всередині чаші (4). Необхідно захистити вас від обертання гнізда кріплення змішувача пружиною (18). Звичайне гніздо кріплення змішувача з пружиною (18) обертається всередині чаші під час використання м'ясорубки.

2. Зніміть передню кришку (5), щоб налаштувати шліфувальну машинку.

3. У камері для подрібнення (17) встановіть черв'ячну передачу (15), а потім покладіть поперечну лопатку для подрібнення (14) правильно. Зверніть увагу на правильну сторону, як показано на малюнку С. Потім покладіть відповідне сито (13) і ЛЕГКО прикрутіть кріпильну гайку (12) в кінці.

**ПРИМІТКА:** фіксуючу гайку (12) необхідно ГВОРТИВАТИ ЛЕГКО ПЕРЕД тим, як зібрати весь блок подрібнення до корпусу двигуна (2). Необхідно відрегулювати положення шестигранного отвору (малюнок D1) в установці для подрібнення до шестигранного вала в корпусі двигуна (2).

4. Помістіть агрегат м'ясорубки в положення, показане на малюнку D3 (положення під нахилом), просуньте його всередину корпусу двигуна (2) і поверніть ліворуч у вертикальне положення, як показано на малюнку D4. Чорна кругла кнопка, розташована біля агрегату м'ясорубки, повернеться у виступаюче положення. Тепер міцно закрутіть кріпильну гайку (12).

5. Встановіть лоток для подрібнення (16) на верхню частину камери для подрібнення (17).

6. Щоб демонтувати агрегат м'ясорубки, натисніть чорну круглу кнопку в зворотному порядку.

**ВИКОРИСТАННЯ:** Функція змішувача

• Замішування важкого тіста (тісто для хліба, дріжджове тісто тощо)

Зберіть гачок для тіста (11). Покладіть харчові інгредієнти всередину миски. Рекомендований раціон борошна та води: 5: 3. Максимальна кількість борошна: 1500 г. Рекомендується починати замішування на швидкості 1 або 2 протягом не більше 20 секунд безперервної роботи. Далі встановіть швидкість 3 і працюйте не більше 4 хвилин безперервно.

• Змішування легких сумішей (майонез, тісто для млинців, бісквіт тощо)

Зберіть змішувач (10). Покладіть харчові інгредієнти всередину миски максимум на  $\frac{3}{4}$  висоти. Увімкніть швидкість 3-4 і перемішуйте стільки часу, скільки потрібно, щоб досягти бажаної густоти. Використовуйте одночасно не більше 4 хвилин безперервно.

• Збивання (яєчні білки, креми для тістечок, збиті вершки тощо)

Зберіть яєчний віночок (9).

Для збивання яєчних білків: Помістіть білки всередину миски не більше 24 яєць. Увімкніть швидкість 4-6 і перемішайте, приблизно 5 хвилин, поки не стане твердим. Час перемішування залежить від розміру яєць.

Для збитих вершків: покладіть щонайменше 250 мл свіжих вершків (попередньо охолоджених у холодильнику не менше 8 годин). Перемішайте на швидкості 4-6 приблизно 5 хвилин. Не перевищуйте кількість  $\frac{1}{2}$  висоти чаші налитих свіжих вершків, щоб залишити достатньо місця для збитих вершків.

**ВИКОРИСТАННЯ:** Функція шліфувальної машини

1. Наріжте всі продукти на шматки (рекомендується яловичина чи свинина без кісток, без кісток та свинини, приблизно розміру: (20 мм x 20 мм x 60 мм)), щоб вони легко поміщалися у трубу для подрібнення (17).

2. Підключіть пристрій до мережі та увімкніть, а потім поверніть ручку регулювання швидкості (8) на 4-6 швидкостей.
3. Подайте їжу в лоток для подрібнення (16). Використовуйте для цього тільки пластиковий штовхач (6).
4. Після використання вимкніть пристрій і від'єднайте його від джерела живлення.
5. Використовуйте одночасно не більше 4 хвилин безперервно.
6. Пристрій оснащений 3 ситами з отворами діаметром 3 мм, 5 мм і 7 мм, вибрано відповідну пластину з отвором до вашої страви.
  - сито 3 мм - тонка сітка для подрібнення до досить компактної, однорідної консистенції. Ідеально підходить для фаршу та паштету.
  - ситечко 5 мм - середня сітка для подрібнення м'яса для котлет, котлет, фрикадельок та начинки для пельменів, млинців та коржів. Використовуючи це ситечко, ви також можете подрібнити овочі, твердий сир і навіть горіхи.
  - ситечко 7 мм - товста сітка для подрібнення м'яса з чітко вираженою структурою. Сітчастий фільтр призначений для виробництва ковбас та надра.

#### ПРИСТРІЙ ЗАХИСТУ від перегріву

Пристрій автоматично вимикається через 15 хвилин безперервної роботи, щоб захистити двигун від перегріву. Перед наступним використанням потрібно відключити пристрій і дати йому охолонути. При охолодженні пристрій буде працювати нормально.

#### ОЧИЩЕННЯ ТА ОБСЛУГОВУВАННЯ

1. Перед чищенням пристрою переконайтесь, що шнур живлення від'єднаний від розетки, а ручка регулювання швидкості знаходиться в положенні "0". Перед чищенням дайте пристрою охолонути.
2. Розберіть усі аксесуари з корпусу двигуна (2). Не чистіть аксесуари, встановлені на приводі машини.
3. Не використовуйте агресивні миючі засоби для чищення корпусу двигуна (2), оскільки це може видалити інформаційні графічні символи, такі як: масштаб, знаки, знаки безпеки тощо.
4. Не мийте металеві деталі в посудомийній машині. Агресивні миючі засоби, що використовуються в посудомийних машинах, спричиняють чорніння металевих деталей. Мийте металеві деталі вручну традиційним миючим засобом. Використовуйте м'яку щітку.
5. Протріть зовнішні частини кухонним рушником або м'якою тканиною.
6. Не використовуйте абразивні матеріали для чищення пристрою.
7. Не занурюйте корпус двигуна ( ) у воду або інші рідини.

#### ТЕХНІЧНІ ДАНІ

Джерело живлення: 220-240 В ~ 50/60 Гц

Потужність: 1200 Вт

Максимальна потужність: 2200 Вт

Чаша з нержавіючої сталі 7 літрів

Максимальний час роботи за один цикл: 15 хвилин.

Мінімальний час відпочинку між циклами: не менше 10 хвилин



У інтересах навколишнього середовища.

Будь ласка, віддайте картонну упаковку в місце збору мукулатури. Політиленові мішки (PE) викинути в смітник для пластику. Відпрацьований пристрій повинен бути відправлений у відповідну точку зберігання, тому що в пристрої є небезпечні інгредієнти, які можуть становити загрозу навколишньому середовищу. Електричний пристрій потрібно повернути так, щоб обмежити його повторне використання. Якщо у пристрої є батарейки, то потрібно їх витягнути і віддати до відповідного пункту.

- شروط السلامة. تعليمات مهمة حول سلامة الاستخدام يرجى القراءة بعناية والاحتفاظ بها للرجوع إليها في المستقبل. تختلف شروط الضمان إذا تم استخدام الجهاز لأغراض تجارية قبل استخدام المنتج ، يرجى القراءة بعناية والالتزام دائماً بالإرشادات التالية. الشركة المصنعة ليست مسؤولة عن أي أضرار ناتجة عن أي سوء استخدام يستخدم المنتج في الداخل فقط. لا تستخدم المنتج لأي غرض لا يتوافق مع تطبيقه.
1. جهد الجهاز 220-240 فولت ، ~ 50/60 هرتز. لأسباب تتعلق بالسلامة ، ليس من المناسب توصيل أجهزة متعددة بمأخذ طاقة واحد.
  2. يرجى توخي الحذر عند استخدام حول الأطفال. لا تدع الأطفال يلعبون بالمنتج. لا تدع الأطفال أو.
  3. الأشخاص الذين لا يعرفون الجهاز لاستخدامه دون إشراف
  4. تحذير: يمكن استخدام هذا الجهاز من قبل الأطفال الذين تزيد أعمارهم عن 8 سنوات والأشخاص الذين يعانون من ضعف القدرات البدنية أو الحسية أو العقلية ، أو الأشخاص الذين ليس لديهم خبرة أو معرفة بالجهاز ، فقط تحت إشراف شخص مسؤول عن سلامتهم ، أو إذا تم إرشادهم بشأن الاستخدام الآمن للجهاز وكانوا على دراية بالمخاطر المرتبطة بتشغيله. يجب ألا يلعب الأطفال بالجهاز. لا ينبغي أن يقوم الأطفال بتنظيف الجهاز وصيانته ، إلا إذا كان عمرهم أكبر من 8 سنوات ويتم تنفيذ هذه الأنشطة تحت إشراف.
  5. بعد الانتهاء من استخدام المنتج ، تذكر دائماً إزالة القابس برفق من مأخذ الطاقة الذي يمسك المنفذ بيدك !!! لا تسحب كابل الطاقة أبداً
  6. لا تترك المنتج متصلاً بمصدر الطاقة بدون إشراف. حتى عند انقطاع الاستخدام لفترة قصيرة ، قم.
  7. بإيقاف تشغيله من الشبكة ، وافصل الطاقة
  8. لا تضع أبداً كبل الطاقة أو القابس أو الجهاز بأكمله في الماء. لا تعرض المنتج أبداً للظروف الجوية مثل ضوء الشمس المباشر أو المطر وما إلى ذلك. لا تستخدم المنتج أبداً في الظروف الرطبة
  9. افحص حالة كبل الطاقة بشكل دوري. في حالة تلف كبل الطاقة ، يجب تحويل المنتج إلى موقع خدمة. احترافي لاستبداله لتجنب المواقف الخطرة
  10. لا تستخدم المنتج أبداً مع كبل طاقة تالف أو في حالة سقوطه أو تلفه بأي طريقة أخرى أو إذا كان لا يعمل بشكل صحيح. لا تحاول إصلاح المنتج المعيب بنفسك لأنه قد يؤدي إلى حدوث صدمة كهربائية. قم دائماً بتحويل الجهاز التالف إلى موقع خدمة احترافي لإصلاحه. لا يمكن إجراء جميع الإصلاحات إلا بواسطة متخصصي الخدمة المعتمدين. قد يتسبب الإصلاح الذي تم بشكل غير صحيح في حدوث مواقف خطيرة للمستخدم
  11. لا تضع المنتج على الأسطح الساخنة أو الدافئة أو بالقرب منها أو أدوات المطبخ مثل الفرن الكهربائي أو الموقد الغازي
  12. لا تستخدم المنتج بالقرب من المواد القابلة للاحتراق
  13. لا تدع السلك يتدلى على حافة العداد أو تلمس الأسطح الساخنة
  14. في دائرة الطاقة ، مع تصنيف (RCD) من أجل توفير حماية إضافية ، يوصى بتركيب جهاز بقايا التيار. تيار متبقي لا يزيد عن 30 مللي أمبير. اتصل بالكهربائي المحترف في هذا الشأن
  15. الجهاز غير مخصص للتصنيع الغذائي
  16. لا تغمر وحدة المحرك في الماء. لا تغسل في غسالات الصحون. لا تعرض الجهاز وملحقاته لدرجات حرارة عالية (فوق 60 درجة مئوية)
  17. قبل تنظيف الملحقات وفكها ، اضبط مفتاح التحكم في السرعة على الوضع "0" وافصل كبل الطاقة
  18. قبل تشغيل الجهاز ، تأكد من تركيب جميع الأجزاء والملحقات بشكل صحيح
  19. معالج الطعام الكوكبي: تأكد من إدخال الملحق بالكامل في المقبس ، وإلا فقد تتأثر نتيجة الخلط -

- مفرمة اللحم: يجب تجميع مجموعة الطحن بعناية. يمكن أن يتسبب التجميع غير الدقيق في ضعف أداء - الطحن وتقليص لوحة السكين والتقوب
- استخدم فقط الملحقات الأصلية المزودة مع مفرمة اللحم ومحضر الطعام الكوكبي 19.
- لا تفرط في تحميل الجهاز بالمنتج الزائد أو تدفع المنتج بقوة شديدة. استخدم أداة الدفع فقط لدفع المنتج 20.
- إلى الداخل. قد يؤدي استخدام شيء آخر إلى إتلاف مفرمة اللحم
- يجب أن يكون اللحم المفروم خاليًا من العظام أو الشرائط أو الأوتار أو الأوردة. قطع الأجزاء الكبيرة 22.
- إلى قطع

- لا تغطي فتحات التهوية في السكن أثناء تشغيل الجهاز 23.
- لا تطحن بذور الخشخاش الجافة. تحتاج بذور الخشخاش إلى التبخير ونقعها قبل طحنها 24.
- لا تتجاوز وعاء مرتفع عند ملئه بمكونات الطعام 25.
- قم بتخزين الجهاز بعيدًا عن متناول الأطفال 26.

AD4221 وصف المنتج: معالج طعام كوكبي متعدد الوظائف

1. ذراع الإسكان
2. إسكان المحرك
3. غطاء مضاد لتناثر السوائل
4. وعاء خلط ٧٠٠ لتر - ٤
5. الغطاء الأمامي للمفرمة
6. دافع البلاستيك
7. مقبض الإمالة
8. مقبض التحكم في السرعة
9. خفقت البيض
10. خلط الخافق
11. خطاف العجين
12. صامولة التثبيت
13. المناخل ٣ ، ٥ ، ٧ مم -
14. عبر شفرة Mincing
15. معدات دودة
16. صينية فرم
17. حجرة الفرغ
- العش مرفق الخلاط مع الربع ١٨

قبل الاستخدام الأول

1. "يجب تنظيف جميع أجزاء الجهاز جيدًا قبل استخدامه لأول مرة. انظر قسم "التنظيف والصيانة".
2. ضع الجهاز على سطح أفقي ومستو.
3. لا تقم بتشغيل الجهاز بدون إشراف.
4. لا تلمس الأجزاء المتحركة بأصابعك. اترك الملحقات الدوارة تتوقف قبل فتح الوعاء.
- تحذير: لا تستخدم وظائف الخلط والتعدين في نفس الوقت !! استخدم واحدًا منهم فقط عند استخدام وظيفة الخلط ، يجب وضع الغطاء الأمامي (5) في موضعه .
- عند استخدام وظيفة الفرغ ، يجب وضع الوعاء (4) المزود بغطاء مضاد لتناثر السوائل (3) في موضعه لحماية المستخدم النهائي من دوران عش مرفق (18) الخلاط مع الزنبرك
- أوقف تشغيل الجهاز وافصل التيار الكهربائي قبل تغيير الملحقات 5.

طريقة التجميع: وظيفة الخلاط

1. "قبل تجميع محضر الطعام ، تأكد من فصل سلك الطاقة من مأخذ الطاقة ومقبض التحكم في السرعة على الوضع "0".
- ضع الوعاء في وحدة المحرك ، ثم لفه في اتجاه عقارب الساعة حتى تشعر أنه لا يمكنه التحرك أكثر إلى اليسار. الوعاء مسدود.
- اختر المرفق المناسب للعملية المطلوبة 2:
- مضرب بيض (9) للخلق: يبيض بيض ، كريمة كيك ، كريمة مخفوقة ، إلخ -
- مضرب خلط (10) لخلط المخاليل الخفيفة: مايونيز ، عجينة فطيرة ، كعكة إسفنجية ، إلخ -
- خطاف العجين (11) لعجن العجين الثقيل: عجينة الخبز ، عجينة الخميرة ، إلخ -
3. ضع المرفق المناسب (9 أو 10 أو 11) على مسمار عش مرفق الخلاط مع الزنبرك (18). اضبط موضع عنصرين معدنيين بارزين للدخول إلى الأماكن المقعرة لعش مرفق الخلاط مع الزنبرك (18) - انظر إلى الصورة أ. ادفع المرفق لأعلى حتى يتم ضغط الزنبرك بالكامل ، ثم أدبه تمامًا في اتجاه عقارب الساعة ثم حرره - انظر إلى الصورة ب
4. (1) ضع مكونات الطعام في الوعاء واضغط على مقبض الإمالة (7) لأسفل لإغلاق ذراع المبيت 4.
5. قم بتوصيل الجهاز وقم بتدوير مقبض السرعة (8) للسرعة المطلوبة. السرعة 0 تعني توقف المحرك ، والسرعة 1 تعني أبطأ سرعة ، والسرعة 6 تعني 0. تعني وضع البيض ، وتعني دوران البيض للتروس عندما يكون المقبض (8) في وضع النضج - P. أقصى دوران
- بعد الاستخدام ، قم بإيقاف تشغيل الجهاز عن طريق تدوير مقبض السرعة (8) إلى الوضع 0. وقم بتوصيل الجهاز 6.
- اضغط على مقبض الإمالة (7) لأسفل لرفع ذراع المبيت (1). إذا كان الخليط المختلط صحيحًا ، فقم بإزالة الملحق. لسحب المرفق ، ارفعه قليلاً لضغط 7.
- الزنبرك تمامًا ، ثم لف الجزء الأيسر بالكامل من المرفق واسحب لأسفل

أ. الوعاء (٤) عكس اتجاه عقارب الساعة وقم بإزالة القهقه من مبيت المحرك (٢) عن طريق الإمساك بكلتا يديك. تذكر أن الوعاء يمكن أن يكون ثقيلًا ٨.

طريقة التجميع: وظيفة المطحنة

ضع الوعاء (٤) على مبيت المحرك (٢) وأغلق ذراع المبيت (١) بالضغط على مقبض الإمالة (٧). لا تقم بتجميع أي ملحقات داخل الوعاء (٤). من ١- الضوروري حمايتك من تدوير عش مرفق الخلاط مع الزنبرك (١٨). من الطبيعي أن يتم تدوير العش المزود بزنبرك (١٨) للخلاط داخل الوعاء عند استخدام المفرمة.

أرفع الغطاء الأمامي (٥) بعيدًا لإعداد المطحنة ٢

داخل حجرة الفرغ (١٧) ضع الترس الدودي (١٥) ، ثم ضع نصل الفرغ المتقاطع (١٤) بشكل صحيح. انتبه لوضعه على الجانب الصحيح ، كما هو موضح ٣. في الصورة ج. بعد ذلك ، ضع المنخل المناسب (١٣) وقم بلف صمولة التثبيت برفق (١٢) في النهاية

ملاحظة: يجب ربط صمولة التثبيت (١٢) ببراعي خفيفة قبل تجميع وحدة الفرغ بالكامل في مبيت المحرك (٢). يلزم تعديل موضع الفتحة السداسية (الصورة ١). وفي وحدة الفرغ إلى العمود السداسي في مبيت المحرك (٢) D1

وإدفعها داخل مبيت المحرك (٢) ثم انعطف بيسارًا إلى الوضع الرأسي الموضح ، موضع المنحدر) D3 ضع وحدة المفرمة في الوضع الموضح في الصورة ٤. سيعدو الزر الأسود الدائري القريب من وحدة المفرمة إلى الوضع البارز. برغي صمولة التثبيت (١٢) الآن بإحكام. D4 في الصورة

(١٧) قم بتثبيت صينية الفرغ (١٦) أعلى حجرة الفرغ .

٦. لتفكيك وحدة المفرمة ، اضغط على الزر الأسود الدائري بترتيب عكسي .

الاستخدام: وظيفة الخلاط

عجن العجين الثقيل (عجينة الخبز ، عجينة الخميرة ، الخ) •

قم بتجميع خفاف العجين (١١). ضع مكونات الطعام داخل الوعاء. نسبة الطحين والماء المقترحة هي: ٥: ٣. الحد الأقصى لكمية الدقيق: ١٥٠٠ جرام. بوصى بهذه المعدن بسرعة ١ أو ٢ لمدة لا تزيد عن ٢٠ ثانية بالتشغيل المستمر. بعد ذلك ، قم بإعداد السرعة ٣ ولا تعمل أكثر من ٤ دقائق متواصلة في كل مرة

خلط المخاليط الخفيفة (المايونيز ، خليط البانايك ، الكيك الإسفنجي ، الخ) •

قم بتجميع مضرب الخلط (١٠). ضع مكونات الطعام داخل الوعاء على ارتفاع كحد أقصى. قم بتشغيل السرعة ٣-٤ واخلط ما دامت تحتاجه لتحقيق الكثافة المطلوبة. لا تستخدم أكثر من ٤ دقائق متواصلة في كل مرة

الخفق (بياض البيض ، كريمات الكيك ، الكريمة المخفوقة ، الخ) •

(٩) قم بتجميع مضرب البيض

لخفق بياض البيض: ضعي بياض البيض داخل الوعاء لحد أقصى ٤ بيضة. شغلي السرعة من ٤ إلى ٦ واخلطها لمدة ٥ دقائق تقريبًا حتى تبيض. يعتمد وقت الخلط على حجم البيض

للكرمية المخفوقة: ضعي على الأقل ٢٥٠ مل من الكريمة الطازجة (سبق تبريدها في الثلاجة لمدة ٨ ساعات على الأقل) .. اخلطها بسرعة ٤ إلى ٦ لمدة ٥ دقائق تقريبًا. لا تتجاوز كمية ١/٢ أعلى وعاء من الكريمة الطازجة المصبوحة للحفاظ على مساحة كافية للكرمية المخفوقة

الاستخدام: وظيفة المطحنة

قم بتفطيع جميع الأطعمة إلى قطع (بوصى باستخدام لحم البقر أو الخنزير منزوع الأوتار والعظام والخالي من الدهون ، بالحجم التقريبي: (٢٠ مم × ٢٠ مم × ١ مم) بحيث يمكن وضعها بسهولة في أنبوب الفرغ (١٧ × ٦٠ ×

قم بتوصيل الجهاز وتشغله ثم أدر مقبض التحكم في السرعة (٨) إلى ٤-٦ سرعات ٢.

(٦) قم بتغذية الطعام في صينية الفرغ (١٦). استخدمه فقط دافع البلاستيك ٣.

بعد الاستخدام ، أوقف تشغيل الجهاز وإفصله عن مصدر الطاقة . ٤

لا تستخدم أكثر من ٤ دقائق متواصلة في كل مرة . ٥

الجهاز مجهز بثلاث غرابيل بفتحات قطرها ٣ مم ، ٥ مم و ٧ مم ، اختار صفيحة ثقب مناسبة للطبق الذي تريده . ٦.

غرابيل ٣ مم - شبكة دقيقة للطحن بتماسك مود ومضغوط إلى حد ما. مثالي للحشو والحلويات -

مصفاة ٥ مم - شبكة متوسطة لطحن اللحوم للشراحت المفرومة والبرغر وكرات اللحم وحشوات الزلابية والبطائر والتورتيللا. باستخدام هذه المصفاة ، يمكنك -

أيضًا طحن الخضار والجبن الصلب وحتى المكسرات

مصفاة مقاس ٧ مم - شبكة سميكة لطحن اللحم بهيكل مميز. المصفاة مخصصة لإنتاج النقائق والحوصلة -

جهاز الحماية من الحرارة الزائدة

سيتم إيقاف تشغيل الجهاز تلقائيًا بعد ١٥ دقيقة من التشغيل المتواصل لحماية المحرك من السخونة الزائدة. هناك حاجة لفصل الجهاز وتركه يبرد قبل الاستخدام التالي. الجهاز عند تبريده سيعمل بشكل طبيعي

التنظيف والصيانة

قبل تنظيف الجهاز ، تأكد من فصل سلك الطاقة عن مأخذ التيار الكهربائي وأن مقبض التحكم في السرعة على الوضع "٠". دع الجهاز يبرد قبل التنظيف ١.

تفكيك جميع الملحقات من مبيت المحرك (٢). لا تقم بتنظيف الملحقات أثناء تركيبها على مجموعة محرك الجهاز . ٢.

لا تستخدم المنظفات القوية لتنظيف مبيت المحرك (٢) ، فقد يؤدي ذلك إلى إزالة الرموز الرسومية المعلوماتية مثل: المقياس ، والعلامات ، وعلامات ٣-

السلامة ، وما إلى ذلك

لا تغسل الأجزاء المعدنية في غسالات الصحون. عوامل التنظيف العدوانية المستخدمة في غسالات الأطباق تتسبب في تحول الأجزاء المعدنية إلى اللون ٤. الأسود. اغسل الأجزاء المعدنية يدويًا باستخدام سائل غسيل تقليدي. استخدم فرشاة ناعمة

امسح الأجزاء الخارجية بمنشفة مطبخ أو قطعة قماش ناعمة . ٥

لا تستخدم مواد كاشطة لتنظيف الجهاز . ٦.

لا تغمر مبيت المحرك ( ) في الماء أو السوائل الأخرى . ٧.

معلومات تقنية

مصدر الطاقة: ٢٢٠-٢٤٠ فولت ~ ٥٠/٦٠ هرتز

القوة: ١٢٠٠ واط

الطاقة القصوى: ٢٢٠٠ واط

وعاء ستانلس ستيل ٧ لتر

يرجى نقل عبوات الورق المقوى إلى نفايات الورق. اسكب أكياس البولي إيثيلين في الحاوية البلاستيكية  
يجب إعادة الجهاز البالي إلى نقطة تخزين مناسبة لأنه خطير في الجهاز  
قد تشكل المكونات تهديداً للبيئة. يجب تسليم الجهاز الكهربائي للحد  
فعليك إخراجها وإعطائها إلى النقطة المخزنة بشكل منفصل، إعادة استخدامها واستخدامها. إذا كان هناك بطاريات في الجهاز



## (BG) БЪЛГАРСКИ

### УСЛОВИЯ ЗА БЕЗОПАСНОСТ

#### ВАЖНИ ИНСТРУКЦИИ ЗА БЕЗОПАСНОСТ НА ИЗПОЛЗВАНЕ

#### МОЛЯ, ПРОЧЕТЕТЕ ВНИМАТЕЛНО И ПАЗЕТЕ ЗА БЪДЕЩИ РЕФЕРЕНЦИИ

Гаранционните условия са различни, ако устройството се използва с търговска цел.

1. Преди да използвате продукта, моля, прочетете внимателно и винаги спазвайте следните инструкции. Производителят не носи отговорност за каквито и да е щети, причинени от злоупотреба.
2. Продуктът трябва да се използва само на закрито. Не използвайте продукта за никакви цели, които не са съвместими с приложението му.
3. Приложимото напрежение е 220-240V, ~ 50/60Hz. От съображения за безопасност не е подходящо да свързвате множество устройства към един контакт.
4. Моля, бъдете внимателни, когато използвате около деца. Не позволявайте на децата да си играят с продукта. Не позволявайте на деца или възрастни, които не познават устройството, да го използват без надзор.
5. ПРЕДУПРЕЖДЕНИЕ: Това устройство може да се използва от деца над 8-годишна възраст и лица с намалени физически, сензорни или умствени възможности или лица без опит или познания за устройството, само под наблюдението на лице, отговорно за тяхната безопасност, или ако са били инструктирани за безопасното използване на устройството и са наясно с опасностите, свързани с работата му. Децата не трябва да играят с устройството. Почистването и поддръжката на устройството не трябва да се извършват от деца, освен ако не са на възраст над 8 години и тези дейности се извършват под наблюдение.
6. След като приключите с използването на продукта, никога не забравяйте внимателно да извадите щепсела от контакта, като придържате контакта с ръка. Никога не дърпайте захранващия кабел!
7. Никога не оставяйте продукта свързан към източника на захранване без надзор. Дори когато употребата е прекъсната за кратко, изключете уреда от мрежата и изключете захранването.
8. Никога не поставяйте захранващия кабел, щепсела или цялото устройство във вода. Никога не излагайте продукта на атмосферни условия като пряка слънчева светлина, дъжд и др. Никога не използвайте продукта във влажни условия.
9. Периодично проверявайте състоянието на захранващия кабел. Ако

захранващият кабел е повреден, продуктът трябва да бъде занесен на място за професионално обслужване, където да бъде заменен, за да се избегнат опасни ситуации.

10. Никога не използвайте продукта с повреден захранващ кабел или ако е бил изпуснат или повреден по някакъв друг начин, или ако не работи правилно. Не се опитвайте сами да поправяте дефектирания продукт, защото това може да доведе до токов удар. Винаги се обръщайте към място за професионално обслужване с повреденото устройство, за да бъде поправено. Всички ремонти могат да се извършват само от оторизирани сервизни специалисти. Ремонтът, който е извършен неправилно, може да доведе до опасни ситуации за потребителя.

11. Никога не поставяйте продукта върху или близо до горещи или топли повърхности, или кухненски уреди като електрическата фурна или газов котлон.

12. Никога не използвайте продукта близо до горими вещества.

13. Не оставяйте кабела да виси на ръба на плота или да докосва горещи повърхности.

14. За да се осигури допълнителна защита, се препоръчва да се инсталира устройство за остатъчен ток (RCD) в силовата верига, с номинален остатъчен ток не повече от 30 mA. Свържете се с професионален електротехник по този въпрос.

15. Уредът не е предназначен за промишлена преработка на храни.

16. Не потапяйте моторния блок във вода. Не мийте в съдомиялни машини. Не излагайте устройството и аксесоарите му на високи температури (над 60 °C).

17. Преди почистване и сваляне на аксесоари настройте регулатора на скоростта в положение "0" и изключете захранващия кабел.

18. Преди да използвате устройството, проверете дали всички части и аксесоари са правилно монтирани:

- планетарен кухненски робот: уверете се, че приставката е поставена правилно в гнездото, в противен случай резултатът от смесването ви може да бъде повлиян.

- месомелачка: трябва да бъде внимателно сглобена. Неточното сглобяване може да причини лошо смилане и затъпяване на ножа и отвора.

19. Използвайте само оригинални принадлежности, доставени с месомелачката и планетарния кухненски робот.

20. Не претоварвайте устройството с излишни продукти или не натискайте твърде силно. Използвайте само буталото за вкарване на продуктите.

Използването на друг предмет може да повреди месомелачката.

22. Месото, което ще се смिला, не трябва да съдържа кости, хрущяли, сухожилия или вени. Нарезжете по-големите части на парчета.

23. Не покривайте вентилационните отвори в корпуса, докато устройството е включено.

24. Не смилайте сухи макови семена. Маковото семе трябва да се задуши и

накисне преди смилане.

25. Не превишавайте  $\frac{3}{4}$  от височината на купата, когато се пълни с хранителни съставки.

26. Съхранявайте устройството на място, недостъпно за деца.

Описание на продукта: Многофункционален планетарен кухненски робот AD4221

- |                                  |   |
|----------------------------------|---|
| 1. Рамо на корпуса               | 2. Корпус на мотора                           |
| 3. Капак против пръски           | 4. Смесваща купа 7,0 литра                    |
| 5. Преден капак на месомелачката | 6. Пластмасово бутало                         |
| 7. Копче за наклон               | 8. Копче за управление на скоростта           |
| 9. Разбиване на яйца             | 10. Бъркалка за смесване                      |
| 11. Кука за тесто                | 12. Фиксираща гайка                           |
| 13. Сита 3, 5, 7 мм              | 14. Прецизно напречно острие                  |
| 15. Приставка „охлюв“            | 16. Тава за смилане                           |
| 17. Камера за смилане            | 18. Гнездо за закрепване на миксера с пружина |

#### ПРЕДИ ПЪРВО ИЗПОЛЗВАНЕ

1. Всички части на устройството трябва да бъдат добре почистени, преди да бъдат използвани за първи път.

Вижте раздел: „Почистяване и поддръжка“.

2. Поставете устройството на хоризонтална и равна повърхност.

3. Никога не работете с устройството без надзор.

4. Не докосвайте движещите се части с пръсти. Оставете въртящите се принадлежности да спрат, преди да отворите купата.

**ПРЕДУПРЕЖДЕНИЕ: НЕ ИЗПОЛЗВАЙТЕ ЕДНОВРЕМЕННО ФУНКЦИИТЕ ЗА СМЕСВАНЕ И СМИЛАНЕ!! ИЗПОЛЗВАЙТЕ САМО ЕДНА ОТ ТЯХ.**

Когато използвате функцията за смесване, предният капак (5) трябва да бъде поставен на своето място.

Когато използвате функцията за смилане, купата (4) с капак против пръски (3) трябва да бъде разположена на място, за да предпази потребителя от въртене на гнездото за закрепване на смесителя с пружина (18).

5. Изключете устройството и го изключете от захранването, преди да смените аксесоарите.

#### НАЧИН НА МОНТАЖ: **Функция за смесване**

Преди да сглобите кухненския робот, уверете се, че захранващият кабел е изключен от контакта и копчето за управление на скоростта е в положение "0".

1. Поставете купата на моторния блок, след това я завъртете по часовниковата стрелка, докато почувствате, че не може да се премести повече наляво. Купата е заключена.

2. Изберете подходящата приставка за необходимата операция:

- Разбиване на яйца (9) за смесване на: белтъци, кремове за торта, бита сметана и др.

- Бъркалка за смесване (10) за леки смеси: майонеза, тесто за палачинки, пандишпан и др.

- Кука за тесто (11) за месене на тежко тесто: тесто за хляб, тесто за мая и др.

3. Поставете подходящата приставка (9 или 10 или 11) върху болта на гнездото за закрепване на смесителя с пружина (18). Регулирайте позицията на двата изпъкнали метални елемента, които да влизат във вдлъбнатините на гнездото за закрепване на смесителя с пружина (18) - вижте снимка А. Натиснете приставката нагоре, докато пружината се компресира напълно, завъртете по часовниковата стрелка докрай и освободете - погледнете снимка В .

4. Поставете хранителните съставки в купата и натиснете копчето за накланяне (7) надолу, за да затворите рамото на корпуса (1).

5. Включете устройството и завъртете копчето за скорост (8) за необходимата скорост. Скоростта 0 означава, че мотора е спрял, скорост 1 означава най-бавната скорост, скорост 6 означава максималното въртене. P - означава импулсен режим, и представлява импулсно въртене на зъбните колела, когато копчето (8) се държи в импулсно положение.

6. След употреба изключете устройството, като завъртите копчето за скорост (8) в позиция 0 и изключете устройството.

7. Натиснете копчето за накланяне (7) надолу, за да повдигнете рамото на корпуса (1). Ако сместа е с добра консистенция, свалете приставката. За да извадите приставката, леко я повдигнете, за да компресирате пружината напълно, след това завъртете лявата страна на цялата приставка и я издърпайте надолу.

8. Завъртете купата (4) обратно на часовниковата стрелка и я извадете от корпуса на мотора (2), като я държите с две ръце. Не забравяйте, че купата може да е тежка.

#### НАЧИН НА МОНТАЖ: **Функция за смилане**

1. Поставете купата (4) върху корпуса на мотора (2) и затворете рамото на корпуса (1), като натиснете копчето за накланяне (7). Не сглобявайте никакви приставки вътре в купата (4). Необходимо е за да се предпази от завъртане на гнездото за закрепване на смесителя с пружина (18). Нормално е гнездото за закрепване на смесителя с пружина (18) да се върти вътре в купата, когато използвате мелачката.



2. Свалете предния капак (5), за да настроите мелачката.

3. Вътре в камерата за смилане (17) поставете приставката „охлюв“ (15), след това поставете напречното острие за смилане (14) правилно. Внимавайте да го поставите на правилната страна, както е показано на снимка С. След това поставете подходящото сито (13) и ЛЕКО ЗАВИЙТЕ фиксиращата гайка (12) в края.

**ЗАБЕЛЕЖКА:** фиксиращата гайка (12) трябва да се завинтва ЛЕКО, ПРЕДИ да сглобите целия блок за смилане към корпуса на мотора (2). Необходимо е да се регулира положението на шестоъгълния отвор (снимка D1) в машината за смилане към шестоъгълния вал в корпуса на мотора (2).

4. Поставете блока на мелачката в позицията, показана на снимка D3 (позиция на наклон), натиснете я вътре в корпуса на мотора (2) и завъртете наляво във вертикално положение, показано на снимка D4. Черният кръгъл бутон близо до блока на мелачката ще се върне в изпъкнало положение. Сега завийте здраво фиксиращата гайка (12).

5. Монтирайте тавата за смилане (16) в горната част на камерата за смилане (17).

6. За да демонтирате блока на мелачката, натиснете черния кръгъл бутон в обратен ред.

#### **УПОТРЕБА: Функция за смесване**

Омесване на тежко тесто (тесто за хляб, тесто с мая и др.)

Сглобете куката за тесто (11). Поставете хранителните съставки в купата. Препоръчителната пропорция на брашно и вода е: 5: 3. Максимално количество брашно: 1500 гр. Препоръчва се месене при скорост 1 или 2, за не повече от 20 секунди непрекъсната работа. След това настройте скорост 3 и оставете уреда да работи не повече от 4 минути.

Смесване на леки смеси (майонеза, тесто за палачинки, пандишпан и др.)

Сглобете бъркалката за смесване (10). Поставете хранителните съставки в купата на максимум  $\frac{3}{4}$  височина от купата. Включете скорост 3-4 и разбъркайте толкова дълго, колкото е необходимо, за да постигнете желаната плътност.

Използвайте не повече от 4 минути наведнъж.

Разбиване (белтъци, кремове за торта, бита сметана и др.)

Сглобете приставката за разбиване на яйца (9).

За разбиване на белтъци: Поставете белтъците в купата с максимум 24 яйца. Включете скорост 4-6 и разбъркайте, около 5 минути, докато се стегне. Времето за смесване зависи от размера на яйцата.

За бита сметана: поставете поне 250 мл прясна сметана (предварително охладена в хладилник за поне 8 часа).

Разбъркайте я при скорост 4 до 6 за около 5 минути. Не превишавайте количество  $\frac{1}{2}$  височина на купата с излятa прясна сметана, за да запазите достатъчно място за бита сметана.

#### **УПОТРЕБА: Функция за смилане**

1. Нарезете всички храни на парчета (препоръчва се говеждо или свинско месо без кости и без сланина, приблизително с размер: (20 мм x 20 мм x 60 мм.), така че да се поберат лесно в тръбата за смилане (17).

2. Включете устройството и го включете и след това завъртете копчето за управление на скоростта (8) на 4-6 скорости.

3. Сложете храна в тавата за смилане (16). Използвайте само пластмасовото бутало (6).

4. След употреба изключете устройството и го изключете от захранването.

5. Използвайте не повече от 4 минути наведнъж.

6. Устройството е оборудвано с 3 сита с диаметър на отворите 3 мм, 5 мм и 7 мм, изберете подходяща плоча с отвори за желаното от вас ястие.

- 3 мм сито - фина мрежа за смилане за доста компактна, еднолитна консистенция. Перфектен за пълнежи и пастет.

- 5 мм сито - средна мрежа за смилане на месо на кайма, котлети, кюфтета и пълнежи за кнедли, палачинки и тортили. С помощта на това сито можете също да смилате зеленчуци, твърдо сирене и дори ядки.

- 7 мм сито - дебела мрежа за смилане на месо с отчетлива структура. Ситото е предназначено за правене на колбаси и дреболии от месо.

#### **Устройство за защита от прегряване**

Устройството ще се изключи автоматично след 15 минути непрекъсната работа, за да предпази мотора от прегряване. Необходимо е да изключите устройството и да го оставите да се охлади преди следващата употреба. Устройството ще работи нормално, когато се охлади.

#### **ПОЧИСТВАНЕ И ПОДДРЪЖКА**

1. Преди почистване на устройството, уверете се, че захранващият кабел е изключен от контакта и копчето за управление на скоростта е в позиция "0". Оставете устройството да се охлади преди почистване.

2. Демонтирайте всички аксесоари от корпуса на мотора (2). Не почиствайте аксесоарите, докато са монтирани на задвижващия елемент на уреда.

3. Не използвайте агресивни почистващи препарати за почистване на корпуса на мотора (2), тъй като това може да премахне информационните графични символи като: скала, знаци, знаци за безопасност и т.н.

4. Не мийте металните части в съдомиялни машини. Агресивните почистващи препарати, използвани в съдомиялни машини, карат металните части да почернеят. Измийте ръчно металните части с традиционна течност за миене на съдове. Използвайте мека четка.
5. Избършете външните части с кухненска кърпа или мека кърпа.
6. Не използвайте абразивни материали за почистване на устройството.
7. Не потапяйте корпуса на двигателя мотора (2) във вода или други течности.

#### ТЕХНИЧЕСКИ ДАННИ

Източник на захранване: 220-240V ~ 50/60Hz

Мощност: 1200W

Максимална мощност: 2200W

Купа от неръждаема стомана 7 литра

Максимално време на работа в един цикъл: 15 минути.

Минимално време за почивка между циклите: най-малко 10 минути



За да защитите околната си среда: моля, отделете картонените кутии и найлоновите торбички и ги изхвърлете в съответните кошчета за отпадъци. Използваният уред трябва да бъде доставен до специалните пунктове за събиране, които могат да повлияят на околната среда. Не изхвърляйте този уред в обикновен кош за отпадъци.

#### (AZ) AZERIAN

### T HLÜK SİZLİK Ş RTL Rİ. İSTİFAD T HLÜK SİZLİYİ ÜZR VACİB T LİMATLAR DİQQ TL OXUYUN V G L C K İSTİFAD ÜÇÜN SAXLAYIN.

Cihaz kommersiya məqsədləri üçün istifadə olunarsa, zərərli və zərərli rəqəmdir.

1. Məhsul istifadə etməzdən əvvəl diqqətli oxuyun və həmçinin aşağıdakı təlimatlara müraciət edin. İstehsalçı tərəfindən istifadəni təsdiqlənmiş və təsdiqlənmiş hərəf hansı zərərli və zərərli rəqəmdir.
2. Məhsul yalnız qapalı məkanlarda istifadə olunmalıdır. Məhsul təbii və uyğun gələn yerdə hərəf hansı bir məqsəd üçün istifadə etməyin.
3. Cihazın gərginliyi 220-240V, ~50/60Hz-dir. Təhlükəsizlik üçün yalnız bir elektrik rozetkəsinə qoşmaq düzgün deyil.
4. Uşaqların təfərrüatında istifadə edilməməlidir. Uşaqların məhsulları oynamağına icazə verməyin. Uşaqların və ya cihazı tanımayan insanların zərərli istifadə etməsinə icazə verməyin.
5. XƏRDARLIQ: Bu cihaz 8 yaşdan yuxarı uşaqlar və fiziki, hissiyyət və ya qabiliyyətləri zərərli olan şəxslər və ya cihaz haqqında təcrübəsi və ya biliyi olmayan şəxslər tərəfindən yalnız onların təhlükəsizliyini cavabdeh olan şəxslərin zərərli istifadəsi üçün istifadə edilə bilər və ya gərəklər cihazın təhlükəsiz istifadəsi ilə bağlı təlimatlandırılıbsa və onun istismarı ilə bağlı təhlükəli rəddən xəbərdarlıqlarsa. Uşaqlar cihazla oynamamalıdır. Cihazın təmizlənməsi və saxlanması 8 yaşdan yuxarı olmadıqda və ya fəaliyyətli rəddə zərərli istifadəsi altında hətə keçirilmədikdə, uşaqların rəddən hətə keçirilməməlidir.
6. Məhsuldan istifadəni bitirdikdən sonra həmçinin elektrik rozetkəsindən lənginləşdirilməmiş bir şəkildə çıxarmağı unutmayın. Heç vaxt elektrik kabelini çəkməyin!!!
7. Zərərli olmadan heç vaxt məhsul enerji mənbəyini qoşulmuş vəziyyətdə qoymayın. İstifadə qısa müddətlik sıldırıq belə, onu şəkildən söndürün, elektrik enerjisini ayırın.
8. Heç vaxt elektrik kabelini, fişini və ya bütün cihazı suya qoymayın. Məhsul heç vaxt birbaşa günəş işığı və ya yağış kimi atmosfer şəraitində qoymayın. Məhsul heç vaxt nəmli şəraitdə istifadə etməyin.

9. Elektrik kabelinin v ziyy tini vaxtaşırı yoxlayın. Elektrik kabeli z d l nıbs , t hlük li v ziyy tl rin qarşısını almaq üçün m hsul d yişdirilm k üçün peş kar xidm t yerin yön ldilm lidir.
10. M hsulü heç vaxt z d l nmiş elektrik kabeli il istifad etm yin, g r o, yıxılıbsa v ya başqa ş kild z d l nıbs v ya düzgün işl mirs . Qüsurlu m hsulü özünüz t mir etm y çalışmayın, çünki bu, elektrik şokuna s b b ola bil r. Z d l nmiş cihazı t mir etm k üçün h miş onu peş kar xidm t yerin çevirin. Bütün t mir işl ri yalnız s lahiyy tli xidm t müt x ssisl ri t r find n h yata keçiril bil r. S hv edilmiş t mir istifad çi üçün t hlük li v ziyy tl r s b b ola bil r.
11. M hsulü heç vaxt isti v ya isti s thl rin v ya elektrik sobası v ya qaz sobası kimi m tb x cihazlarının üz rin v ya yaxınına qoymayın.
12. M hsulü heç vaxt yanan madd l rin yaxınlığında istifad etm yin.
13. Şnurun tezgahın k narından asılmasına v ya isti s thl r toxunmasına icaz verm yin.
14. lav qorunma t min etm k üçün elektrik dövr sind qalıq c r yan 30 mA-dan çox olmayan qalıq c r yan qurğusunun (RCD) quraşdırılması tövsiy olunur. Bu m s l d peş kar elektrikçi il laq saxlayın.
15. Cihaz s naye qida emalı üçün n z rd tutulmayıb.
16. Motor blokunu suya batırmayın. Qabyuyan maşınlarda yumayın. Cihazı v onun aksesuarlarını yüks k temperaturalara (60°C-d n yuxarı) m ruz qoymayın.
17. Aksesuarları t mizl m d n v çıxarmazdan vv l sür t t nziml yicisini "0" v ziyy tin qoyun v elektrik kabelini ayırın.
18. Cihazı iş salmazdan vv l bütün hiss l rin v aksesuarların düzgün quraşdırılıb-quraşdırılmadığını yoxlayın:  
- planetar qida prosessoru: qoşqunun rozetkaya tam daxil olduğundan min olun, ks halda qarışdırma n tic niz t sirl n bil r.  
- t d yirmanı: üyütm qurğusunu diqq tl yığmaq lazımdır. Qeyri-d qiç montaj z if daşlama performansına v bıçaq v çuxur boşqabının kütl şm sin s b b ola bil r.
19. Yalnız tç k n maşın v planetar yem k prosessoru il birlikd veril n orijinal aksesuarlardan istifad edin.
20. Cihazı artıq m hsulla yükl m yin v ya m hsulü çox b rk it l m yin. M hsulü iç ri it l m k üçün yalnız it l yicid n istifad edin. Başqa obyektin istifad si tç k n maşına z r r ver bil r.
22. Xırdalanacaq td sümük, qıgılıcım, v t r v damar olmamalıdır. Daha böyük hiss l ri parçalara k sin.
23. Cihaz iş salınark n korpusun havalandırma d likl rini örtm yin.
24. Quru xaşxaş toxumunu üyütm yin. Xaşxaş toxumu üyüdülm zd n vv l buxarlanmalı v isladılmalıdır.
25. Qida inqrediyentl ri il doldurark n ¾ qabın hündürlüyünü keçm yin.
26. Cihazı uşaqların li çatmayan yerd saxlayın.

Məhsulun təsviri: Çoxfunksiyalı Planet qida prosessoru AD4221

- |                              |                             |
|------------------------------|-----------------------------|
| 1. Korpus qolu               | 2. Motor korpusu            |
| 3. Sıçramağa qarşı qapaq     | 4. Qarışdırma qabı 7,0 litr |
| 5. Kıyma maşınının ön qapağı | 6. Plastik itələyici        |
| 7. Tilt düyməsi              | 8. Sürətə nəzarət düyməsi   |

- |                       |                                 |
|-----------------------|---------------------------------|
| 9. Yumurta çırpıcı    | 10. Qarışdıran çırpıcı          |
| 11. Xəmir üçün qarmaq | 12. Fiksik qayka                |
| 13. Ələklər 3, 5, 7mm | 14. Kiyma çarpaz bıçaq          |
| 15. Qurd dişli        | 16. Kiyma nimçəsi               |
| 17. Kiyma kamerası    | 18. Mikserin yaylı qoşma yuvası |

## İLK İSTİFADƏDƏN ƏVVƏL

1. İlk dəfə istifadə etməzdən əvvəl cihazın bütün hissələri hərtərəfli təmizlənməlidir. Bölmə baxın: "Təmizləmə və Baxım".
  2. Cihazı üfüqi və düz bir səthdə saxlayın.
  3. Heç vaxt cihazı nəzarətsiz işlətməyin.
  4. Barmaqlarınızla hərəkət edən hissələrə toxunmayın. Kasanı açmadan əvvəl fırlanan aksesuarların dayanmasına icazə verin.
- XƏBƏRDARLIQ: QARŞIQMA VƏ QIYMƏ FONKSİYASINI EYNI VAXTDA İSTİFADƏ ETMƏYİN !! YALNIZ BİRİNDƏN İSTİFADƏ EDİN.**
- Qarışdırma funksiyasından istifadə edərkən ön qapaq (5) öz yerində olmalıdır.
  - Kiyma funksiyasından istifadə edərkən sıçrama əleyhinə qapaqlı (3) qab (4) son istifadəçini yay (18) ilə qarışdırıcının qoşma yuvasının fırlanmasından qorumaq üçün öz yerində yerləşdirilməlidir.
5. Aksesuarları dəyişməzdən əvvəl cihazı söndürün və təchizatı şəbəkəsindən ayırın.

## YAPILMA YOLU: Mikser funksiyası

Qida processorunu yığmazdan əvvəl elektrik kabelinin elektrik rozetkasından çıxarıldığına və sürətə nəzarət düyməsinin "0" vəziyyətində olduğuna əmin olun.

1. Kasanı motor blokuna qoyun, sonra sola hərəkət edə bilməyəcəyini hiss edənə qədər saat əqrəbi istiqamətində çevirin. Qab bloklanıb.
2. Tələb olunan əməliyyat üçün düzgün qoşqu seçin:
  - Çırpmaq üçün yumurta çırpıcı (9): yumurta ağları, tort kremləri, çırpılmış kremlər və s.
  - Yüngül qarışıqları qarışdırmaq üçün qarışdırıcı (10): mayonez, pancake xəmiri, pancake və s.
  - Ağır xəmir yoğurmaq üçün xəmir qaracağı (11): çörək xəmiri, maya xəmiri və s.
3. Müvafiq əlavəni (9 və ya 10 və ya 11) yaylı (18) mikserin qoşma yuvasının boltuna qoyun. Yaylı (18) mikserin qoşma yuvasının içbükey yerlərinin içərisinə daxil olmaq üçün iki çıxıntılı metal elementin mövqeyini tənzimləyin – şəkil A-ya baxın. Yay tam sıxılana qədər qoşquyu yuxarı itələyin, saat əqrəbinin tam istiqamətində çevirin və buraxın – şəkil B-yə baxın. .
4. Qida inqrediyentlərini qaba qoyun və korpus qolunu (1) bağlamaq üçün əyilmə düyməsini (7) aşağı tərəfə basın.
5. Cihazı qoşun və sürət düyməsini (8) lazımı sürətə çevirin. Sürət 0 mühərrikin dayandığını, 1 sürəti ən yavaş sürəti, 6 sürəti maksimum fırlanmanı bildirir. P – Pulse rejimi deməkdir, düymə (8) Pulse vəziyyətində saxlanıldıqda dişlilərin impuls fırlanması deməkdir.
6. İstifadə etdikdən sonra sürət düyməsini (8) 0 vəziyyətinə çevirərək cihazı söndürün və cihazı söndürün.
7. Korpus qolunu (1) qaldırmaq üçün əyilmə düyməsini (7) aşağı tərəfə basın. Qarışiq düzgündürsə, əlavəni çıxarın. Qoşqu çıxarmaq üçün yayı tam sıxmaq üçün onu bir az qaldırın, sonra bütün qoşqu sola çevirib aşağı çəkin.
8. Kasanı (4) saat əqrəbinin əksinə çevirin və hər iki əlinizlə tutaraq onu motor korpusundan (2) çıxarın. Unutmayın ki, qab ağır ola bilər.

## YAPILMA YOLU: Taşlama funksiyası

1. Kasanı (4) motor korpusunun (2) üzərinə qoyun və əyilmə düyməsini (7) basaraq korpus qolunu (1) bağlayın. Qabın (4) içərisinə heç bir əlavə quraşdırmayın. Mikserin qoşma yuvasının yay (18) ilə fırlanmasından sizi qorumaq lazımdır. Mikserdən istifadə edərkən mikserin yaylı (18) qoşma yuvasının kasanın içərisində fırlanması normaldır.
  2. Təmizləyicini quraşdırmaq üçün ön qapağı (5) götürün.
  3. Kiyma kamerasının (17) içərisinə qurd dişlini (15) qoyun, sonra qiymə çarpaz bıçağını (14) düzgün yerləşdirin. Şəkil C-də göstəriləyi kimi düzgün tərəfə yerləşdirməyə diqqət edin. Sonra, müvafiq ələk (13) yerləşdirin və sonunda bərkitmə qaykasını (12) YÜRĞƏN şəkildə vidalayın.
- QEYD:** bütün qiymə qurğusunu motor korpusuna (2) yığmazdan ƏVVƏL bərkidici qayka (12) YÜZGƏN vidalanmalıdır. Kiyma qurğusunda altıbucaqlı çuxurun (şəkil D1) mövqeyini motor korpusunda (2) altıbucaqlı şafta uyğunlaşdırmaq lazımdır.
4. Kiyma qurğusunu D3 şəkildə göstəriləyi yerə qoyun (maili mövqe), onu motor korpusunun içərisinə itələyin (2) və D4 şəkildə göstərilən şaquli vəziyyətə sola döbün. Kiyma qurğusuna yaxın olan qara dairəvi düymə çıxıntı vəziyyətinə qayıdacaq. Təsbit qaykasını (12) indi möhkəm vidalayın.
  5. Kiyma qabını (16) qiymə kamerasının (17) üstünə quraşdırın.
  6. Kiyma qurğusunu sökmək üçün qara dairəvi düyməni tərs qaydada basın.

### İSTİFADƏ: Mikser funksiyası

• Ağır xəmir yoğurmaq (çörək xəmiri, maya xəmiri və s.)

Xəmir çəngəlini (11) yığın. Yemək inqrediyentlərini qabın içərisinə qoyun. Təklif olunan un və su nisbəti: 5:3.

Maksimum un miqdarı: 1500 q. Davamlı olaraq 20 saniyədən çox olmayan 1 və ya 2 sürətlə yoğurmağa başlamaq tövsiyə olunur. Sonra, sürəti 3 qurun və bir dəfəyə 4 dəqiqədən çox olmayan fasiləsiz işləyin.

• Yüngül qarışıqların qarışdırılması (mayonez, pancake xəmiri, pancake və s.)

Qarışdırın çırpıcı (10) yığın. Yemək inqrediyentlərini qabın maksimum ¾ hündürlüyünə qədər qabın içərisinə qoyun. 3-4 sürətini yandırın və istədiyiniz sıxlığa nail olmaq üçün lazım olan qədər qarışdırın. Bir anda 4 dəqiqədən çox olmayan fasiləsiz istifadə edin.

• Çırpma (yumurta ağları, tort kremləri, çırpılmış kremlər və s.)

Yumurta çırpıcısını (9) yığın.

Yumurta ağını çırpmaq üçün: Yumurta ağını qabın içinə qoyun, maksimum 24 yumurta. 4-6 sürəti yandırın və sərtləşənə qədər təxminən 5 dəqiqə qarışdırın. Qarışdırma müddəti yumurtaların ölçüsündən asılıdır.

Çırpılmış krem üçün: ən azı 250 ml təzə qaymaq qoyun (əvvəllər ən azı 8 saat soyuducuda soyudulmuş).. 4-6 sürətlə təxminən 5 dəqiqə qarışdırın. Çırpılmış krem üçün kifayət qədər yer saxlamaq üçün tökülmüş təzə qaymaq qabının ½ yüksək miqdarını aşmayın.

### İSTİFADƏ: Taşlama funksiyası

1. Bütün qidaları parçalara ayırın (sınırsız, sümüksüz və yağsız mal əti və ya donuz əti tövsiyə olunur, təqribən ölçü: (20 mm x 20 mm x 60 mm,)) qiymə borusuna (17) asanlıqla sığsın.

2. Cihazı qoşun və yandırın və sonra sürət tənzimləyicisini (8) 4-6 sürətə çevirin.

3. Qidalanma qabına (16) yemək verin. Bunun üçün yalnız plastik itələyicidən (6) istifadə edin.

4. İstifadə etdikdən sonra cihazı söndürün və enerji təchizatı şəbəkəsindən ayırın.

5. Bir dəfə davamlı olaraq 4 dəqiqədən çox istifadə edin.

6. Cihaz 3 mm, 5 mm və 7 mm diametrlə dəşikli 3 ələklə techiz olunub, istədiyiniz qaba uyğun boşqab seçin.

- 3 mm ələk - kifayət qədər yığıcam, vahid konsistensiyaya qədər üyütmək üçün incə mesh. İçlik və pasta üçün mükəmməldir.

- 5 mm süzgeç - kiyılmış kotletlər, burgerlər, küftələr və köftələr, pancake və tortillalar üçün içliklər üçün et üyütmək üçün orta mesh. Bu süzgeçdən istifadə etməklə siz tərəvəzləri, sərt pendiri və hətta qoz-fındıqları da üyüdə bilərsiniz.

- 7 mm süzgeç - fərqli quruluşa malik et üyütmək üçün qalın mesh. Süzgeç kolbasa və sakatat istehsalı üçün nəzərdə tutulub.

### HƏR İSTİYYƏTDƏN MÜDAFİƏ QURĞU

Mühərriki həddindən artıq istiləşmədən qorumaq üçün cihaz 15 dəqiqə fasiləsiz işlədikdən sonra avtomatik olaraq sönəcək. Növbəti istifadədən əvvəl cihazı prizdən çıxarmaq və soyumasını gözləmək lazımdır.

Soyuduqda cihaz normal işləyəcək.

### TƏMİZLİK VƏ XİDMƏT

1. Cihazı təmizləməzdən əvvəl elektrik kabelinin elektrik rozetkasından çıxarıldığına və sürətə nəzarət düyməsinin "0" vəziyyətində olduğuna əmin olun. Təmizləməzdən əvvəl cihazın soyumasına icazə verin.

2. Bütün aksesuarları motor korpusundan (2) sökün. Maşının sürücü qurğusuna quraşdırıldıqda aksesuarları təmizləyin.

3. Mühərrikin korpusunu (2) təmizləmək üçün aqressiv yuyucu vasitələrdən istifadə etməyin, çünki o, miqyas, işarələr, təhlükəsizlik işarələri və s. kimi məlumat xarakterli grafik simvolları silə bilər.

4. Metal hissələri qabyuyan maşında yumayın. Qabyuyan maşınlarda istifadə edilən aqressiv təmizləyici maddələr metal hissələrin qaralmasına səbəb olur. Ənənəvi yuyucu maye ilə metal hissələri əl ilə yuyun.

Yumşaq fırça istifadə edin.

5. Xarici hissələri mətbəx dəsmal və ya yumşaq parça ilə silin.

6. Cihazı təmizləmək üçün aşındırıcı materiallardan istifadə etməyin.

7. Motor korpusunu ( ) suya və ya digər mayelərə batırmayın.

### TEXNİKİ MƏLUMAT

Enerji təchizatı: 220-240V ~50/60Hz

Güc: 1200W

Maksimum güc: 2200W

Paslanmayan polad qab 7 litr

Bir dövrdə maksimum işləmə müddəti: 15 dəqiqə.

Dövrələr arasında minimum istirahət vaxtı: ən azı 10 dəqiqə.



Ətraf mühiti qorumaq üçün: kartonları və plastik torbaları ayırın və müvafiq tullantı qablarına qoyun. İstifadə olunmuş cihaz ətraf mühitə təsir göstərə bilən xüsusi toplama məntəqələrinə çatdırılmalıdır. Bu cihazı adi zibilliyə atmayın.

**KUSHTET E SIGURISË. UDHËZIME TË RËNDËSISHME PËR SIGURINË E PËRDORIMIT  
JU LUTEM LEXOJENI ME KUJDES DHE MBANI PER REFERENCA TE ARDHSHME**

Kushtet e garancisë janë të ndryshme, nëse pajisja përdoret për qëllime komerciale.

1. Përpara përdorimit të produktit ju lutemi lexoni me kujdes dhe ndiqni gjithmonë udhëzimet e mëposhtme.

Prodhuesi nuk mban përgjegjësi për ndonjë dëmtim për shkak të ndonjë keqpërdorimi.

2. Produkti duhet të përdoret vetëm në ambiente të mbyllura. Mos e përdorni produktin për asnjë qëllim që nuk është në përputhje me aplikimin e tij.

3. Tensioni i pajisjes është 220-240V, ~50/60Hz. Për arsye sigurie, nuk është e përshtatshme të lidhni disa pajisje në një prizë.

4. Ju lutemi të jeni të kujdesshëm kur përdorni rreth fëmijëve. Mos i lini fëmijët të luajnë me produktin. Mos lejoni që fëmijët ose njerëzit që nuk e njohin pajisjen ta përdorin pa mbikëqyrje.

5. PARALAJMËRIM: Kjo pajisje mund të përdoret nga fëmijë mbi 8 vjeç dhe persona me aftësi të kufizuara fizike, shqisore ose mendore, ose persona pa përvojë ose njohuri për pajisjen, vetëm nën mbikëqyrjen e një personi përgjegjës për sigurinë e tyre, ose nëse janë udhëzuar për përdorimin e sigurt të pajisjes dhe janë të vetëdijshëm për rreziqet që lidhen me funksionimin e saj. Fëmijët nuk duhet të luajnë me pajisjen. Pastrimi dhe mirëmbajtja e pajisjes nuk duhet të kryhen nga fëmijët, përveç nëse janë mbi 8 vjeç dhe këto aktivitete kryhen nën mbikëqyrje.

6. Pasi të keni mbaruar përdorimin e produktit, mbani mend gjithmonë të hiqni butësisht spinën nga priza duke mbajtur prizën me dorën tuaj. Asnjëherë mos e tërhiqni kabllon e rrymës!!!

7. Asnjëherë mos e lini produktin të lidhur me burimin e energjisë pa mbikëqyrje. Edhe kur përdorimi ndërpritet për një kohë të shkurtër, fikeni atë nga rrjeti, shkëputeni nga priza.

8. Asnjëherë mos e vendosni kabllon e rrymës, spinën ose të gjithë pajisjen në ujë. Asnjëherë mos e ekspozoni produktin ndaj kushteve atmosferike si p.sh. rrezet e diellit direkte ose shiu, etj. Mos e përdorni kurrë produktin në kushte të lagështa.

9. Kontrolloni periodikisht gjendjen e kabllit të energjisë. Nëse kabloja e energjisë është e dëmtuar, produkti duhet të kthehet në një vend shërbimi profesional për t'u zëvendësuar në mënyrë që të shmangen situatat e rrezikshme.

10. Mos e përdorni kurrë produktin me kablo të dëmtuar të rrymës ose nëse është rënë ose dëmtuar në ndonjë mënyrë tjetër ose nëse nuk funksionon siç duhet. Mos u përipiqi ta riparoni vetë produktin e defektuar sepse mund të çojë në goditje elektrike. Kthejeni gjithmonë pajisjen e dëmtuar në një vend shërbimi profesional për ta riparuar atë. Të gjitha riparimet mund të kryhen vetëm nga specialistë të autorizuar të shërbimit. Riparimi i bërë gabimisht mund të shkaktojë situata të rrezikshme për përdoruesin.

11. Asnjëherë mos e vendosni produktin mbi ose afër sipërfaqeve të nxehta ose të ngrohta ose pajisjeve të kuzhinës si furra elektrike ose djegësi me gaz.

12. Asnjëherë mos e përdorni produktin afër lëndëve të djegshme.

13. Mos lejoni që kordoni të varet mbi buzë të banakut ose të mos prekë sipërfaqe të nxehta.

14. Për të siguruar mbrojtje shtesë, rekomandohet instalimi i pajisjes së rrymës së mbetur (RCD) në qarkun e energjisë, me rrymë të mbetur jo më shumë se 30 mA. Kontaktoni një elektrikist profesionist për këtë çështje.

15. Pajisja nuk është e destinuar për përpunimin industrial të ushqimit.

16. Mos e zhytni njësinë motorike në ujë. Mos lani në pjatararëse. Mos e ekspozoni pajisjen dhe aksesorët e saj në temperatura të larta (mbi 60°C).

17. Përpara pastrimit dhe heqjes së aksesorëve vendoseni kontrollin e shpejtësisë në pozicionin "0" dhe shkëputni kabllon e rrymës.

18. Përpara përdorimit të pajisjes kontrolloni nëse të gjitha pjesët dhe aksesorët janë montuar siç duhet:

- Përpunues ushqimor planetar: sigurohuni që bashkëngjitja të jetë futur plotësisht në prizë, përndryshe rezultati juaj i përzjerjes mund të ndikohet.

- mulli i mishit: grupi i bluarjes duhet të montohet me kujdes. Montimi i pasaktë mund të shkaktojë performancë të dobët bluarjeje dhe zbehje të thikës dhe pllakës së rrymës.

19. Përdorni vetëm aksesorë origjinalë të dhënë me mullit dhe përpunuesin planetar të ushqimit.

20. Mos e mbingarkoni pajisjen me produkt të tepërt ose mos e futni produktin shumë fort. Përdorni vetëm shtytësin për të futur produktin brenda. Përdorimi i objekteve të tjera mund të dëmtojë mullirin e mishit.

22. Mishi që do të bluhet duhet të jetë pa kocka, grila, tendina ose vena. Pritini pjesët më të mëdha në copa.

23. Mos i mbulonni vrimat e ajrosjes në kutinë kur pajisja është e ndezur.

24. Mos e grini farën e thatë të lulekuqes. Fara e lulekuqes duhet të zihet në avull dhe të ngjyhet para bluarjes.

25. Mos e kaloni lartësinë  $\frac{3}{4}$  tas kur mbusheni me përbërës të ushqimit.

26. Ruajeni pajisjen jashtë mundësive të fëmijëve.

Përshkrimi i produktit: Përpunues ushqimor shumëfunksional planetar AD4221

- |                                  |                                |
|----------------------------------|--------------------------------|
| 1. Krahu i strehimit             | 2. Strehimi i motorit          |
| 3. Mbulesë kundër spërkatjes     | 4. Tas për përzjerje 7,0 litra |
| 5. Mbulesa e përparme e grirëses | 6. Shtytëse plastike           |

- |                         |   |
|-------------------------|---|
| 7. Topa me anim         | 8. Topola e kontrollit të shpejtësisë     |
| 9. Rrahësi i vezëve     | 10. Rrahësi i përzierjes                  |
| 11. Grapi i brumit      | 12. Arra fiksuese                         |
| 13. Sita 3, 5, 7mm      | 14. The kryq grire                        |
| 15. Ingranazh me krimba | 16. Tëpsi për grirje                      |
| 17. Dhoma e grirjes     | 18. Foleja e lidhjes së mikserit me susta |

#### PARA PËRDORIMIT TË PARË

1. Të gjitha pjesët e pajisjes duhet të pastrohen tërësisht përpara se të përdoren për herë të parë. Shihni pjesën: "Pastrimi dhe mirëmbajtja".

2. Vendoseni pajisjen në një sipërfaqe horizontale dhe të sheshtë.

3. Mos e përdorni kurrë pajisjen pa mbikëqyrjen.

4. Mos prekni me gishta pjesët lëvizëse. Lërimi aksesorët rotullues të ndalojnë përpara se të hapni tasin.

#### PARALAJMËRIM: MOS PËRDORNI FUNKSIONET E PËRZIERJES DHE TË KRIMËRISË NË TË NJËJËTËN KOHË!! PËRDORNI VETËM NJËN PREJ TYRE.

• Kur përdorni funksionin e përzierjes, mbulesa e përparme (5) duhet të vendoset në pozicionin e saj.

• Kur përdorni funksionin e grirjes, tasi (4) me mbulesë kundër spërkatjes (3) duhet të vendoset në pozicionin e tij për të mbrojtur përdoruesin përfundimtar nga rotullimi i folesë së bashkimit të mikserit me susta (18).

5. Fikeni pajisjen dhe shkëputeni nga furnizimi përpara se të ndërroni aksesorët.

#### MËNYRA E MONTIMIT: Funkzioni i mikserit

Përpara se të montoni përpunuesin e ushqimit, sigurohuni që kordoni i rrymës të jetë shkëputur nga priza dhe çelësi i kontrollit të shpejtësisë është në pozicionin "0".

1. Vendoseni tasin në njësinë motorike, më pas rrotullojeni në drejtim të akrepave të orës derisa të ndjeni se nuk mund të lëvizë më majtas. Tasi është i bllokuar.

2. Zgjidhni bashkëngjitjen e duhur për funksionimin e kërkuar:

- Rrahje e vezëve (9) për rrahjen e: të bardhave të vezëve, kremrave për kek, krem pana etj.

- Rrahëse për përzierje (10) për përzierjen e përzierjeve të lehta: majonezë, brumë petullash, pandispanje etj.

- Grep brumi (11) për zierjen e brumit të rëndë: brumë buke, brumë tharmi etj.

3. Vendosni bashkëngjitjen e duhur (9 ose 10 ose 11) në bulon e folesë së bashkëngjitjes së mikserit me susta (18). Rregulloni pozicionin e dy elementëve metalikë të spikatur për të hyrë brenda vendeve konkave të folesë së lidhjes së mikserit me susta (18) – shikoni figurën A. Shtyjeni ngjithësinë lart derisa susta të jetë plotësisht e ngjeshur, kthejeni plotësisht në drejtim të akrepave të orës dhe lëshojeni – shikoni figurën B.

4. Vendosni përbërësit e ushqimit në tas dhe shtypni çelësin e animit (7) nga poshtë për të mbyllur krahun e strehës (1).

5. Futeni pajisjen në prizë dhe rrotulloni çelësin e shpejtësisë (8) për shpejtësinë e kërkuar. Shpejtësia 0 do të thotë motori i ndalur, shpejtësia 1 do të thotë shpejtësia më e ngadaltë, shpejtësia 6 do të thotë rrotullim maksimal. P – do të thotë modaliteti i pulsit, do të thotë rrotullim pulsit i ingranazheve kur çelësi (8) mbahet në pozicionin e pulsit.

6. Pas përdorimit fikeni pajisjen duke rrotulluar çelësin e shpejtësisë (8) në pozicionin 0 dhe fikeni pajisjen.

7. Shtypni çelësin e animit (7) nga ana poshtë për të ngritur krahun e strehës (1). Nëse përzierja e përzier është e saktë, hiqeni shtojcën. Për të hequr shtojcën, ngrijeni pak për të ngjeshur plotësisht sustën, më pas kthejeni të gjithë bashkëngjitjen në anën e majtë dhe tërhiqeni poshtë.

8. Kthejeni tasin (4) në drejtim të kundërt të akrepave të orës dhe hiqni atë nga kutia e motorit (2) duke e mbajtur me të dy duart. Mos harroni se tasi mund të jetë i rëndë.

#### MËNYRA E MONTIMIT: Funkzioni i bluarjes

1. Vendosni tasin (4) në kutinë e motorit (2) dhe mbyllni krahun e strehës (1) duke shtypur dorezën e animit (7). Mos montoni asnjë shtojcë brenda tasit (4). Duhet t'ju mbrojt nga rrotullimi i folesë së bashkuesit të mikserit me susta (18). Është normale foleja lidhëse e mikserit me susta (18) të rrotullohet brenda enës kur përdoret grirësa.

2. Hiqni kapakun e përparmë (5) për të vendosur mulli.

3. Brenda dhomës së grirjes (17) vendosni pajisjen me krimba (15), më pas vendosni tehun kryq grirëse (14) të saktë. Kushtojini vëmendje vendosjes së saj në anën e duhur, njësoj siç tregohet në figurën C. Më pas, vendosni sitën e duhur (13) dhe vidhosni LEHTË dadori fiksuese (12) në fund.

VËREJTJE: dado fiksuese (12) duhet të vidhoset LEHTË PARA se të montoni të gjithë njësinë e grirës në kutinë e motorit (2). Është e nevojshme të rregulloni pozicionin e vrimës gjashtëkëndore (figura D1) në njësinë e grirjes në boshtin gjashtëkëndor në kutinë e motorit (2).

4. Vendosni njësinë e grirës në pozicionin e treguar në figurën D3 (pozicioni i pjerrësisë), shtyjeni atë brenda kutisë së motorit (2) dhe kthejeni majtas në pozicionin vertikal të treguar në figurën D4. Butoni i zi i rumbullakët afër njësisë së grirës do të kthehet në pozicionin e zgjatur. Vidhoseni fort dadën fiksuese (12) tani.

5. Montoni tabakën e grirjes (16) në majë të dhomës së grirjes (17).

6. Për të çmontuar njësinë e grirës, shtypni butonin e rumbullakët të zi në rend të kundërt.

#### PËRDORIMI: Funkzioni i mikserit

• Përzierja e brumit të rëndë (brumi i bukës, brumë majaje, etj.)

Montoni grepin e brumit (11). Vendosni përbërësit e ushqimit brenda tasit. Racioni i sugjeruar i miellit dhe ujit është: 5:3. Sasia maksimale e miellit: 1500g. Rekomandohet të filloni zierjen me shpejtësinë 1 ose 2 për jo më shumë se 20 sekonda funksionim të vazhdueshëm. Më pas, vendosni shpejtësinë 3 dhe veproni jo më shumë se 4 minuta vazhdimisht.

• Përzierja e përzierjeve të lehta (majonezë, brumë petullash, pandispanje, etj.)

Mblidhni rrahësin e përzierjes (10). Vendosni përbërësit e ushqimit brenda tasit në ¼ lartësinë maksimale të tasit. Ndizni shpejtësinë 3-4 dhe përzieni për aq kohë sa duhet për të aritur dendësinë e dëshiruar. Përdorni jo më shumë se 4 minuta vazhdimisht.

• Thërrmimi (të bardhat e vezëve, kremrat e kekut, kremi i rrahur, etj.)

Mblidhni rrahjen e vezëve (9).

Për rrahjen e të bardhëve të vezëve: Vendosni të bardhat e vezëve brenda në tas deri në 24 vezë. Ndizni shpejtësinë 4-6 dhe përzieni, rreth 5 minuta derisa të jetë e ngurtë. Koha e përzierjes varet nga madhësia e vezëve.

Për krem pana: vendosni të paktën 250 ml krem të freskët (të ftohur më parë në frigorifer për të paktën 8 orë). Përzieni me shpejtësi 4 deri në 6 për rreth 5 minuta. Mos e kaloni sasinë e ½ të lartë të tasit me krem të freskët të derdhur për të mbajtur hapësirë të mjaftueshme për krem pana.

**PËRDORIMI: Funksioni i mullirit**

1. Pritini të gjitha ushqimet në copa (rekomandohet viçi ose derri pa kocka, pa kocka dhe pa yndyrë, përmasa përafërsisht: (20 mm x 20 mm x 60 mm,) në mënyrë që të futen lehtësisht në tubin e grirjes (17).

2. Futeni pajisjen në prizë dhe ndizni dhe më pas kthejeni çelësin e kontrollit të shpejtësisë (8) në 4-6 shpejtësi.

3. Futni ushqimin në tepsi (16). Përdorni për të vetëm shtytësin plastik (6).

4. Pas përdorimit fiken pajisjen dhe shkëputeni nga priza.

5. Përdorni jo më shumë se 4 minuta vazhdimisht.

6. Pajisja është e pajisur në 3 sita me vrima me diametër 3mm, 5mm dhe 7mm, zgjedhi pjatën e përshtatshme të vrimës për pjatën tuaj të dëshiruar.

- Sitë 3 mm - rretjë e imët për bluarje deri në një konsistencë mjaft kompakte dhe uniforme. E përkryer për mbushje dhe pate.

- Sitë 5 mm - rretjë mesatare për bluarjen e mishit për kotelet e grira, hamburgerë, qofte dhe mbushje për petulla, petulla dhe tortilla. Duke përdorur këtë sitë mund të bluan edhe perime, djathë të fortë dhe madje edhe arra.

- Sitë 7 mm - rretjë e trashë për bluarjen e mishit me strukturë të veçantë. Sitësja është e destinuar për prodhimin e salsiveve dhe grykave.

**PAJISJE PËR MBROJTJE NGA NGROHJA**

Pajisja do të fiket automatikisht pas 15 minutash funksionimi të vazhdueshëm për të mbrojtur motorin nga mbinxehja. Duhet ta fikni pajisjen dhe ta lini të ftohet përpara përdorimit të radhës. Pajisja kur të ftohet do të funksionojë normalisht.

**PASTRIMI DHE MIRËMBAJTJA**

1. Para se të pastroni pajisjen, sigurohuni që kordoni i rrymës të jetë shkëputur nga priza dhe çelësi i kontrollit të shpejtësisë është në pozicionin "0". Lëreni pajisjen të ftohet përpara se ta pastroni.

2. Çmontoni të gjithë aksesorët nga kutia e motorit (2). Mos i pastroni aksesorët ndërsa janë montuar në pajisjen e makinës.

3. Mos përdorni detergjentë agresivë për të pastruar kutinë e motorit (2), pasi mund të heqë simbolet grafike informuese si: shkallë, shenja, shenja sigurie, etj.

4. Mos i lani pjesët metalike në pjatlarëse. Agjentët pastrues agresivë të përdorur në lavastovilje bëjnë që pjesët metalike të nxihen. Lani me dorë pjesët metalike duke përdorur lëngun tradicional larës. Përdorni furçë të butë.

5. Fshijini pjesët e jashtme me peshqir kuzhine ose leckë të butë.

6. Mos përdorni materiale gërryese për të pastruar pajisjen.

7. Mos e zhytni kutinë e motorit ( ) në ujë ose lëngje të tjera.

**TË DHËNAT TEKNIKE**

Furnizimi me energji elektrike: 220-240V ~50/60Hz

Fuqia: 1200 W

Fuqia maksimale: 2200 W

Tas inox 7 litra

Koha maksimale e funksionimit në një cikël: 15 minuta.

Koha minimale e pushimit ndërmjet cikleve: të paktën 10 minuta.

Për të mbrojtur mjedisin: ndani kartonat dhe qeset plastike dhe vendosini në kontejnerët e duhur të mbeturinave. Pajisja e përdorur duhet të dorëzohet në pika të veçanta grumbullimi që mund të ndikojnë në mjedis. Mos e hidhni këtë pajisje në mbeturina normale.





უსაფრთხოების პირობები. მნიშვნელოვანი ინსტრუქციები გამოყენების უსაფრთხოების შესახებ გთხოვთ, ყურადღებით წაიკითხოთ და შეინახეთ მომავალი მითითებისთვის

საგარანტიო პირობები განსხვავებულია, თუ მოწყობილობა გამოიყენება კომერციული მიზნით.

1. პროდუქტის გამოყენებამდე გთხოვთ ყურადღებით წაიკითხოთ და ყოველთვის დაიცვან შემდეგი ინსტრუქციები. მწარმოებელი არ არის პასუხისმგებელი რაიმე ბოროტად გამოყენების გამო რაიმე ზიანს.

2. პროდუქტი გამოიყენება მხოლოდ შიდა სივრცეში. არ გამოიყენოთ პროდუქტი რაიმე მიზნისთვის, რომელიც არ შეესაბამება მის გამოყენებას.

3. მოწყობილობის ძაბვა არის 220-240V, ~50/60Hz. უსაფრთხოების მიზეზების გამო, არ არის მიზანშეწონილი რამდენიმე მოწყობილობის დაკავშირება ერთ დენის განყოფილებაში.

4. ფრთხილად იყავით ბავშვების გარშემო გამოყენებისას. არ მისცეთ ბავშვებს საშუალება ითამაშონ პროდუქტით. არ მისცეთ ბავშვებს ან ადამიანებს, რომლებმაც არ იციან მოწყობილობა, გამოიყენონ იგი ზედამხედველობის გარეშე.

5. გაფრთხილება: ამ მოწყობილობის გამოყენება შეიძლება 8 წელზე უფროსი ასაკის ბავშვებმა და დაქვეითებული ფიზიკური, სენსორული ან გონებრივი შესაძლებლობების მქონე პირებმა, ან მოწყობილობის გამოცდილების ან ცოდნის გარეშე პირებმა, მხოლოდ მათ უსაფრთხოებაზე პასუხისმგებელი პირის მეთვალყურეობის ქვეშ, ან თუ მათ მიიღეს ინსტრუქცია მოწყობილობის უსაფრთხო გამოყენების შესახებ და იცოდნენ მის მუშაობასთან დაკავშირებული საფრთხეები. ბავშვებმა არ უნდა ითამაშონ მოწყობილობასთან. მოწყობილობის გაწმენდა და მოვლა არ უნდა ჩატარდეს ბავშვების მიერ, გარდა იმ შემთხვევისა, როდესაც ისინი არიან 8 წელზე უფროსი ასაკის და ეს აქტივობები ხორციელდება მეთვალყურეობის ქვეშ.

6. პროდუქტის გამოყენების დასრულების შემდეგ ყოველთვის გახსოვდეთ, რომ ნაზად ამოიღეთ შტეფსელი დენის

განყოფილებიდან, რომელსაც ხელით უჭირავს გამოსასვლელი. არასოდეს გაიყვანოთ დენის კაბელი!!!

7. არასოდეს დატოვოთ პროდუქტი ელექტროენერჯის წყაროსთან მიერთებული ზედამხედველობის გარეშე. მაშინაც კი, როდესაც გამოყენება შეფერხებულია მცირე ხნით, გამორთეთ იგი ქსელიდან, გამორთეთ დენი.

8. არასოდეს ჩადოთ დენის კაბელი, შტეფსელი ან მთელი მოწყობილობა წყალში. არასოდეს დაუშვათ პროდუქტი ატმოსფერულ პირობებში, როგორცაა მზის პირდაპირი შუქი ან წვიმა და ა.შ.. არასოდეს გამოიყენოთ პროდუქტი ტენიან პირობებში.

9. პერიოდულად შეამოწმეთ დენის კაბელის მდგომარეობა. თუ დენის კაბელი დაზიანებულია, სახიფათო სიტუაციების თავიდან აცილების მიზნით პროდუქტი უნდა გადაბრუნდეს პროფესიონალურ სერვისის ადგილზე.

10. არასოდეს გამოიყენოთ პროდუქტი დაზიანებული დენის კაბელით ან თუ ის ჩამოვარდა ან დაზიანდა სხვა გზით ან თუ ის არ მუშაობს გამართულად. არ შეეცადოთ თავად შეაკეთოთ დაზიანებული პროდუქტი, რადგან ამან შეიძლება გამოიწვიოს ელექტრო შოკი. ყოველთვის გადააბრუნეთ დაზიანებული მოწყობილობა პროფესიონალურ სერვისის ადგილზე მის შესაკეთებლად. ყველა შეკეთება შეიძლება გაკეთდეს მხოლოდ ავტორიზებული სერვისის სპეციალისტების მიერ. არასწორად გაკეთებულმა შეკეთებამ შეიძლება გამოიწვიოს მომხმარებლისთვის საშიში სიტუაციები.

11. არასოდეს დადოთ პროდუქტი ცხელ ან თბილ ზედაპირებზე ან სამზარეულოს მოწყობილობებზე, როგორცაა ელექტრო ღუმელი ან გაზის სანთურა.

12. არასოდეს გამოიყენოთ პროდუქტი წვასთან ახლოს.

13. არ დადოთ კაბელი დახლის კიდეზე და არ შეეხოთ ცხელ ზედაპირებს.

14. დამატებითი დაცვის უზრუნველსაყოფად რეკომენდებულია დენის წრედში ნარჩენი დენის მოწყობილობის (RCD) დაყენება, ნარჩენი დენის ნომინალით არაუმეტეს 30 mA. ამ საკითხში დაუკავშირდით პროფესიონალ ელექტრიკოსს.

15. მოწყობილობა არ არის განკუთვნილი სამრეწველო საკვების გადასამუშავებლად.
16. არ ჩაყაროთ საავტომობილო ბლოკი წყალში. არ დაიბანოთ ჭურჭლის სარეცხ მანქანაში. არ დაუშვათ მოწყობილობა და მისი აქსესუარები მაღალ ტემპერატურაზე (60°C-ზე მეტი).
17. აქსესუარების გაწმენდამდე და ამოღებამდე დააყენეთ სიჩქარის კონტროლი „0“-ზე და გამორთეთ კვების კაბელი.
18. მოწყობილობის მუშაობის დაწყებამდე შეამოწმეთ, არის თუ არა ყველა ნაწილი და აქსესუარი სწორად დამონტაჟებული:
  - პლანეტარული კვების პროცესორი: დარწმუნდით, რომ დანამატი სრულად არის ჩასმული ბუდეში, წინააღმდეგ შემთხვევაში თქვენი შერევის შედეგი შეიძლება დაზარალდეს.
  - ხორცის საფქვაკი: საფქვაკი შეკრება ფრთხილად უნდა იყოს აწყობილი. არაზუსტმა აწყობამ შეიძლება გამოიწვიოს დაფქვის ცუდი შესრულება და დანის და ხვრელის ფირფიტის გაბრუნება.
19. გამოიყენეთ მხოლოდ ორიგინალური აქსესუარები ხორცსაკეპ მანქანასთან და პლანეტარული კვების პროცესორთან ერთად.
20. არ გადატვირთოთ მოწყობილობა ჭარბი პროდუქტით და არ ჩადოთ პროდუქტი ძალიან ძლიერად. გამოიყენეთ მხოლოდ მწკრივი პროდუქტის ჩასართავად. სხვა საგნის გამოყენებამ შეიძლება დააზიანოს ხორცსაკეპი მანქანა.
22. დასაფქვაკი ხორცი არ უნდა იყოს ძვლების, ღრძილების, მყესების ან ვენების გარეშე. უფრო დიდი ნაწილები დაჰკრათ ნაჭრებად.
23. არ დაფაროთ სავენტილაციო ხვრელები კორპუსში, სანამ მოწყობილობა ჩართულია.
24. არ დაფქვათ მშრალი ყაყაჩოს თესლი. ყაყაჩოს თესლი დაფქვამდე საჭიროა ორთქლზე მოხარშვა და გაჟღენთვა.
25. საკვების ინგრედიენტებით შევსებისას არ აღემატებოდეს  $\frac{3}{4}$  თასის სიმაღლეს.
26. შეინახეთ მოწყობილობა ბავშვებისთვის მიუწვდომელ ადგილას.

პროდუქტის აღწერა: მრავალფუნქციური პლანეტარული კვების პროცესორი AD4221

1.საბინაო მკლავი 2. ძრავის კორპუსი

3.დაფრქვევის საწინააღმდეგო საფარი 4.სარევი თასი 7,0ლ

5.საწურს წინა საფარი 6.პლასტმასის ამწე

7. დახრის ღილაკი 8. სიჩქარის კონტროლის ღილაკი
9. კვრეცხის სათქვეფი 10. შერევის სათქმელი
11. ცომის კაკალი 12. სამაგრი კაკალი
13. საცრები 3, 5, 7 მმ 14. საფქვაკი ჯვარი დანა
15. ჭიის მექანიზმი 16. საფქვაკი უჯრა
17. საფქვაკი კამერა 18. მიქსერის სამაგრი ბუდე ზამბარით

პირველ გამოყენებამდე

1. მოწყობილობის ყველა ნაწილი კარგად უნდა გაიწმინდოს პირველად გამოყენებამდე. იხილეთ სექცია: „დასუფთავება და მოვლა“.
2. დადგით მოწყობილობა ჰორიზონტალურ და ბრტყელ ზედაპირზე.
3. არასოდეს მართეთ მოწყობილობა ზედამხედველობის გარეშე.
4. არ შეეხეთ მოძრავ ნაწილებს თითებით. გააჩერეთ მბრუნავი აქსესუარები თასის გახსნამდე. გაფრთხილება: არ გამოიყენოთ ერთდროულად შერევის და დაფქვის ფუნქციები!! გამოიყენეთ მხოლოდ ერთი მათგანი.
  - შერევის ფუნქციის გამოყენებისას წინა საფარი (5) უნდა განთავსდეს თავის პოზიციაზე.
  - დაფქვის ფუნქციის გამოყენებისას თასი (4) დაწურვის საწინააღმდეგო საფარით (3) უნდა განთავსდეს თავის პოზიციაზე, რათა დაიცვან საბოლოო მომხმარებელი მიქსერის დამაგრების ბუდის ზამბარით (18) როტაციისგან.
5. გამორთეთ მოწყობილობა და გამორთეთ მიწოდება აქსესუარების შეცვლამდე.

შეკრების გზა: მიქსერის ფუნქცია

კვების პროცესორის აწყობამდე დარწმუნდით, რომ დენის კაბელი გამორთულია დენის განყოფილებიდან და სიჩქარის კონტროლის ღილაკი არის „0“ პოზიციაზე.

1. მოათავსეთ თასი საავტომობილო ერთეულში, შემდეგ გადაატრიალეთ ის საათის ისრის მიმართულებით, სანამ არ იგრძნობთ, რომ ველარ გადაადგილება მარცხნივ. თასი დაბლოკილია.
2. აირჩიეთ შესაბამისი დანართი საჭირო ოპერაციისთვის:
  - კვრეცხის სათქვეფი (9) ათქვიფეთ: კვრეცხის ცილა, ნამცხვრის კრემები, ათქვეფილი ნაღები და ა.შ.
  - ათქვეფილი (10) მსუბუქი ნარეუების შერევისთვის: მაიონეზი, ბლინების ცომი, ღრუბლის ნამცხვარი და ა.შ.
  - ცომის კაუჭი (11) მძიმე ცომის მოსაზეღად: პურის ცომი, საფუარი ცომი და ა.შ.
3. მოათავსეთ სათანადო დანამატი (9 ან 10 ან 11) მიქსერის სამაგრის ბუდის ჭანჭიკზე ზამბარით (18). დაარეგულირეთ ორი ამობურცული ლითონის ელემენტის პოზიცია, რომ შევიდეს მიქსერის დამაგრების ბუდის ჩაზნექილ ადგილებში ზამბარით (18) – შეხედეთ სურათს A. აწიეთ დანამატი ზევით, სანამ ზამბარა სრულ შეკუმშვას არ მოაქვს, მთლიანად მოაბრუნეთ საათის ისრის მიმართულებით და გაათავისუფლეთ – შეხედეთ სურათს B. .
4. ჩაყარეთ საკვების ინგრედიენტები თასში და დააჭირეთ დახრის სახელურს (7) ქვემოთ, რომ დახუროთ საყრდენი მკლავი (1).
5. შეაერთეთ მოწყობილობა და დააბრუნეთ სიჩქარის ღილაკი (8) საჭირო სიჩქარისთვის. სიჩქარე 0 ნიშნავს ძრავის გაჩერებას, სიჩქარე 1 ნიშნავს ყველაზე ნელ სიჩქარეს, სიჩქარე 6 ნიშნავს მაქსიმალურ ბრუნვას. P - ნიშნავს პულსის რეჟიმს, ეს ნიშნავს გადაცემათა პულსის როტაციას, როდესაც ღილაკი (8) ინახება პულსის პოზიციაზე.
6. გამოყენების შემდეგ გამორთეთ მოწყობილობა სიჩქარის ღილაკი (8) 0 პოზიციაზე და გამორთეთ მოწყობილობა.
7. დააჭირეთ დახრის სახელურს (7) ქვედა მხარეს, რათა აწიოთ საბინაო მკლავი (1). თუ შერეული ნარევი სწორია, ამოიღეთ დანამატი. დანამატის წასაღებად, ოდნავ აწიეთ, რომ ზამბარა მთლიანად შეკუმშოს, შემდეგ მოაბრუნეთ მარცხენა მხარის მთლიანი დანამატი და ჩამოწიეთ ქვემოთ.
8. მოაბრუნეთ თასი (4) საათის ისრის საწინააღმდეგოდ და ამოიღეთ იგი ძრავის კორპუსიდან (2) ორივე ხელით დაჭერით. გახსოვდეთ, რომ თასი შეიძლება მძიმე იყოს.

შეკრების გზა: საფქვაკი ფუნქცია

1. მოათავსეთ თასი (4) ძრავის კორპუსზე (2) და დახურეთ სახლის მკლავი (1) დახრის სახელურზე (7) დაჭერით. არ დაამონტაჟოთ რაიმე დანამატი თასის შიგნით (4). საჭიროა დაგივცათ მიქსერის დამაგრების ბუდის ზამბარით (18) როტაციისგან. ნორმალურია, მიქსერის სამაგრი ბუდე ზამბარით (18) ტრიალებს თასის შიგნით საფექავის გამოყენებისას.
  2. ამოიღეთ წინა საფარი (5) საფექავის დასაყენებლად.
  3. დაფქვის კამერის შიგნით (17) მოათავსეთ ჭინი მექანიზმი (15), შემდეგ მოათავსეთ დაფქვის ჯვრის პირი (14) სწორად. მიაქციეთ ყურადღება, რომ მოათავსოთ სწორი მხარე, ისევე, როგორც ნაჩვენებია სურათზე C. შემდეგ, მოათავსეთ შესაბამისი საწური (13) და ბოლოს მსუბუქად დაჭერით სამაგრი კაკალი (12).
- შენიშვნა: დასამაგრებელი კაკალი (12) უნდა იყოს მსუბუქად ხრახნიანი, სანამ მთლიანი დაფქვის დანადგარი ძრავის კორპუსში (2) აწყობთ. საჭიროა დაარეგულიროთ ექვსკუთხა ხვრელის პოზიცია (სურათი D1) დაფქვის ერთეულში ექვსკუთხა ლილვთან ძრავის კორპუსში (2).
4. მოათავსეთ საფექავი დანადგარი იმ მდგომარეობაში, რომელიც ნაჩვენებია სურათზე D3 (დახრილი პოზიცია), ჩასვით ძრავის კორპუსის შიგნით (2) და მოუხვიეთ მარცხნივ კერტიკალურ მდგომარეობაში, რომელიც ნაჩვენებია სურათზე D4. შავი მრგვალი ლილაკი, რომელიც მდებარეობს საფექავის მოწყობილობასთან, დაბრუნდება ამობურცულ მდგომარეობაში. ახლა მჭიდროდ გადაამარეთ სამაგრი კაკალი (12).
  5. დადეთ საფექავი უჯრა (16) საფექავი კამერის (17) თავზე.
  6. საფექავის დანადგარის დემონტაჟისთვის, დააჭირეთ შავ მრგვალ ლილაკს, იმოქმედეთ საპირისპირო თანმიმდევრობით.

**გამოყენება: მიქსერის ფუნქცია**

- მიიმე ცომის მოხელვა (პურის ცომი, საფუარი ცომი და ა.შ.)
- აკრიფეთ ცომის კაუჭი (11). ჩაყარეთ საკვების ინგრედიენტები თასში. ფქვილისა და წყლის რეკომენდებული რაციონი არის: 5:3. ფქვილის მაქსიმალური რაოდენობა: 1500გრ.
- რეკომენდირებულია ზელვის დაწყება 1 ან 2 სიჩქარით არა უმეტეს 20 წამის უწყვეტი მუშაობის განმავლობაში. შემდეგი, დააყენეთ სიჩქარე 3 და იმოქმედეთ არა უმეტეს 4 წუთისა უწყვეტად.
- მსუბუქი ნარევების შერევა (მაინოზი, ბლინების ცომი, ნამცხვარი და ა.შ.)
- აკრიფეთ შემრევი საცემი (10). მოათავსეთ საკვები ინგრედიენტები თასში თასის მაქსიმუმ ¼ სიმაღლეზე. ჩართეთ სიჩქარე 3-4 და აურიეთ იმდენ ხანს, რომ მიაღწიოთ სასურველ სიმკვრივეს. გამოიყენეთ არა უმეტეს 4 წუთისა უწყვეტად.
- ათქვეფა (კვერცხის ცილა, ნამცხვრის კრემები, ათქვეფილი ნალები და ა.შ.)
- აკრიფეთ კვერცხის სათქვეფი (9).
- კვერცხის ცილისთვის: ჩაყარეთ ცილა თასში მაქსიმუმ 24 კვერცხამდე. ჩართეთ სიჩქარე 4-6 და აურიეთ, დაახლოებით 5 წუთით, სანამ არ გამაგრდება. შერევის დრო დამოკიდებულია კვერცხების ზომაზე.
- ათქვეფილი კრემისთვის: მოაყარეთ მინიმუმ 250 მლ ახალი ნალები (წინასწარ გაგრილებული მაცივარში მინიმუმ 8 საათით). აურიეთ 4-დან 6-მდე სიჩქარით დაახლოებით 5 წუთის განმავლობაში. არ გადააჭარბოთ 1/2 ჭიქის რაოდენობას დაასხით ახალი კრემის თასში, რომ საკმარისი ადგილი დარჩეს ათქვეფილი კრემისთვის.

**გამოყენება: საფექავი ფუნქცია**

1. ყველა საკვები დავჭრათ ნაჭრებად (რეკომენდირებულია ძროხის ან ღორის უცხიმო, უცხიმო და უცხიმო ხორცი, დაახლოებით ზომით: (20 მმ x 20 მმ x 60 მმ), ისე, რომ ადვილად მოთავსდეს დაფქვის მილში (17).
  2. შეაერთეთ მოწყობილობა და ჩართეთ და შემდეგ ჩართეთ სიჩქარის კონტროლის ლილაკი (8) 4-6 სიჩქარეზე.
  3. შეიტანეთ საკვები დაფქვის უჯრაში (16). გამოიყენეთ ამისთვის მხოლოდ პლასტმასის მწკრივი (6).
  4. გამოყენების შემდეგ გამორთეთ მოწყობილობა და გამორთეთ დენის წყაროდან.
  5. გამოიყენეთ არა უმეტეს 4 წუთისა უწყვეტად.
  6. მოწყობილობა აღჭურვილია 3 საცერში 3მმ, 5მმ და 7მმ ხვრელების დიამეტრით, შეარჩიეთ თქვენთვის სასურველი ჭურჭლის შესაფერისი ნახვრეტი.
- 3 მმ საცერი - თხელი ბადე საკვამოდ კომპაქტური ერთგვაროვანი კონსისტენციის დასაფექავად.

იდეალურია შიგთავსისა და პაშტესთვის.

- 5 მმ საწური - საშუალო ბადე ხორცის დასაფქვავად დაქუცმაცებული კოტლეტებისთვის, ბურგერებისთვის, ხორცის ბურთულებისთვის და შიგთავსებისთვის პელმენებისთვის, ბლინებისა და ტორტილებისთვის. ამ საწურის გამოყენებით ასევე შეგიძლიათ დაფქვით ბოსტნეული, მყარი ყველი და თხილიც კი.

- 7 მმ საწური - სქელი ბადე ხორცის დასაფქვავად მკაფიო სტრუქტურით. საწური განკუთვნილია სოსისებისა და ძეხვების წარმოებისთვის.

გადახურებისგან დაცვის მოწყობილობა

მოწყობილობა ავტომატურად გამოირთვება 15 წუთის უწყვეტი მუშაობის შემდეგ, რათა დაიცვას ძრავა გადახურებისგან. საჭიროა მოწყობილობის გამორთვა და გაცივება მომდევნო გამოყენებამდე. გაცივებისას მოწყობილობა ნორმალურად იმუშავებს.

დასუფთავება და მოვლა

1. მოწყობილობის გაწმენდამდე დარწმუნდით, რომ დენის კაბელი გამორთულია დენის განყოფილებიდან და სიჩქარის კონტროლის ლილაკი არის "0" პოზიციისაზე. გაწმენდის წინ გაცივებთ მოწყობილობა.

2. დაშალეთ ყველა აქსესუარი ძრავის კორპუსიდან (2). არ გაასუფთაოთ აქსესუარები, როდესაც ისინი დამონტაჟებულია მანქანის დისკზე.

3. არ გამოიყენოთ აგრესიული სარეცხი საშუალებები ძრავის კორპუსის (2) გასაწმენდად, რადგან ამან შეიძლება წაშალოს ინფორმაციული გრაფიკული სიმბოლოები, როგორცაა: მასშტაბი, ნიშნები, უსაფრთხოების ნიშნები და ა.შ.

4. არ გარეცხოთ ლითონის ნაწილები ჭურჭლის სარეცხ მანქანაში. ჭურჭლის სარეცხ მანქანებში გამოყენებული აგრესიული საწმენდი საშუალებები იწვევს ლითონის ნაწილების გაშავებას. გარეცხეთ ლითონის ნაწილები ტრადიციული სარეცხი სითხის გამოყენებით. გამოიყენეთ რბილი ფუნჯი.

5. გაწმინდეთ გარე ნაწილები სამზარეულოს პირსახოცით ან რბილი ქსოვილით.

6. არ გამოიყენოთ აბრაზიული მასალები მოწყობილობის გასაწმენდად.

7. არ ჩაძიროთ ძრავის კორპუსი ( ) წყალში ან სხვა სითხეებში.

ტექნიკური მონაცემები

კვების ბლოკი: 220-240V ~50/60Hz

სიმძლავრე: 1200 W

მაქსიმალური სიმძლავრე: 2200 W

უჟანგავი ფოლადის თასი 7 ლიტრი

მუშაობის მაქსიმალური დრო ერთ ციკლში: 15 წუთი.

ციკლებს შორის დასვენების მინიმალური დრო: მინიმუმ 10 წუთი.



თქვენი გარემოს დასაცავად: გთხოვთ გამოყოთ მუყაოს ყუთები და პლასტიკური ჩანთები და გადაყარეთ ისინი შესაბამის ნაგვის ურნაში. გამოყენებული მოწყობილობა უნდა მიეწოდოს სპეციალურ შემგროვებელ პუნქტებს სამიში კომპონენტების გამო, რამაც შეიძლება გავლენა მოახდინოს გარემოზე. არ გადააგდოთ ეს მოწყობილობა საერთო ნაგვის ურნაში.

## KARTA GWARANCYJNA

WARUNKI GWARANCJI obowiązują na terenie Rzeczypospolitej Polskiej Adler Sp. z o.o. ul. Ordona 2a 01-237 Warszawa zapewnia Użytkownika o dobrej jakości sprzętu, na który wydana jest niniejsza karta gwarancyjna i udziela 24 miesięcznej gwarancji, która liczy się od daty zakupu sprzętu. Usługi gwarancyjne świadczone są po okazaniu prawidłowo wypełnionej karty gwarancyjnej. Wady lub uszkodzenia sprzętu ujawnione w okresie gwarancji usuwane będą bezpłatnie przez Serwis Centralny. W przypadku zakupu sprzętu przez przedsiębiorcę (faktura VAT) okres gwarancji wynosi 12 miesięcy. Powyższy zapis nie dotyczy jednoosobowych działalności gospodarczych, o ile rodzaj zakupionego sprzętu, nie jest związany z profilem prowadzonej działalności gospodarczej – weryfikacja w CEIDG.

W przypadku wymiany rzeczy na nową, albo po dokonaniu istotnej naprawy, okres gwarancji biegnie na nowo od chwili dostarczenia klientowi rzeczy wolnej od wad, lub zwrócenia rzeczy naprawionej. Jeżeli gwarant wymienił część rzeczy, przepis powyższy stosuje się odpowiednio do części wymienionej. Gwarant zobowiązuje się pokryć koszty dostarczenia rzeczy do serwisu na adres wskazany w karcie gwarancyjnej. Jednakże uprawniony z gwarancji powinien zachować rozsądek, wybierając środek transportu. Uprawnionemu z gwarancji nie przysługują od gwaranta zwrot kosztów dostarczenia towaru – rzeczy do naprawy gwarancyjnej, przekraczający ekonomicznie uzasadnione koszty przewozu.

UWAGA: Sprzęt przeznaczony jest wyłącznie do użytku domowego. Naprawami gwarancyjnymi nie są objęte czynności związane z odkamienianiem, konserwacją, czyszczeniem urządzenia oraz części i akcesoria ulegające zużyciu przy normalnym użytkowaniu. Gwarancja nie obejmuje mechanicznych uszkodzeń sprzętu oraz wad i uszkodzeń wynikłych wskutek:

- niewłaściwego lub niezgodnego z instrukcją użytkowania, przechowywania i konserwacji;
  - ingerencji nieautoryzowanego serwisu, samowolnych napraw, przeróbek i zmian konstrukcyjnych;
  - użycia niewłaściwych materiałów eksploatacyjnych.
  - uszkodzeń mechanicznych, termicznych, chemicznych i powstałych na skutek przepięcia w sieci.
- karta gwarancyjna jest nieważna bez daty zakupu, pieczęci sprzedającego i kopii dokumentu zakupu.
- gwarancją nie są objęte elementy eksploatacyjne i akcesoria w tym: elementy szklane (np. dzbanki, talerze), sznury przyłączeniowe, sieciowe, żarówki, baterie, nożyki i folie do urządzeń tnących, nasadki miksujące, trzepaki, mieszaki, ssawkoszczotki, rury, węże, kubki miksujące, głowice tnące i sita.

Reklamowany sprzęt jest dostarczany do Serwisu Centralnego przez Klienta w stanie kompletnym i odpowiednio zabezpieczony na czas transportu. Po dokonanej naprawie reklamowany sprzęt odbierany jest z Serwisu Centralnego przez Klienta.

Termin usunięcia wady może zostać wydłużony o czas potrzebny do importu niezbędnych części, nie dłuższy niż 30 dni roboczych. W każdym takim przypadku warsztat serwisowy powiadomi klienta o wydłużeniu terminu naprawy gwarancyjnej. W związku z koniecznością sprowadzenia części zamiennych i poinformuje o nowym terminie usunięcia wady.

W przypadku stwierdzenia usterki należy ją zgłosić w punkcie sprzedaży lub w Serwisie Centralnym, ul. Ordona 2A, 01-237 Warszawa, tel. 728-595-006 lub e-mail: [serwis@adler.com.pl](mailto:serwis@adler.com.pl).

W zgłoszeniu proszę podać swój adres, nr telefonu i opis usterki. Do reklamacji konieczne jest dołączenie kopii dokumentu zakupu.

Gwarancja nie wyłącza ani nie ogranicza oraz nie zawieszają uprawnień kupującego wynikających z przepisów o rękojmi za wady rzeczy sprzedanej.



adnotacja serwisu:

SERWIS CENTRALNY  
01-237 Warszawa ul.Ordona 2A  
tel. 728 - 595 - 006  
[serwis@adler.com.pl](mailto:serwis@adler.com.pl) [www.adler.com.pl](http://www.adler.com.pl)

.....  
(data sprzedaży)  
.....  
(pieczęć sklepu i podpis sprzedawcy)

### W trosce o środowisko..

Opakowania kartonowe oraz worki polietylenowe (PE) należy wrzucać do odpowiednich pojemników przeznaczonych do selektywnej zbiórki odpadów komunalnych zgodnie z ich opisem. Jeżeli w urządzeniu znajdują się baterie, należy je wyjąć i osobno oddać do punktu zbierania i składowania. Zużyte urządzenie należy oddać do odpowiedniego punktu zbierania i składowania, gdyż znajdujące się w nim niebezpieczne substancje mogą stanowić zagrożenie dla zdrowia i środowiska. Oznaczenie umieszczone na produkcie wskazuje, że urządzenia nie należy wyrzucać do pojemnika z odpadami komunalnymi.

Zużyty sprzęt elektryczny, to odpady, które zawierają substancje szkodliwe dla ludzi, zwierząt i środowiska. Substancje te mogą doprowadzić do zanieczyszczenia gleby, wody lub powietrza, a poprzez to mogą się dostać do organizmu człowieka i doprowadzić do licznych dolegliwości zdrowotnych, takich jak: zaburzenia wzroku, słuchu, mowy, mogą również doprowadzić do uszkodzenia nerek, wątroby i serca, oraz wywołać choroby skóry. Substancje szkodliwe mogą mieć również niekorzystny wpływ na układ oddechowy i rozrodczy oraz doprowadzić do zamian nowotworowych. Spożycie roślin rosnących na skażonych glebach, oraz produktów powstałych z nich może grozić w/w skutkami zdrowotnymi.

**Urządzenia nie wyrzucać do pojemnika na odpady komunalne !!!!**

WARUNKI BEZPIECZEŃSTWA.  
WAŻNE INSTRUKCJE BEZPIECZEŃSTWA UŻYTKOWANIA  
PROSZĘ UWAŻNIE PRZECZYTAĆ I ZACHOWAĆ DO WYKORZYSTANIA W  
PRZYSZŁOŚCI

Warunki gwarancji są inne, jeśli urządzenie jest wykorzystywane do celów komercyjnych.

1. Przed użyciem produktu przeczytaj uważnie i zawsze stosuj się do poniższych instrukcji. Producent nie ponosi odpowiedzialności za jakiegokolwiek uszkodzenia powstałe w wyniku niewłaściwego użytkowania.

2. Produkt może być używany wyłącznie w pomieszczeniach. Nie używaj produktu do celów niezgodnych z jego zastosowaniem.

3. Napięcie urządzenia wynosi 220-240V, ~50/60Hz. Ze względów bezpieczeństwa nie należy podłączać wielu urządzeń do jednego gniazdka elektrycznego.

4. Zachowaj ostrożność podczas korzystania z dziećmi. Nie pozwalaj dzieciom bawić się produktem. Nie pozwalaj dzieciom lub osobom nieznającym urządzenia korzystać z niego bez nadzoru.

5. **OSTRZEŻENIE:** To urządzenie może być używane przez dzieci powyżej 8 roku życia oraz osoby o ograniczonych zdolnościach fizycznych, sensorycznych lub umysłowych lub osoby bez doświadczenia lub wiedzy o urządzeniu, wyłącznie pod nadzorem osoby odpowiedzialnej za ich bezpieczeństwo lub jeśli zostali pouczeni o bezpiecznym użytkowaniu urządzenia i są świadomi zagrożeń związanych z jego obsługą. Dzieci nie powinny bawić się urządzeniem. Czyszczenie i konserwacja urządzenia nie powinny być wykonywane przez dzieci, chyba że ukończyły 8 rok życia i czynności te są wykonywane pod nadzorem.

6. Po zakończeniu używania produktu zawsze pamiętaj, aby delikatnie wyjąć wtyczkę z gniazdka trzymając gniazdko ręką. Nigdy nie ciągnij za kabel zasilający!!!

7. Nigdy nie pozostawiaj produktu podłączonego do źródła zasilania bez nadzoru. Nawet jeśli korzystanie zostanie przerwane na krótki czas, wyłącz go z sieci, odłącz zasilanie.

8. Nigdy nie wkładaj kabla zasilającego, wtyczki ani całego urządzenia do wody. Nigdy nie wystawiaj produktu na działanie warunków atmosferycznych, takich jak bezpośrednie światło słoneczne lub deszcz itp. Nigdy nie używaj produktu w wilgotnych warunkach.

9. Okresowo sprawdzaj stan kabla zasilającego. Jeśli kabel zasilający jest uszkodzony, produkt należy przekazać do profesjonalnego punktu serwisowego w celu wymiany, aby uniknąć niebezpiecznych sytuacji.

10. Nigdy nie używaj produktu z uszkodzonym przewodem zasilającym lub jeśli został upuszczony lub uszkodzony w inny sposób lub jeśli nie działa prawidłowo. Nie próbuj samodzielnie naprawiać uszkodzonego produktu, ponieważ może to doprowadzić do porażenia prądem. Uszkodzone urządzenie należy zawsze oddać do profesjonalnego punktu serwisowego w celu naprawy. Wszelkie naprawy mogą być wykonywane wyłącznie przez autoryzowanych serwisantów. Nieprawidłowo wykonana naprawa może spowodować niebezpieczne sytuacje dla użytkownika.



11. Nigdy nie umieszczaj produktu na lub w pobliżu gorących lub ciepłych powierzchni lub urządzeń kuchennych, takich jak piekarnik elektryczny lub palnik gazowy.
12. Nigdy nie używaj produktu w pobliżu materiałów palnych.
13. Nie pozwól, aby przewód zwiisał z krawędzi blatu lub dotykał gorących powierzchni.
14. W celu zapewnienia dodatkowej ochrony zaleca się zainstalowanie w obwodzie zasilania wyłącznika różnicowoprądowego (RCD) o prądzie różnicowym nie większym niż 30 mA. Skontaktuj się w tej sprawie z profesjonalnym elektrykiem.
15. Urządzenie nie jest przeznaczone do przemysłowego przetwarzania żywności.
16. Nie zanurzaj jednostki silnikowej w wodzie. Nie myć w zmywarkach. Nie wystawiaj urządzenia i jego akcesoriów na działanie wysokich temperatur (powyżej 60°C).
17. Przed czyszczeniem i demontażem akcesoriów ustaw regulator prędkości w pozycji „0” i odłącz kabel zasilający.
18. Przed uruchomieniem urządzenia sprawdź, czy wszystkie części i akcesoria są prawidłowo zamontowane:
  - planetarny robot kuchenny: upewnij się, że nasadka jest całkowicie włożona do gniazda, w przeciwnym razie może to wpłynąć na wynik miksowania.
  - maszynka do mięsa: zespół mielący musi być starannie zmontowany. Niedokładny montaż może spowodować słabą wydajność mielenia oraz stępienie noża i sitek z otworami.
19. Używaj tylko oryginalnych akcesoriów dostarczonych z maszynką do mięsa i planetarnym robotem kuchennym.
20. Nie przeciążaj urządzenia nadmiarem produktu ani nie wpychaj produktu zbyt mocno. Do wsuwania produktu należy używać wyłącznie popychacza. Użycie innego przedmiotu może uszkodzić maszynkę do mięsa.
22. Mięso przeznaczone do mielenia powinno być pozbawione kości, chrząstek, ścięgien lub żył. Pokrój większe części na kawałki.
23. Nie zakrywaj otworów wentylacyjnych w obudowie, gdy urządzenie jest włączone.
24. Nie mielić suchego maku. Przed zmieleniem mak należy ugotować na parze i namoczyć.
25. Nie przekraczać wysokości  $\frac{3}{4}$  miski podczas napełniania składnikami żywności.
26. Przechowuj urządzenie w miejscu niedostępnym dla dzieci.

Opis produktu: Wielofunkcyjny robot planetarny AD4221

- |                                      |   |
|--------------------------------------|---|
| 1. Ramię obudowy                     | 2. Obudowa silnika                        |
| 3. Pokrywa przeciwbryzgowa           | 4. Miska 7,0 litra                        |
| 5. Przednia pokrywa maszyny do mięsa | 6. Plastikowy popychacz                   |
| 7. Pokrętko pochylenia               | 8. Pokrętko regulacji prędkości           |
| 9. Trzepaczka do jajek               | 10. Trzepaczka do mieszania               |
| 11. Hak do ciasta                    | 12. Nakrętka mocująca                     |
| 13. Sita 3, 5, 7 mm                  | 14. Ostrze krzyżakowe do mielenia         |
| 15. Przekładnia ślimakowa            | 16. Taca do mielenia                      |
| 17. Komora mielenia                  | 18. Gniazdo mieszadła miksera ze sprężyną |

#### PRZED PIERWSZYM UŻYCIEM

1. Wszystkie części urządzenia należy dokładnie wyczyścić przed pierwszym użyciem. Patrz rozdział: „Czyszczenie i konserwacja”.
2. Ustaw urządzenie na poziomej i płaskiej powierzchni.
3. Nigdy nie używaj urządzenia bez nadzoru.

4. Nie dotykaj palcami ruchomych części. Pozwól obracającym się akcesoriom zatrzymać się przed otwarciem miski.  
UWAGA: NIE UŻYWAJ FUNKCJI MIESZANIA I MIELENIA W TYM SAMYM CZASIE !! UŻYWAJ TYLKO JEDNEGO Z NICH.

W przypadku korzystania z funkcji miksowania przednia pokrywa (5) powinna znajdować się na swoim miejscu.

W przypadku korzystania z funkcji mielenia miska (4) z pokrywką przeciwbryzgową (3) powinna znajdować się na swoim miejscu, aby zabezpieczyć użytkownika końcowego przed obracaniem się gniazda przystawki miksera ze sprężyną (18).

5. Wyłączyć urządzenie i odłączyć od zasilania przed wymianą akcesoriów.

#### SPOSÓB MONTAŻU: Funkcja miksera

Przed montażem robota kuchennego upewnij się, że przewód zasilający jest odłączony od gniazodka elektrycznego, a pokrętko regulacji prędkości znajduje się w pozycji „0”.

1. Umieść miskę w jednostce silnikowej, a następnie obróć ją zgodnie z ruchem wskazówek zegara, aż poczujesz, że nie może się już przesunąć w lewo. Miska jest zablokowana.

2. Wybierz odpowiednie mieszadło do wymaganej czynności:

- Trzepaczka do jajek (9) do ubijania białek, kremów do ciast, bitej śmietany, itp.

- Trzepaczka (10) do mieszania lekkich mieszanek: majonez, ciasto naleśnikowe, biszkopt, itp.

- Hak (11) do wyrabiania ciasta ciężkiego: ciasto chlebowe, drożdżowe, itp.

3. Załóż odpowiednie mieszadło (9 lub 10 lub 11) na gniazdo mieszadła ze sprężyną (18). Wyreguluj położenie dwóch wystających metalowych elementów, aby znalazły się we wklęsłych miejscach gniazda mocującego mieszadło ze sprężyną (18) – patrz rysunek A. Popchnij nasadkę do góry, aż sprężyna zostanie całkowicie ściśnięta, przekręć do końca zgodnie z ruchem wskazówek zegara i zwolnij – patrz rysunek B.

4. Włóż składniki żywnościowe do miski i naciśnij pokrętko pochylenia (7) w dół, aby zamknąć ramię obudowy (1).

5. Podłącz urządzenie i obróć pokrętko prędkości (8), aby uzyskać żądaną prędkość. Prędkość 0 oznacza zatrzymanie silnika, prędkość 1 oznacza najwolniejszą prędkość, prędkość 6 oznacza maksymalne obroty. P – oznacza tryb impulsowy, czyli impulsowy ruch kół zębatach, gdy pokrętko (8) jest utrzymywane w pozycji impulsowej.

6. Po użyciu wyłącz urządzenie przekręcając pokrętko prędkości (8) do pozycji 0 i odłącz urządzenie.

7. Naciśnij pokrętko pochylenia (7) w dół, aby podnieść ramię obudowy (1). Jeśli wymieszana mieszanka jest prawidłowa, zdejmij nasadkę. Aby zdjąć nasadkę, unieś ją trochę, aby całkowicie ściśnąć sprężynę, potem obróć całą nasadkę w lewą stronę i pociągnij ją w dół.

8. Obróć miskę (4) w kierunku przeciwnym do ruchu wskazówek zegara i wyjmij ją z obudowy silnikowej (2), trzymając obiema rękami.

Pamiętaj, że miska może być ciężka.

#### SPOSÓB MONTAŻU: Funkcja mielenia

1. Umieść miskę (4) na obudowie silnika (2) i zamknij ramię obudowy (1), naciskając pokrętko przechyłu (7). Nie montuj żadnych mieszadeł wewnątrz miski (4). Należy zabezpieczyć cię przed obracaniem gniazda mocującego miksera ze sprężyną (18). To normalne, że gniazdo mocujące miksera ze sprężyną (18) obraca się wewnątrz miski podczas używania maszyny do mielenia.

2. Zdejmij przednią pokrywę (5), aby włożyć maszynkę do mięsa.

3. Do wnętrza komory mielenia (17) włożyć przekładnię ślimakową (15), następnie prawidłowo załóż krzyżakowe ostrze mielenia (14).

Zwróć uwagę, aby umieścić je właściwą stroną, tak jak pokazano na rysunku C. Następnie umieść odpowiednie sitko (13) i LEKKO przykręć nakrętkę mocującą (12) na końcu.

UWAGA: nakrętkę mocującą (12) należy dokręcić LEKKO PRZED montażem całego zespołu mielącego do obudowy silnika (2). Należy dopasować położenie sześciokątnego otworu (rys. D1) w zespole mielącym do sześciokątnego wału w obudowie silnika (2).

4. Ustawić zespół mielący w pozycji pokazanej na rysunku D3 (pozycja nachylona), wsunąć go do obudowy silnika (2) i obrócić w lewo do pozycji pionowej pokazanej na rysunku D4. Czarny okrągły przycisk znajdujący się obok zespołu mielącego wróci do pozycji wystającej. Teraz mocno dokręć nakrętkę mocującą (12).

5. Zamontuj tackę do mielenia (16) na górze komory mielenia (17).

6. Aby zdemontować zespół mielący, naciśnij czarny okrągły przycisk i postępuj w odwrotnej kolejności.

#### SPOSÓB UŻYCIA: Funkcja miksera

Wyrabianie ciężkiego ciasta (ciasto chlebowe, drożdżowe itp.)

Zamontuj hak do ciasta (11). Włóż składniki żywnościowe do miski. Sugerowana proporcja mąki i wody to: 5:3. Maksymalna ilość mąki: 1500g. Zaleca się rozpoczęcie ugniatania z prędkością 1 lub 2 przez nie dłużej niż 20 sekund ciągłej pracy. Następnie ustaw prędkość 3 i działaj nieprzerwanie nie dłużej niż 4 minuty.

Mieszanie lekkich mieszanek (majonez, ciasto naleśnikowe, biszkopt itp.)

Zamontuj ubijak do mieszania (10). Umieść składniki żywnościowe w misce na maks. ¾ wysokości miski. Włącz prędkość 3-4 i mieszaj tak długo, aż osiągniesz pożądaną gęstość. Używaj nie dłużej niż 4 minuty bez przerwy.

Ubijanie (białka jajek, kremy do ciast, bita śmietana itp.)

Załóż trzepaczkę do jajek (9).

Do ubijania białek: Włóż białka do miski, aby uzyskać maksymalnie 24 jajka. Włącz prędkość 4-6 i miksuj około 5 minut, aż będzie sztywna. Czas mieszania uzależniony jest od wielkości jaj.

Dla bitej śmietany: włóż co najmniej 250 ml świeżej śmietany (schłodzonej uprzednio w lodówce przez co najmniej 8 godzin). Mieszaj z prędkością 4 do 6 przez około 5 minut. Nie przekraczać ilości ½ wysokości miski nalanej świeżej śmietany, aby zachować wystarczająco dużo miejsca na bitą śmietaną.

#### SPOSÓB UŻYCIA: funkcja mielenia

1. Pokrój wszystkie produkty spożywcze na kawałki (zaleca się wołowinę lub wieprzowinę bez ścięgien, kości i tłuszczu, w przybliżeniu o wymiarach: 20 mm x 20 mm x 60 mm), tak aby z łatwością zmieściły się w rurce do mielenia (17).
2. Podłącz urządzenie i włącz, a następnie obróć pokrętkę regulacji prędkości (8) na prędkość 4-6.
3. Włóż żywność do tacy do mielenia (16). Użyj do tego tylko plastikowego popychacza (6).
4. Po użyciu wyłącz urządzenie i odłącz je od zasilania.
5. Używaj nie dłużej niż 4 minuty bez przerwy.
6. Urządzenie wyposażone jest w 3 sita z otworami o średnicy 3mm, 5mm i 7mm, dobierz odpowiednią płytkę otworową do pożądanej potrawy.
  - Sitko 3 mm – drobne oczka do mielenia na dość zwartą jednolitą konsystencję. Doskonale nadaje się do farszów i pasztetu.
  - Sitko 5 mm – średnie oczka do mielenia mięsa na kotlety mielone, burgery, pulpety oraz nadzienia do pierogów, naleśników i tortilli. Używając tego sitka zmielisz również warzywa, twarde ser a nawet orzechy.
  - Sitko 7 mm – grube oczka do mielenia mięsa o wyrazistej strukturze. Sitko przeznaczone jest do wyrobu kielbas i podrobów.

#### URZĄDZENIE ZABEZPIECZAJĄCE PRZED PRZEGRZANIEM

Urządzenie wyłączy się automatycznie po 15 minutach ciągłej pracy w celu ochrony silnika przed przegrzaniem. Przed kolejnym użyciem należy odłączyć urządzenie i pozwolić mu ostygnąć. Urządzenie po schłodzeniu będzie działać normalnie.

#### CZYSZCZENIE I KONSERWACJA

1. Przed czyszczeniem urządzenia upewnij się, że przewód zasilający jest odłączony od gniazdka elektrycznego, a pokrętkę regulacji prędkości znajduje się w pozycji „0”. Przed czyszczeniem poczekaj, aż urządzenie ostygnie.
2. Zdemontuj wszystkie akcesoria z obudowy silnika (2). Nie czyść akcesoriów zamontowanych na zespole napędowym urządzenia.
3. Do czyszczenia obudowy silnika (2) nie używaj agresywnych detergentów, gdyż może to spowodować usunięcie graficznych symboli informacyjnych takich jak: podziałka, oznakowanie, znaki bezpieczeństwa itp.
4. Nie myj metalowych części w zmywarce. Agresywne środki czyszczące stosowane w zmywarkach powodują, że metalowe części stają się czarne. Umyj metalowe części ręcznie przy użyciu tradycyjnego płynu do mycia naczyń. Użyj miękkiej szczoteczki.
5. Wytrzyj części zewnętrzne ręcznikiem kuchennym lub miękką ściereczką.
6. Nie używaj materiałów ściernych do czyszczenia urządzenia.
7. Nie zanurzaj obudowy silnika (2) w wodzie lub innych płynach.

#### DANE TECHNICZNE

Zasilanie: 220-240V ~50/60Hz

Moc: 1200 W

Maksymalna moc: 2200 W

Miska ze stali nierdzewnej 7 litrów

Maksymalny czas pracy w jednym cyklu: 15 minut.

Minimalny czas odpoczynku między cyklami: co najmniej 10 minut



# AFTER SALE SERVICE NOTICE

|     |  |
|-----|--|
| GB  | If you want to buy spare parts or make any complaints, please contact the seller who issued the receipt directly.  |
| DE  | Wenn Sie Ersatzteile kaufen oder reklamieren möchten, wenden Sie sich bitte direkt an den Verkäufer, der die Quittung ausgestellt hat.                       |
| FR  | Si vous souhaitez acheter des pièces de rechange ou faire des réclamations, veuillez contacter directement le vendeur qui a émis le reçu.                    |
| ES  | Si desea comprar repuestos o presentar alguna queja, comuníquese directamente con el vendedor que emitió el recibo.  |
| PT  | Se você quiser comprar peças de reposição ou fazer alguma reclamação, entre em contato diretamente com o vendedor que emitiu o recibo.                       |
| LT  | Jei norite įsigyti atsarginių dalių ar pateikti nusiskundimų, susisiekiite tiesiogiai su kvitą išdavusiu pardavėju.  |
| LV  | Ja vēlaties iegādāties rezerves daļas vai izteikt pretenzijas, lūdzu, sazinieties tieši ar pārdevēju, kurš izsniedza čeku.                                   |
| EST | Kui soovite osta varuosia või esitada pretensioone, võtke otse ühendust kvitungi väljastanud müüjaga.  |
| HU  | Ha pótalkatrészeket szeretne vásárolni, vagy panaszt szeretne tenni, forduljon közvetlenül a bizonylatot kiállító eladóhoz.                                  |
| BS  | Ako želite kupiti rezervne dijelove ili napraviti reklamaciju, obratite se direktno prodavaču koji je izdao račun.   |
| RO  | Если вы хотите купить запчасти или предъявить какие-либо претензии, пожалуйста, свяжитесь напрямую с продавцом, выдавшим чек.                                |
| CZ  | Chcete-li zakoupit náhradní díly nebo uplatnit jakoukoli reklamaci, kontaktujte přímo prodejce, který účtenku vystavil.                                      |
| RU  | Дacă doriți să cumpărați piese de schimb sau să faceți vreo reclamație, vă rugăm să contactați direct vânzătorul care a emis chitanța.                       |
| GR  | Εάν θέλετε να αγοράσετε ανταλλακτικά ή να κάνετε οποιαδήποτε παράπονα, επικοινωνήστε απευθείας με τον πωλητή που εξέδωσε την απόδειξη.                       |
| MK  | Ako sakate da kupite rezervne delovni ili da podnesete kakvi bilo poplaki, kontaktirajte direktno sa prodavacot koj ja izdao smetkata.                       |
| NL  | Als u reserveonderdelen wilt kopen of een klacht wilt indienen, neem dan rechtstreeks contact op met de verkoper die de bon heeft afgegeven.                 |
| SL  | Če želite kupiti nadomestne dele ali vložiti reklamacije, se obrnite neposredno na prodajalca, ki je izdal račun.  |
| FI  | Jos haluat ostaa varaosia tai tehdä valituksia, ota yhteyttä suoraan kuitin antaneeseen myyjään.   |
| PL  | W przypadku chęci zakupu części zamiennych lub zgłoszenia ewentualnych reklamacji należy kontaktować się bezpośrednio ze sprzedawcą, który wystawił paragon. |
| IT  | Se desidero acquistare pezzi di ricambio o presentare reclami, contatta direttamente il venditore che ha emesso la ricevuta.                                 |
| HR  | Se desidero acquistare pezzi di ricambio o presentare reclami, contatta direttamente il venditore che ha emesso la ricevuta.                                 |
| SV  | Om du vill köpa reservdelar eller göra några reklamationer, vänligen kontakta säljaren som utfärdat kvittot direkt.  |
| DK  | Hvis du ønsker at købe reservedele eller reklamere, bedes du kontakte sælgeren, som har udstedt kvitteringen, direkte.                                       |
| UA  | Якщо ви хочете придбати запчастини або подати будь-які претензії, зверніться безпосередньо до продавця, який видав чек.                                      |
| SR  | Ako želite da kupite rezervne delove ili da uložite reklamaciju, obratite se direktno prodavcu koji je izdao račun.  |
| SK  | Ak si chcete kúpiť náhradné diely alebo uplatniť akúkoľvek reklamáciu, kontaktujte priamo predajcu, ktorý účtenku vystavil.                                  |
| AR  | يأيدتق وأ رايغ عطق ءارش في بعر ذ تنك اذفر شابم لاصيلا رصا يذلا عبايلاب لاصيلا لجر في ، يو كشر  |
| BG  | Ako iscate da zakupite rezervni chasti ili da napravite oplakvanja, molja, svържете се директно с продавача, който е издал касовата бележия.                 |
| AZ  | Ehtiyat hissələri almaq və ya hər hansı şikayət etmək istəyirsinizsə, qəbzı verən satıcı ilə birbaşa əlaqə saxlayın.   |
| ALB | Nëse dëshironi të blini pjesë këmbimi ose të bëni ndonjë ankesë, ju lutemi kontaktoni drejtpërdrejt shitësin që ka lëshuar faturën.                          |
| KA  | თუ გსურთ სათადარიგო ნაწილების შეძენა ან რაიმე პრეტენზია, გთხოვთ დაუკავშირდეთ გამყიდველს, რომელმაც გასცა ქვითარი პირდაპირ.                                    |